



SUBARU

INSTALLATION INSTRUCTIONS

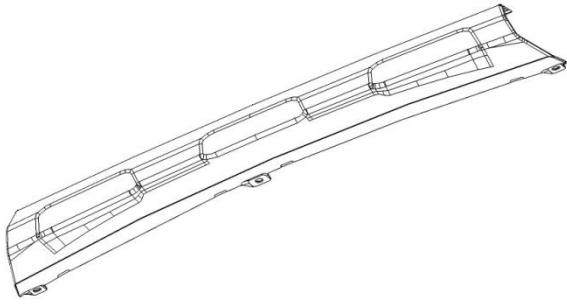
PART NUMBER:

57734AN04A

DESCRIPTION:

Front Bumper Under Guard

KIT CONTENTS:



OPTIONAL ITEMS:

You may be able to reuse existing parts



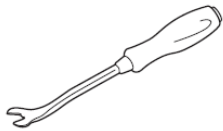
1x Clip
90914007



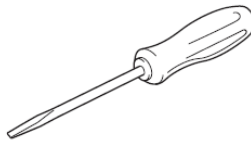
2x Clip
909140063

TOOLS REQUIRED:

Clip Remover



Flathead Screwdriver

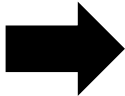


or

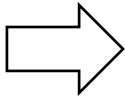
Soap



MEANING OF CHARACTERS:



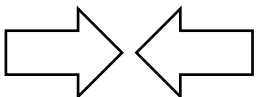
:Remove



:Install



:Disconnect



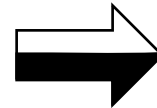
:Connect



:Location of Clip
or Screw

T

:Tightening Torque



:Loosen



:Discard



:Reuse

DESCRIPTION:

Front Bumper Under Guard

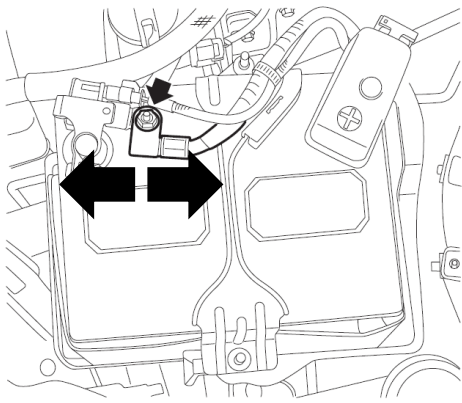
ISSUE: 00

DATE: April 2022

SUBARU OF AMERICA

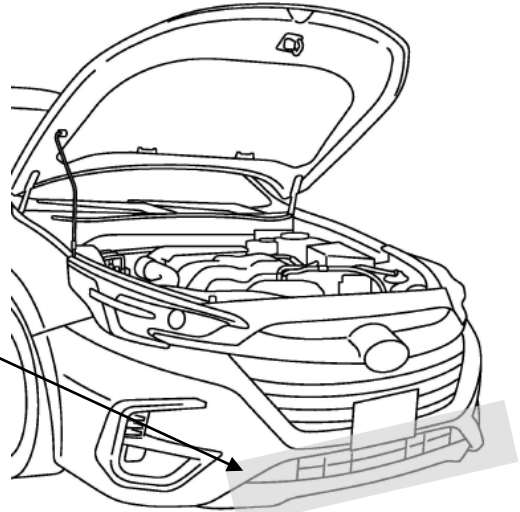
PAGE 1

1

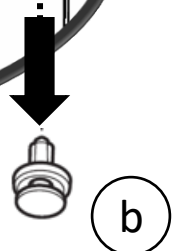
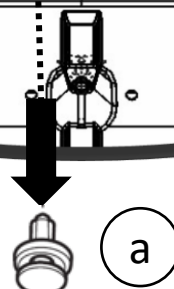
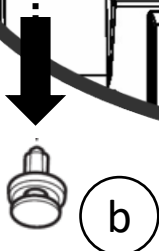
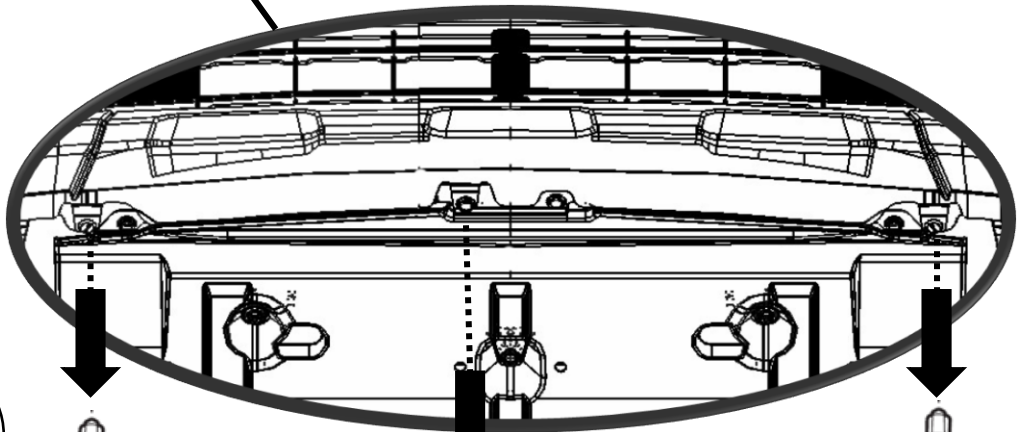
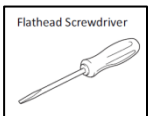
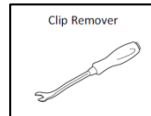
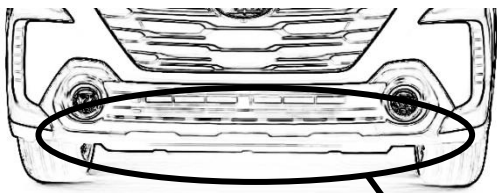


Disconnect the ground cable from battery.

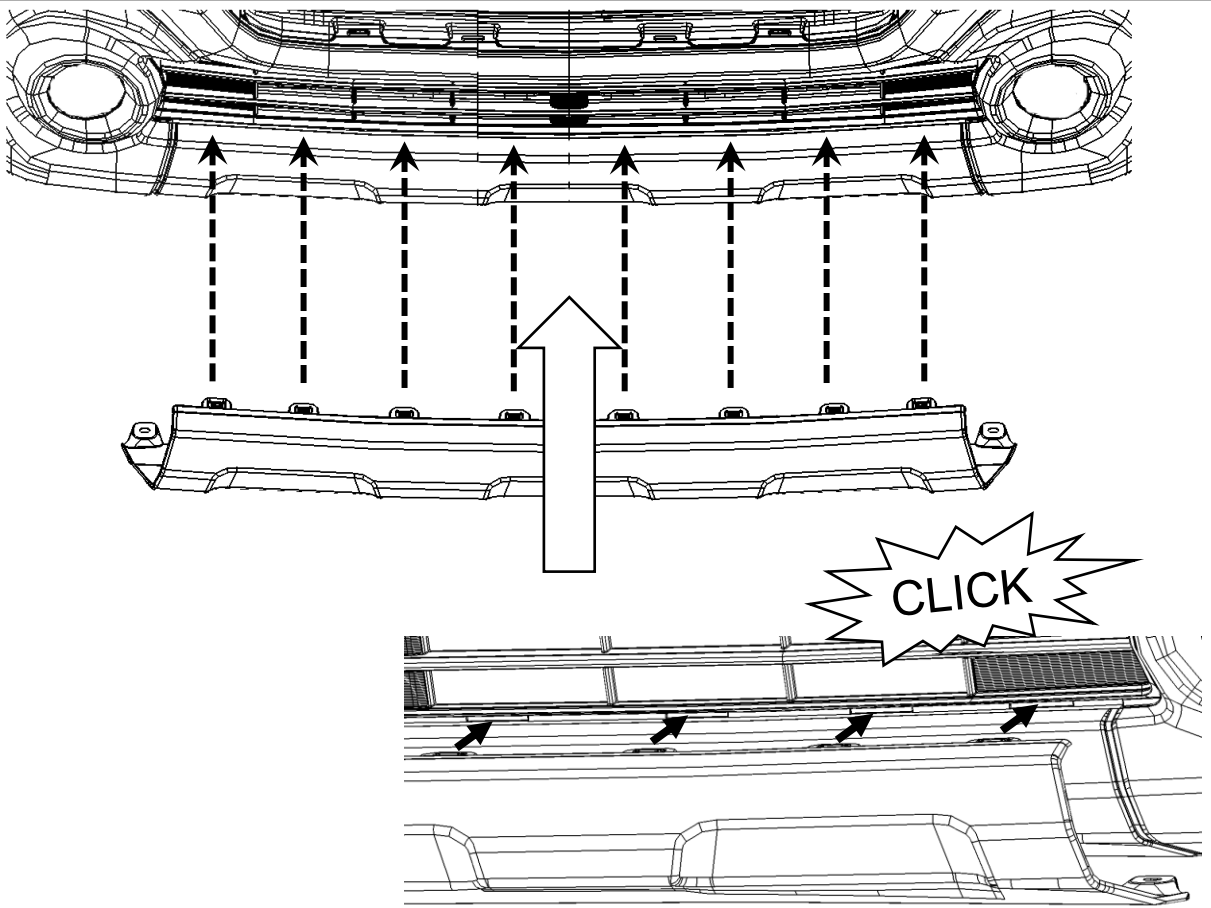
2



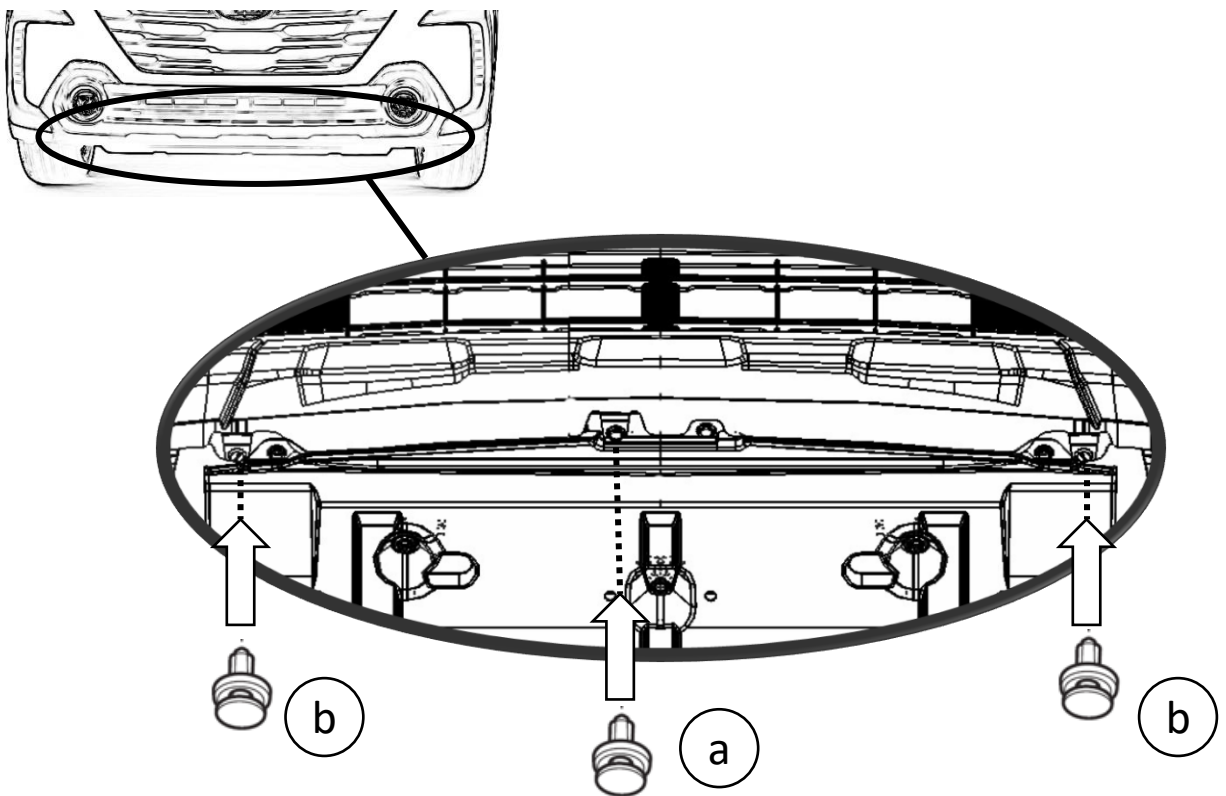
3

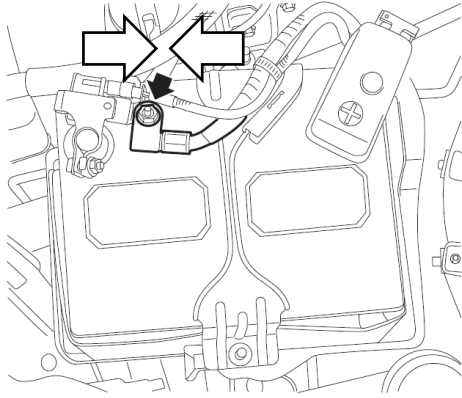


4



5





Connect the ground cable from battery.