



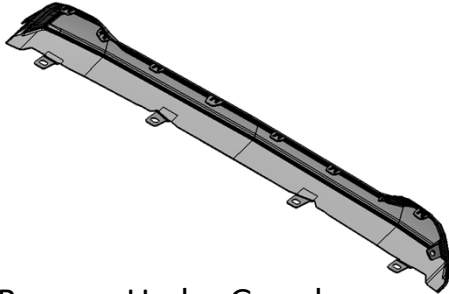
SUBARU

INSTALLATION INSTRUCTIONS

PART NUMBER: 57734SJ080

DESCRIPTION: Forester Front Bumper Under Guard

KIT CONTENTS:



1x Front Bumper Under Guard

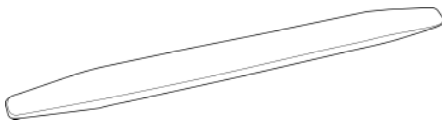
OPTIONAL ITEMS:

Reuse existing parts



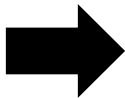
24x Clip
909140007

TOOLS REQUIRED:

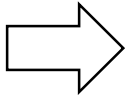


Plastic Trim Tool

MEANING OF CHARACTERS:



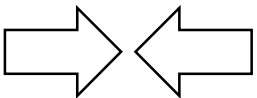
:Remove



:Install



:Disconnect



:Connect



:Location of Clip
or Screw

T

:Tightening Torque



:Loosen

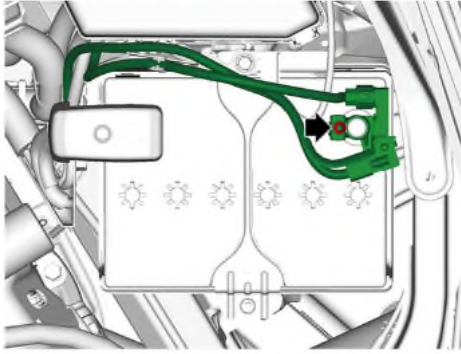


:Discard



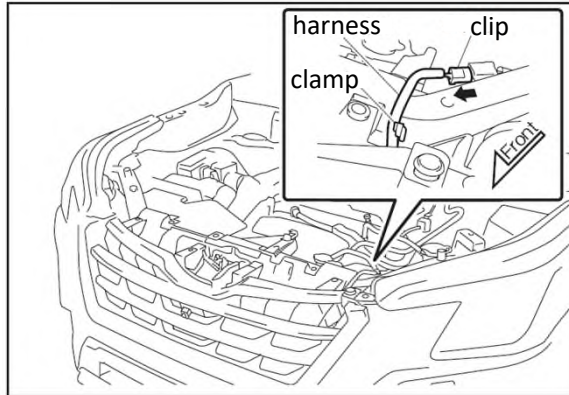
:Reuse

1 Disconnect the ground cable from battery.

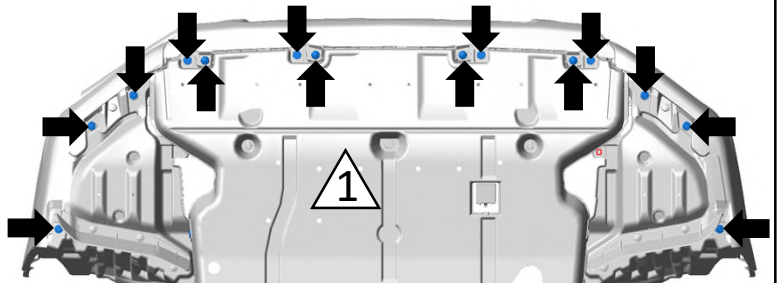
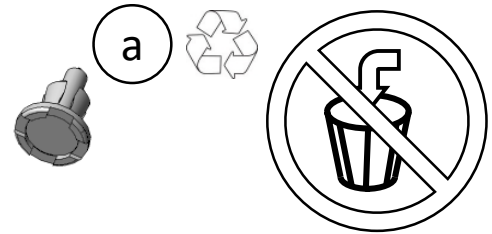
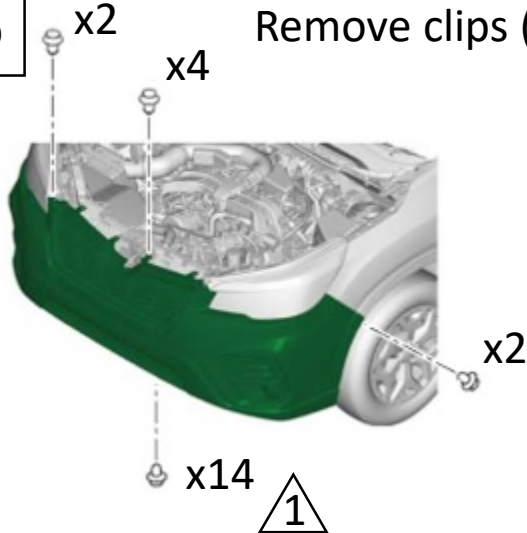


2 Remove Front Bumper

2a Disconnect Front Camera (if applicable)

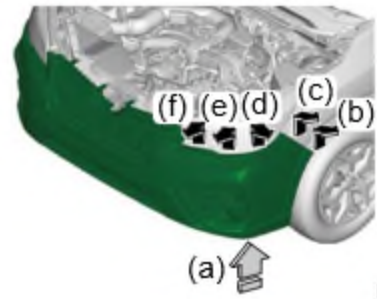


2b Remove clips (22x)



2c Separate Front Bumper from Body

While pushing up the lower side (a) of the bumper face front, release the engagement in the order from (b) to (f).



2d Disconnect the fog light connect (if applicable). Both sides



2e Remove the bumper face front while pulling up the center part of the bumper

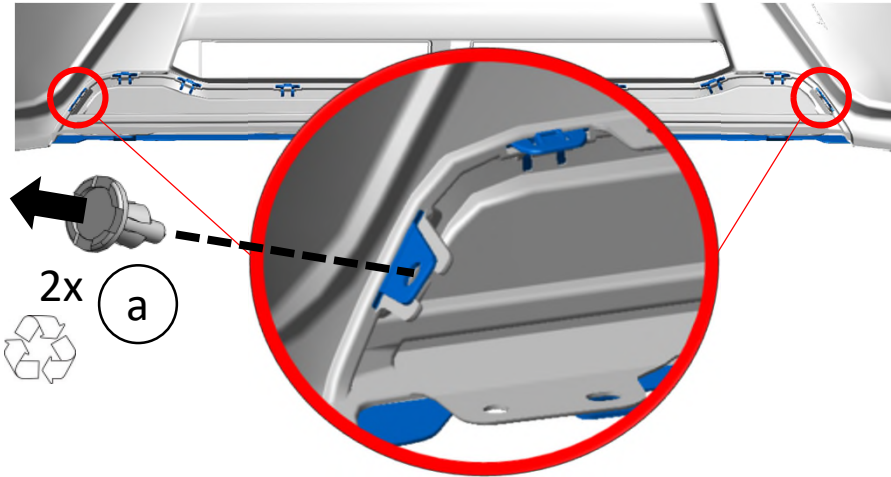


3

Separate Front Bumper Under Guard from Front Bumper

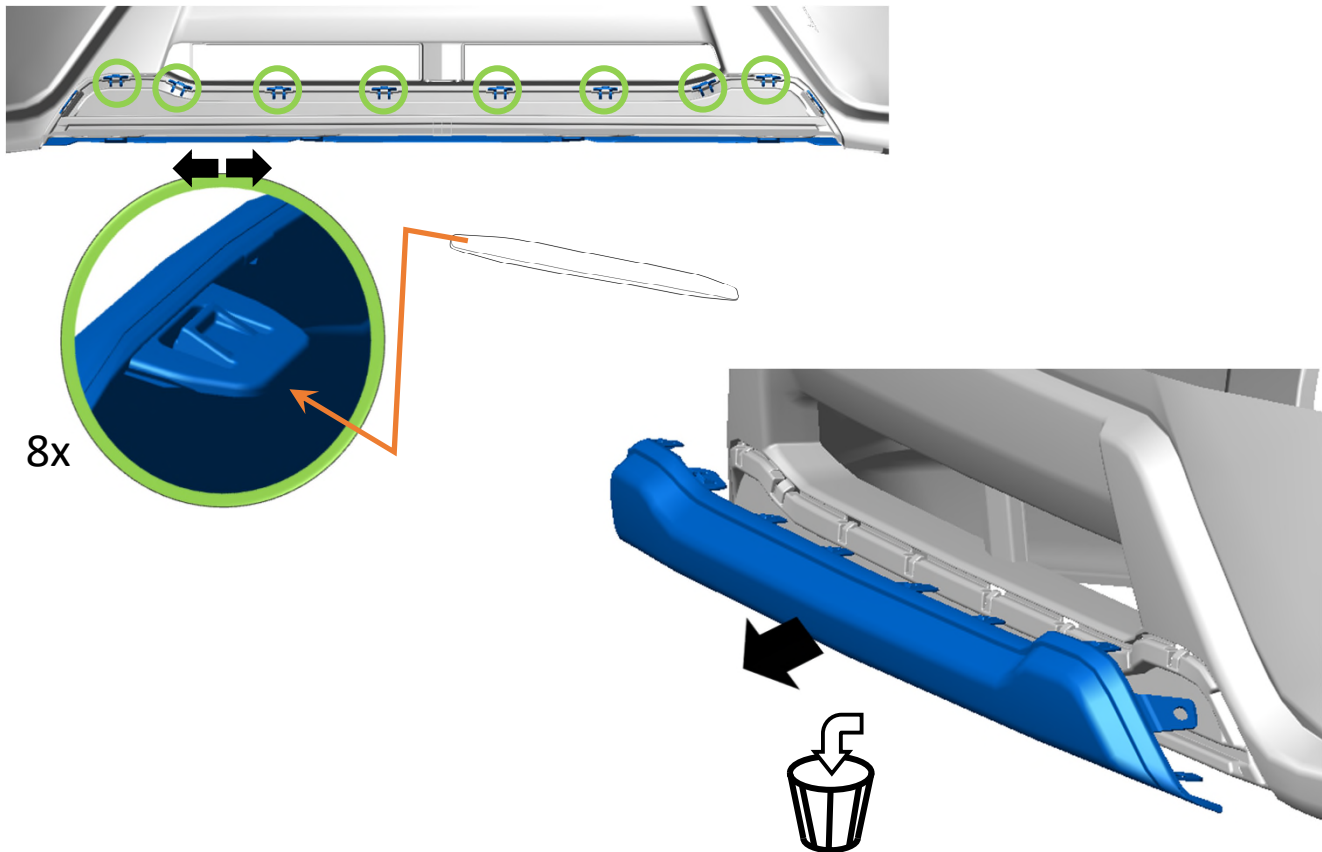
3a

Remove push clips



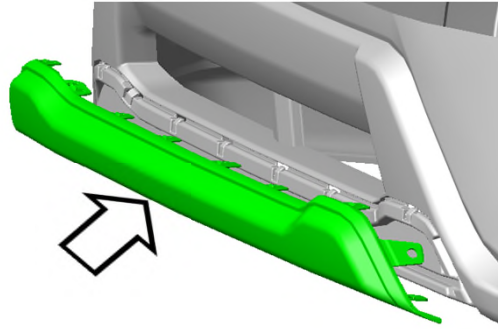
3b

Release clips and remove



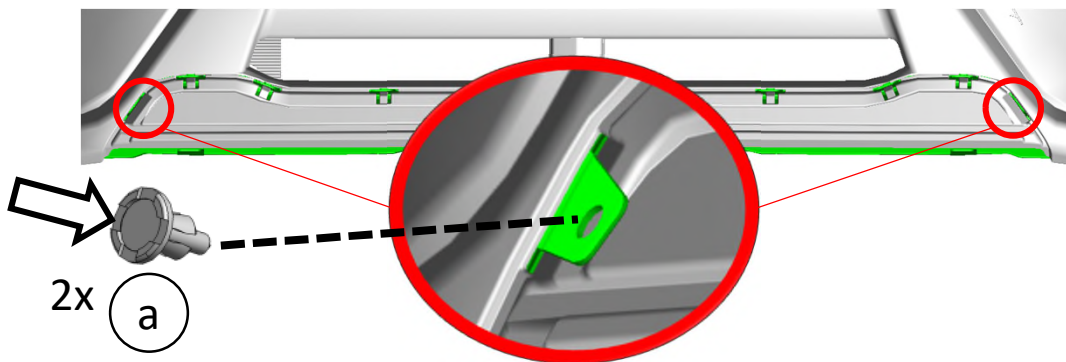
4

Install new Front Bumper Under Guard



4a

Insert Clips



5

Install Front Bumper – See step 2 through 2e (reversed)

6

Connect ground cable from battery

