

**SUBARU****INSTALLATION  
INSTRUCTIONS****HOOD DEFLECTOR  
FORESTER  
E231SSA000****Kit Contents**

1 x Deflector



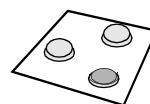
4 x Long Self Tapping Screws



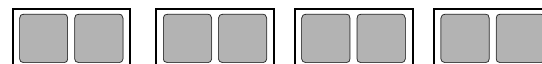
4 x Plastic Screwplugs



3 x Spare Bumpons (Clear)



8 x Small Anti-abrasion Tape Pads (yellow backing)



1 x Alcohol Wipe



2 x Outer Metal Brackets



2 x Inner Metal Brackets



2 x Large Anti-abrasion Tape



2 x Small Anti-abrasion Tape



2 x Outer Bracket Screwplugs



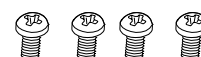
4 x Fibre Washers



2 x Outer Bracket Metal Washers



4 x Black Screws



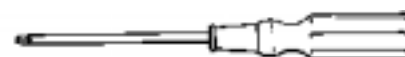
4 x Plastic Nut Inserts



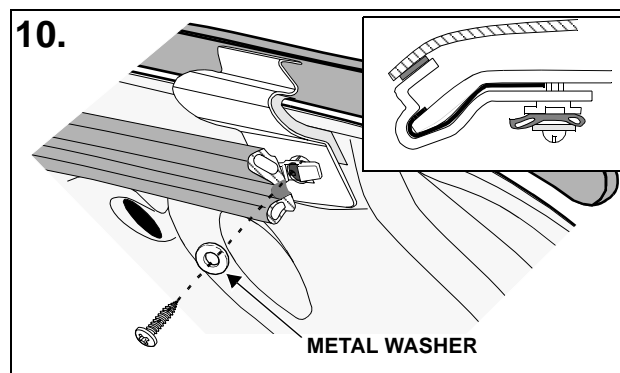
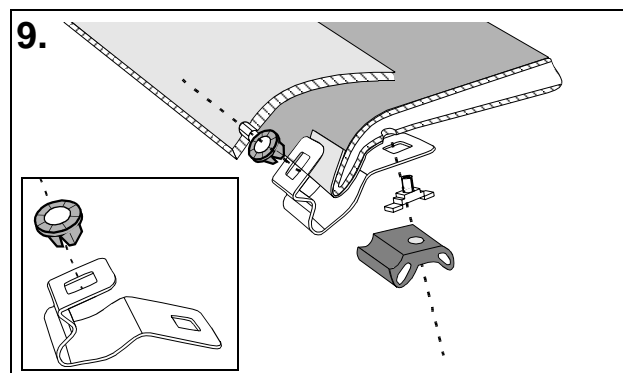
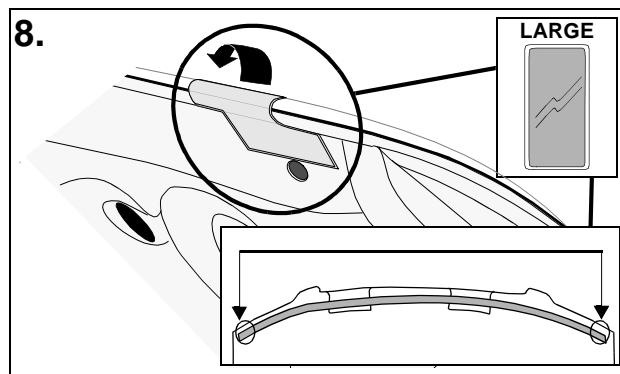
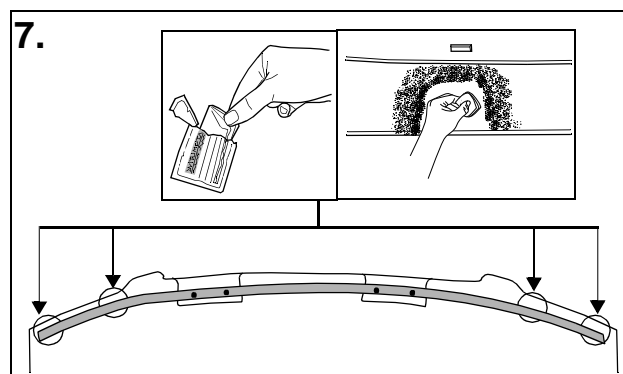
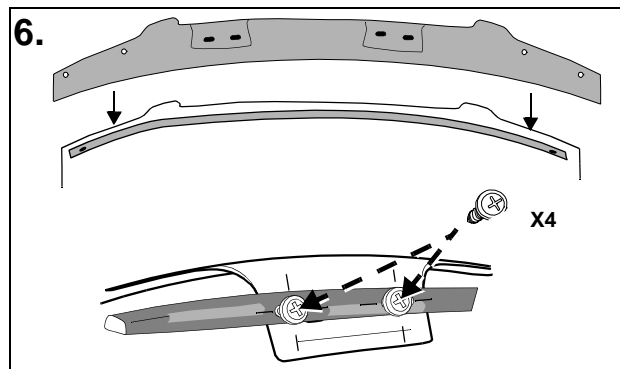
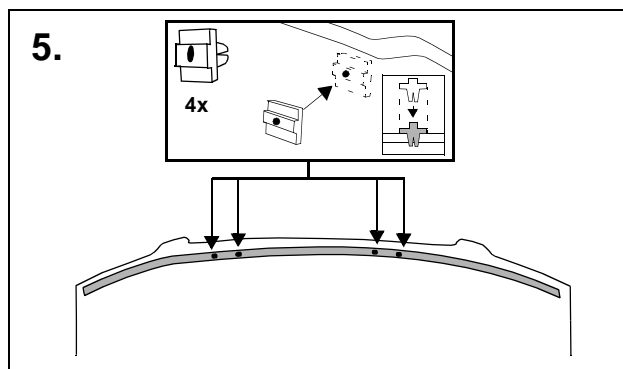
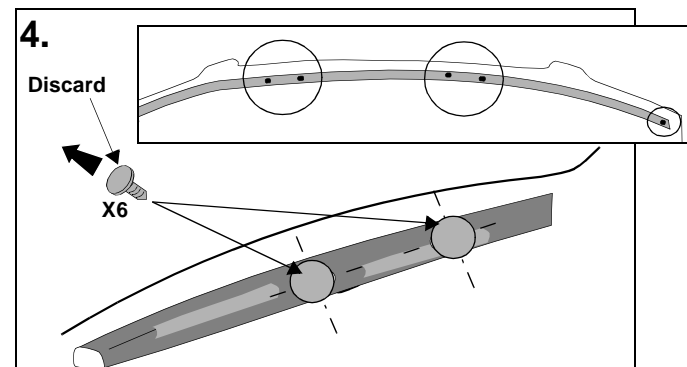
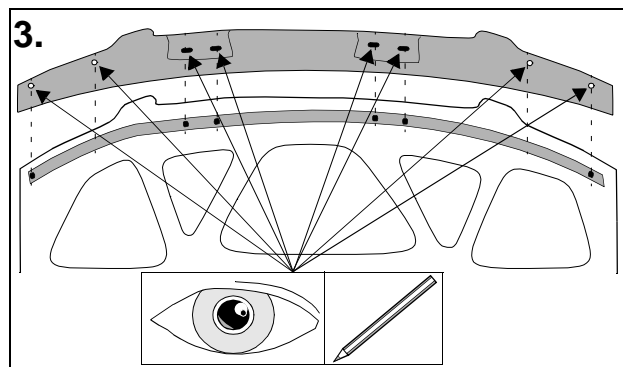
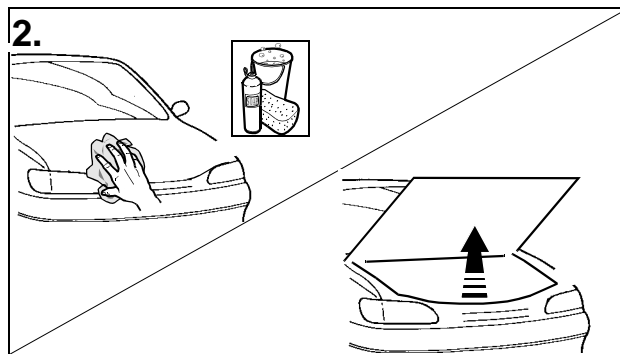
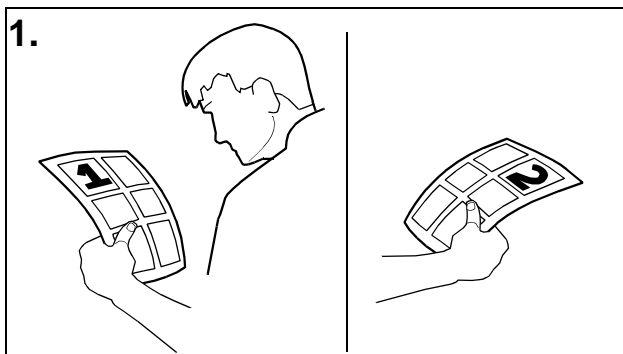
2 x Outer Bracket Self Tapping Screws

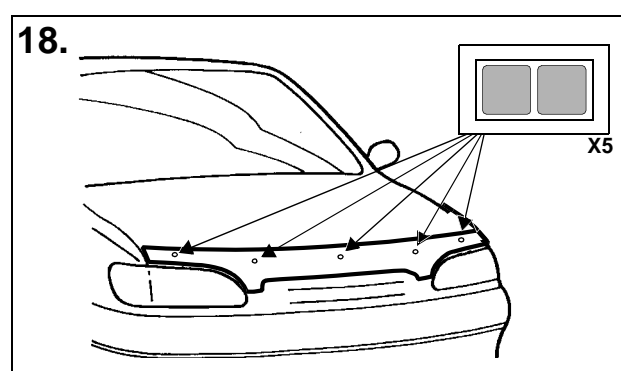
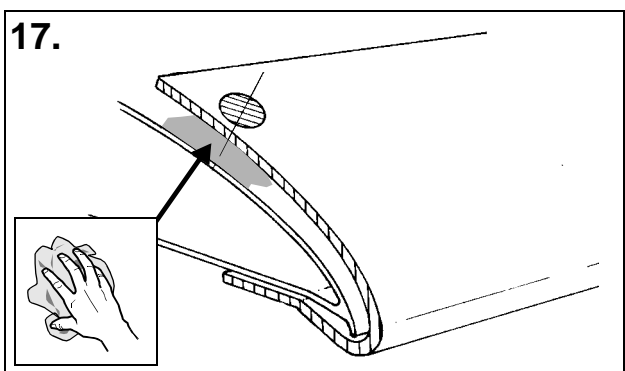
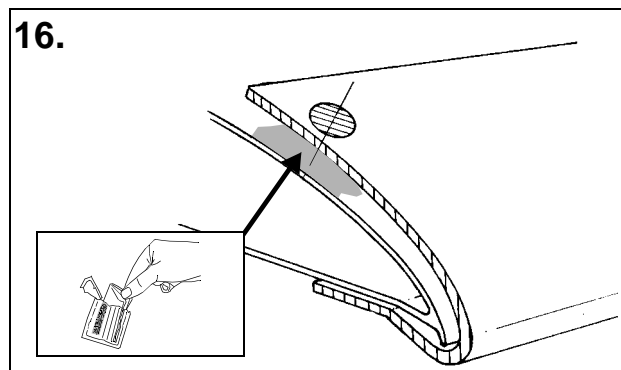
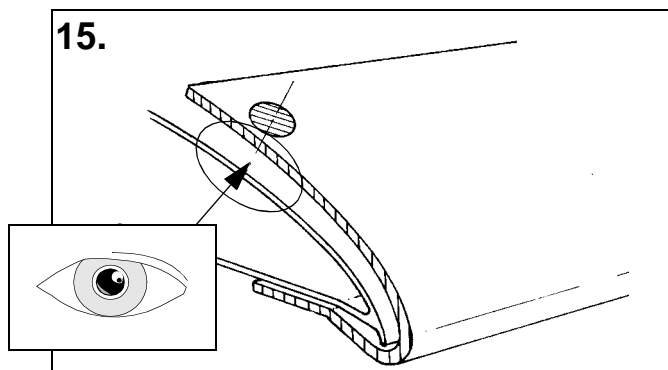
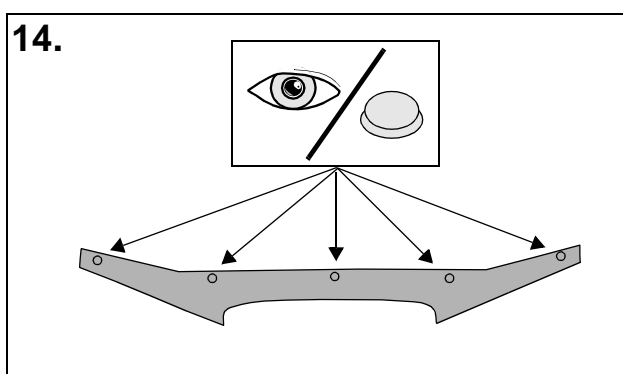
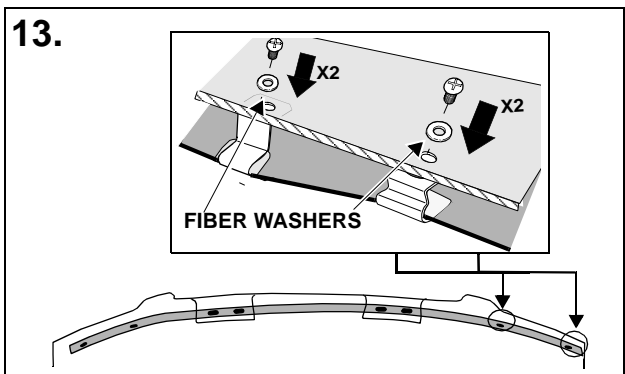
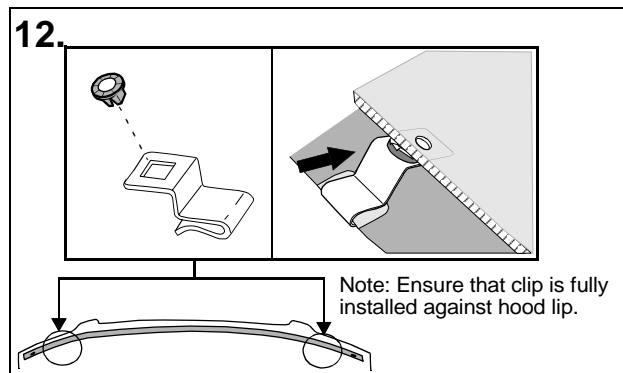
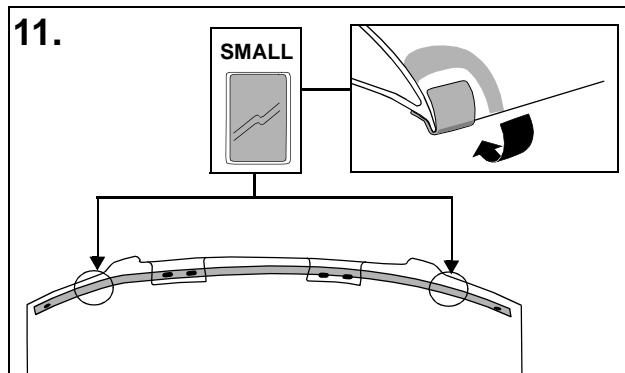
**Tools Required**

Phillips head screwdriver

**IMPORTANT NOTES**

- DO NOT USE SOLVENT BASED CLEANERS ON HOOD DEFLECTOR.
- DO NOT USE LOCTITE ON DEFLECTOR ATTACHING SCREWS.
- USE SOAP AND WATER ONLY TO CLEAN HOOD DEFLECTOR.





**!**  
**DO NOT USE** solvent based cleaners on hood deflector.  
**USE** soap and water only to clean hood deflector.

