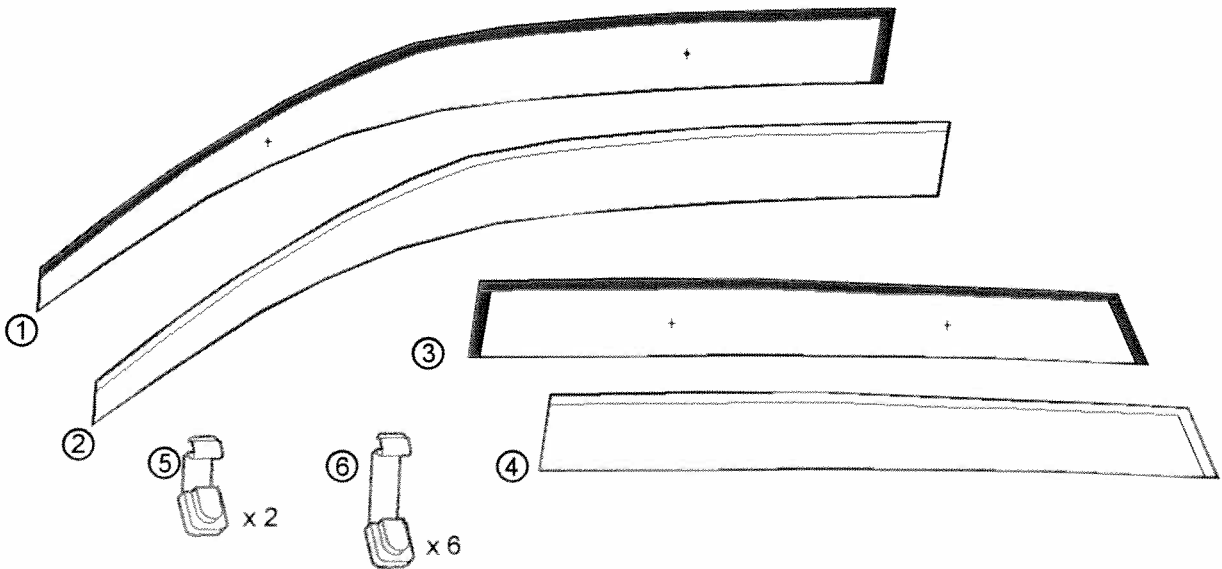
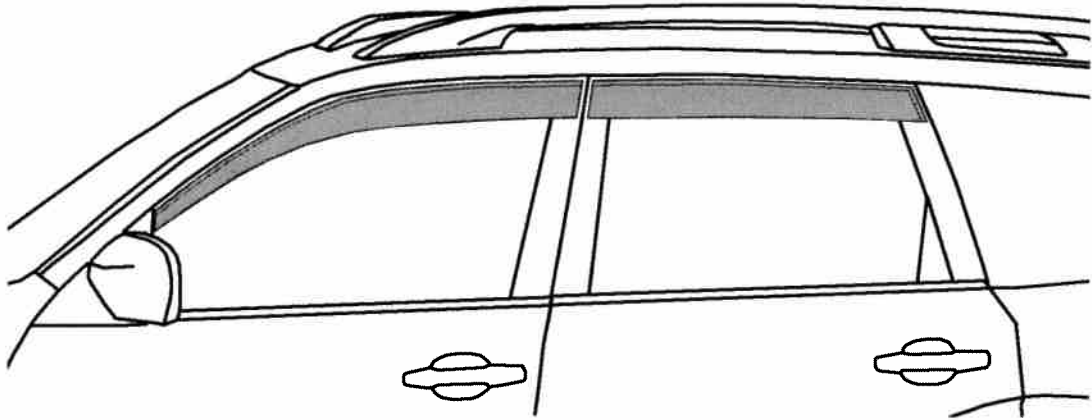




SUBARU

FORESTER SIDE WINDOW DEFLECTOR INSTALLATION INSTRUCTION

PART NUMBER: E3610SC200



Gloves



Rag



Isopropyl
alcohol



Hair dryer /
heat gun

CAUTION

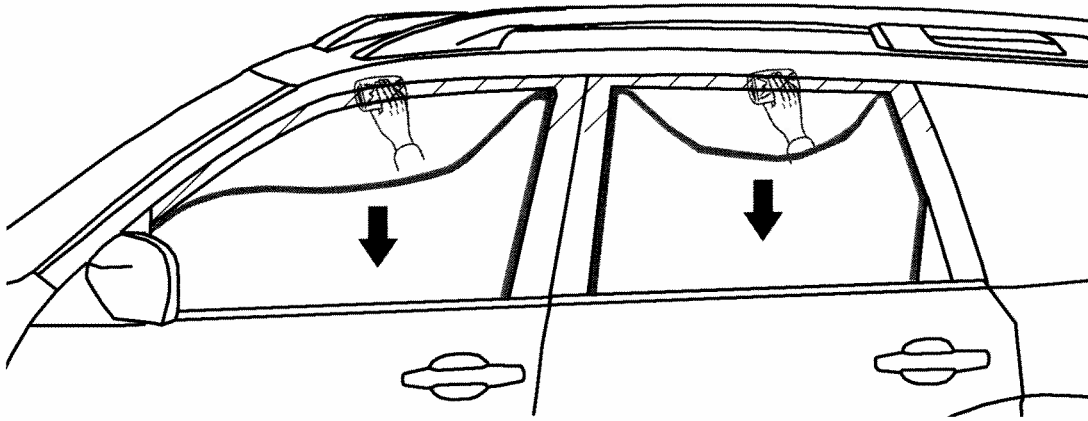
Side window deflectors may not be legal in all states.
Please check the laws of your state.

Never use gasoline, thinner, acid, alkali, or other organic solvent



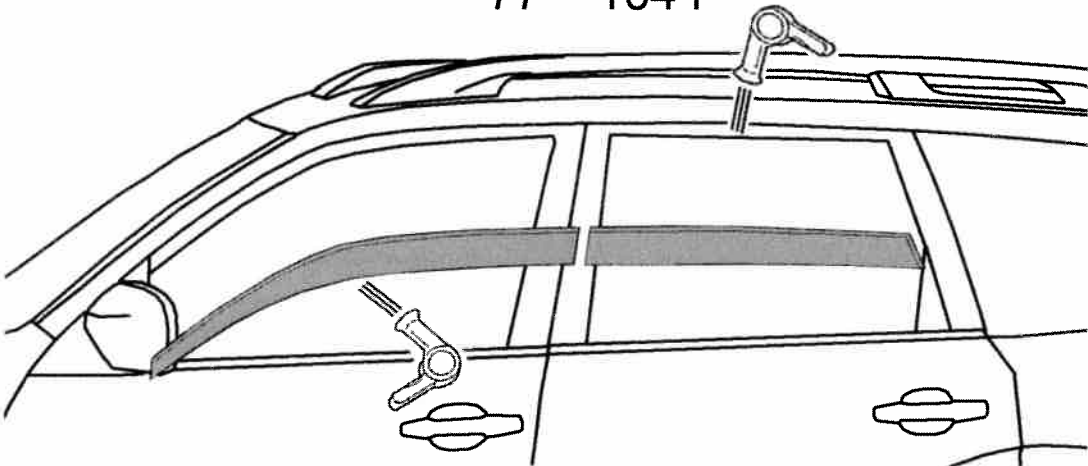
1

Pull down run channel gasket in middle area of each window.
Clean where deflector will contact door using isopropyl alcohol and rag.



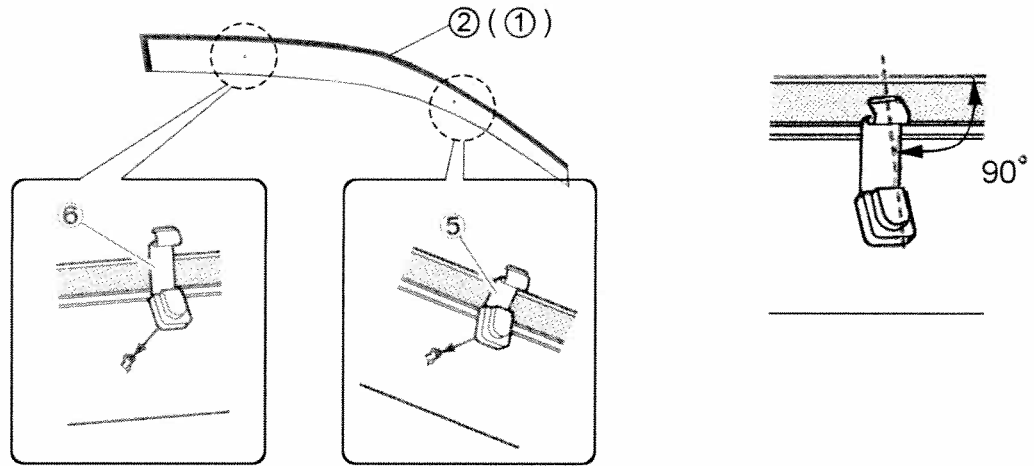
2

77 ~ 104 F



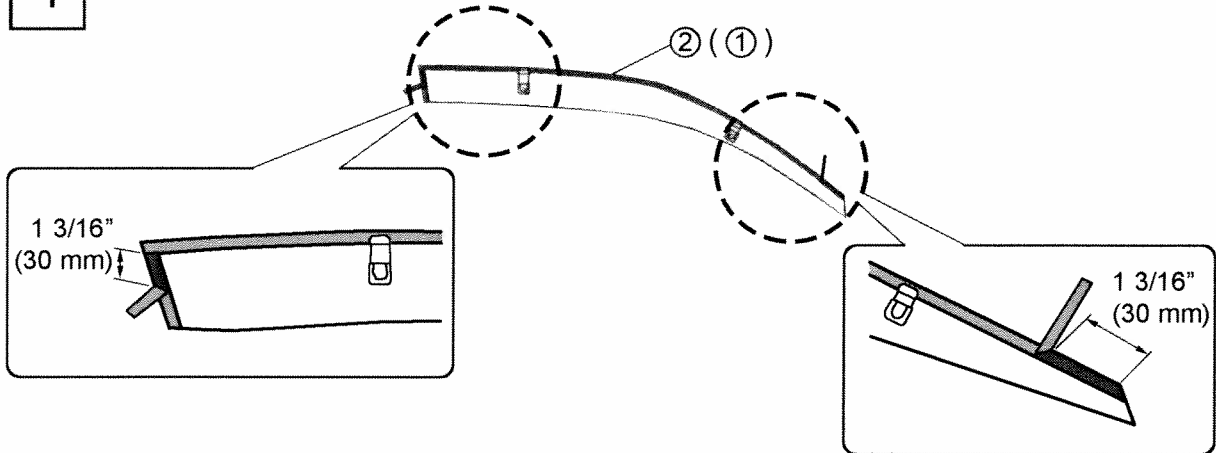
3

Install clips onto front side window deflector. Install short clip (5) at front of front side window deflector as shown. Install long clip (6) at rear of front side window deflector. Clips must be perpendicular to the edge of the deflector.



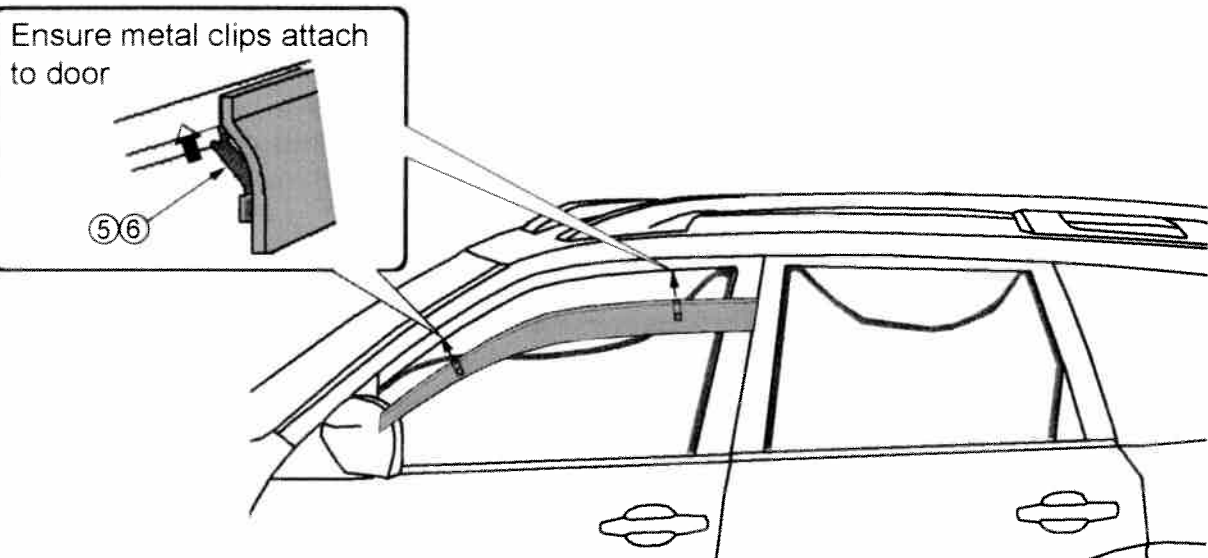
4

Pull tape backing approximately 1 3/16" (30 mm) as shown.



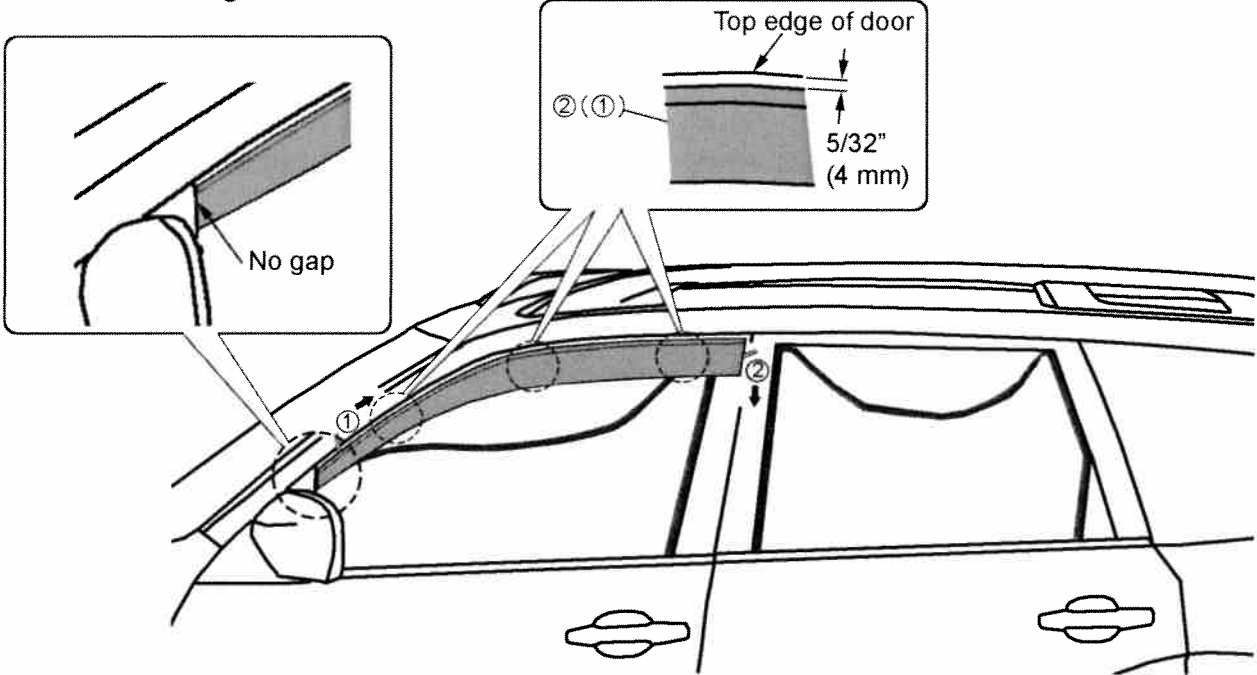
5

Install the front side window deflector making sure the metal clips (5 and 6) attach to the door.



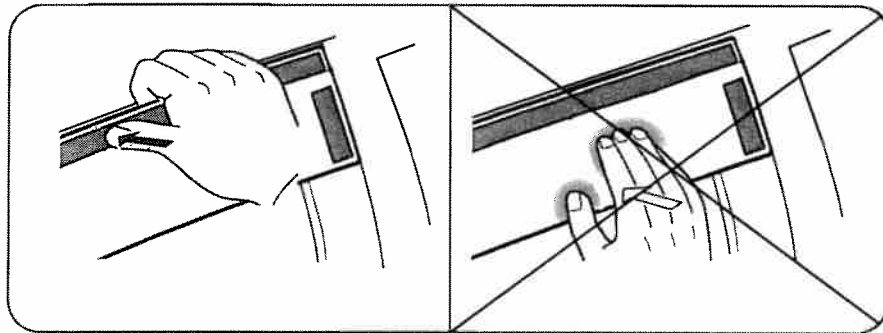
6

Check for proper alignment of side window deflector with door. Pull tape backing in order shown.



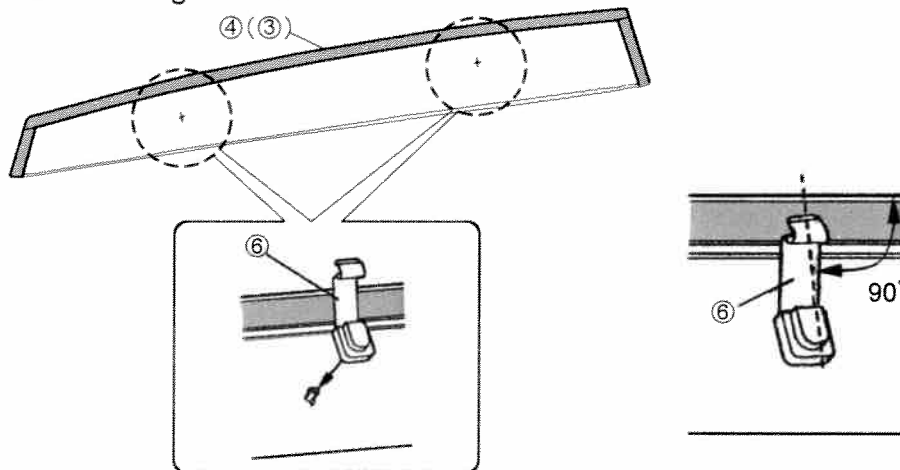
7

Apply firm pressure (approximately 12 lbs) on deflector blade directly over tape area. Do not attempt to seat the tape by pushing on lower portion of the deflector.



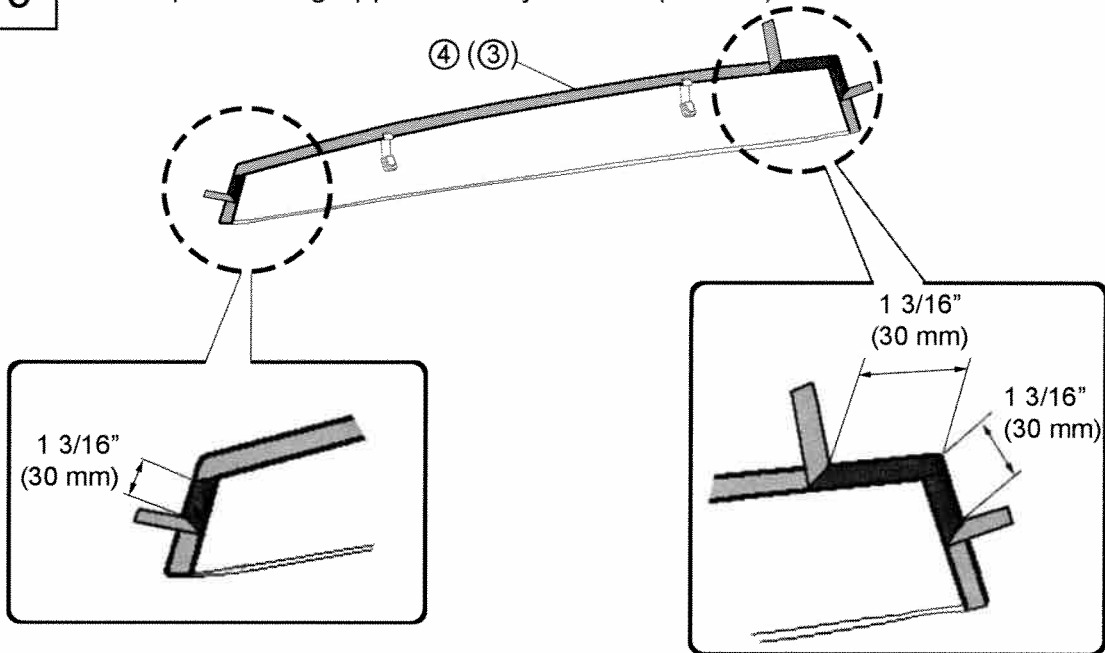
8

Install two long clips (6) onto rear side window deflector as shown. Clips must be perpendicular to edge of deflector.



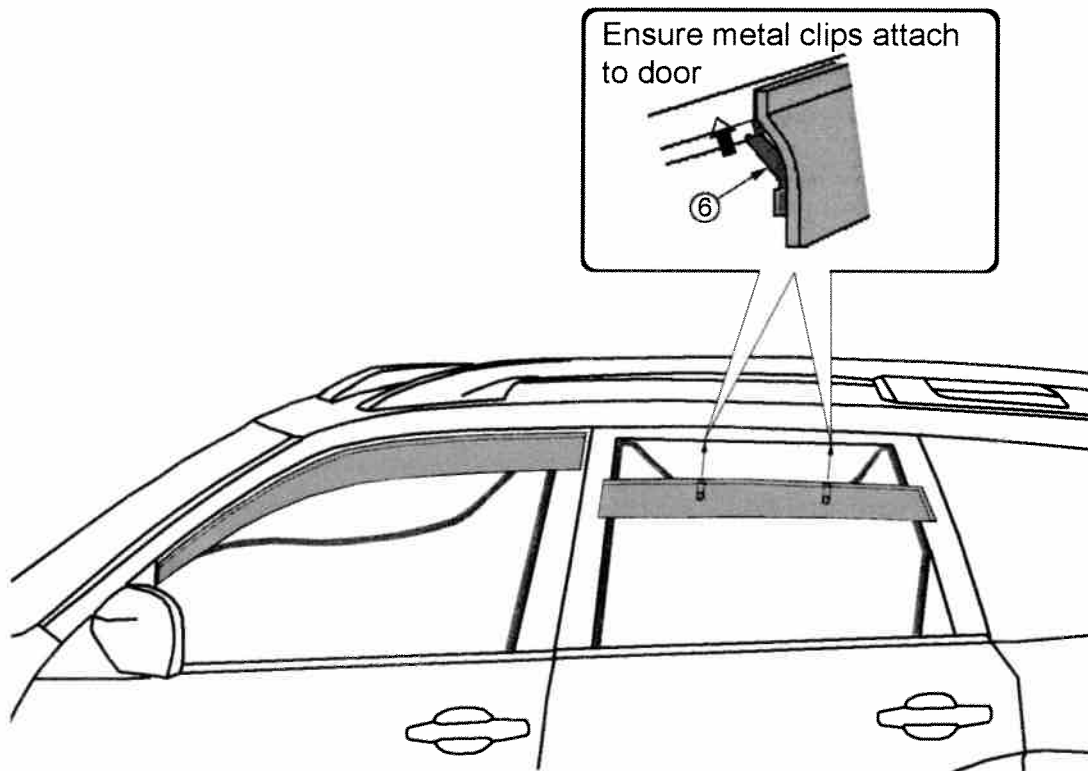
9

Pull tape backing approximately 1 3/16" (30 mm) as shown.

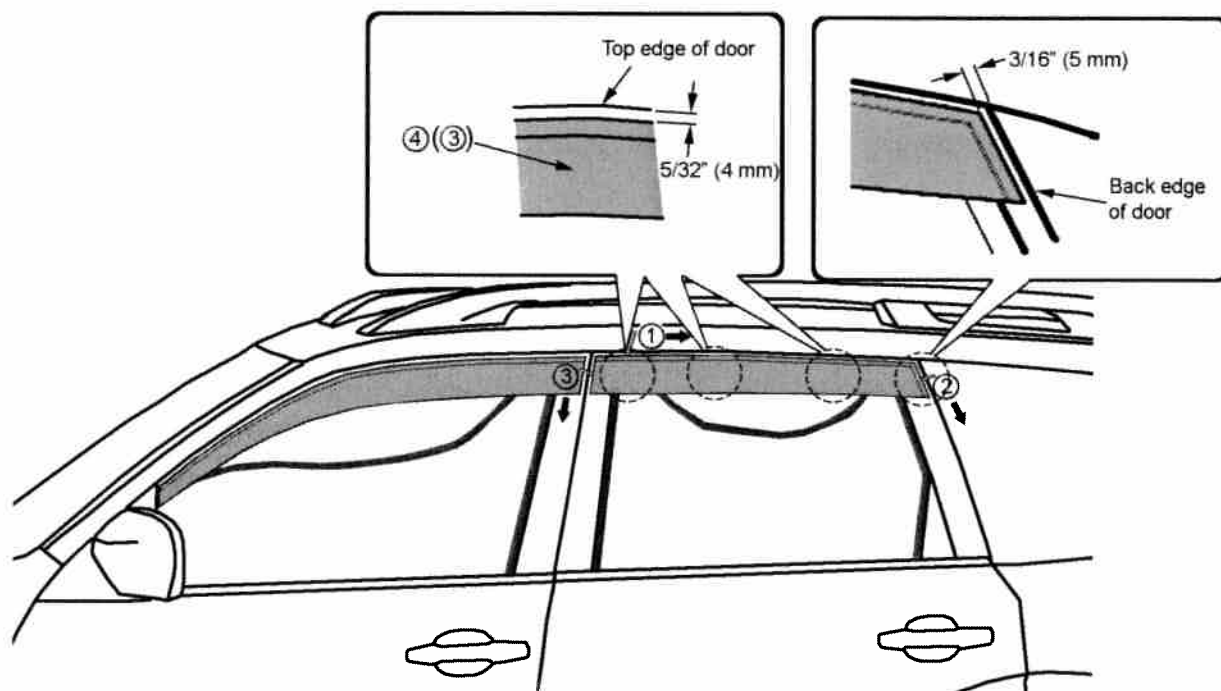


10

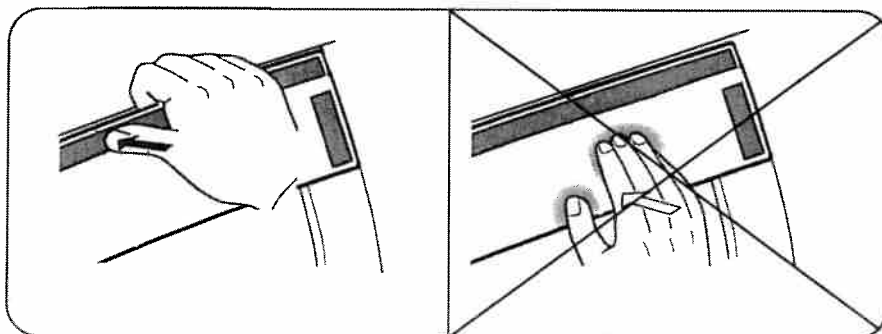
Install the rear side window deflector making sure the metal clips (6) attach to the door.



- 11** Check for proper alignment of the rear side window deflector with door as shown. Pull tape backing in order shown.



- 12** Apply firm pressure (approximately 12 lbs) on deflector blade directly over tape area. Do not attempt to seat the tape by pushing on lower portion of the deflector.



- 13** Reinstall the front and rear run channel gaskets. Visually check for proper gasket installation.

