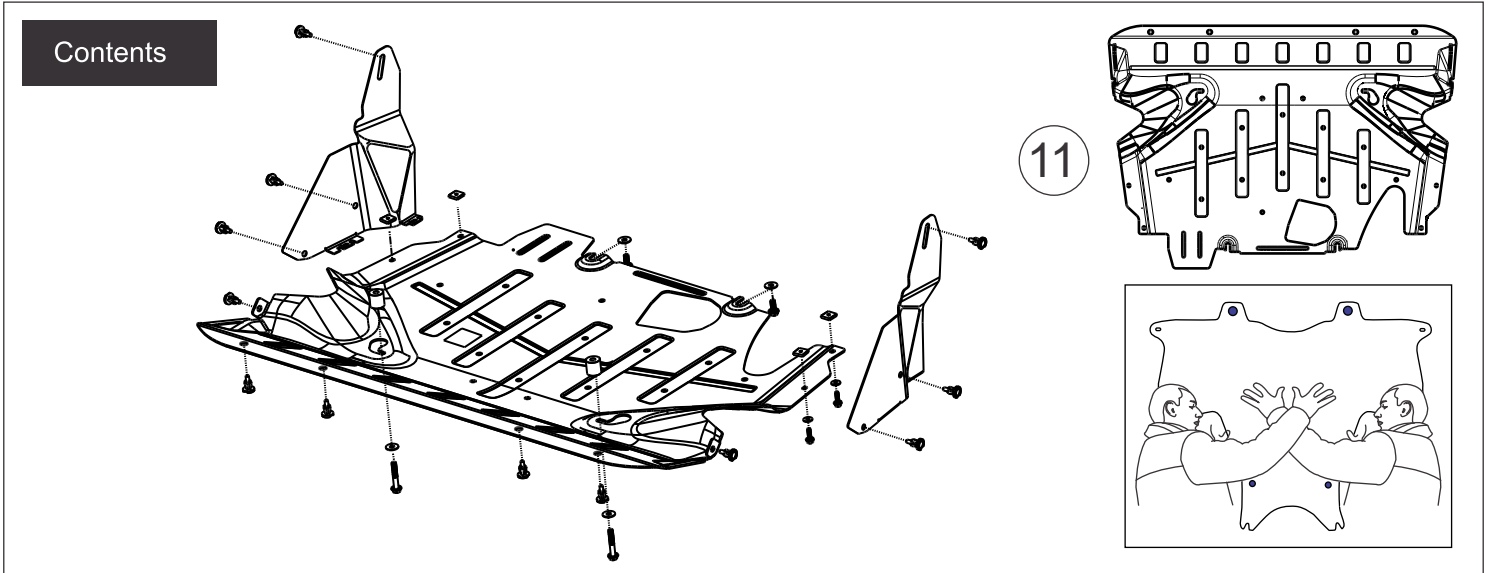
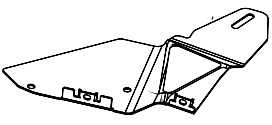
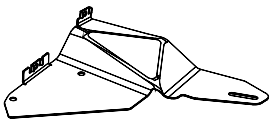
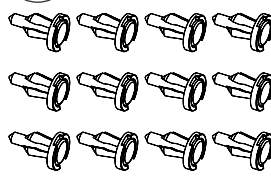
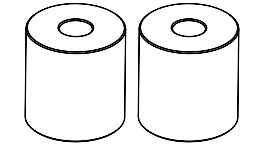
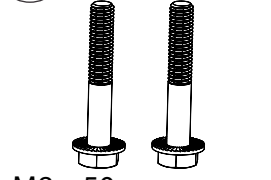
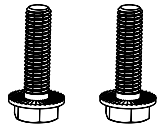
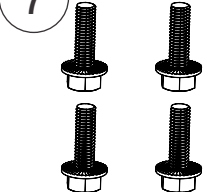
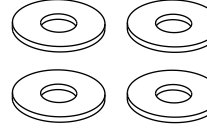
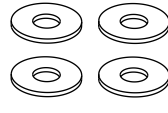
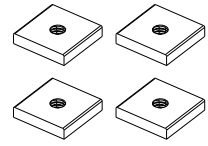


Description :
Part number :

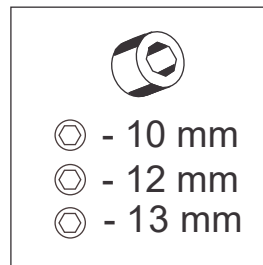
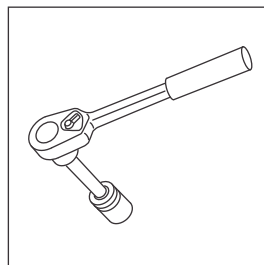
ENGINE UNDER GUARD
E515SSL000

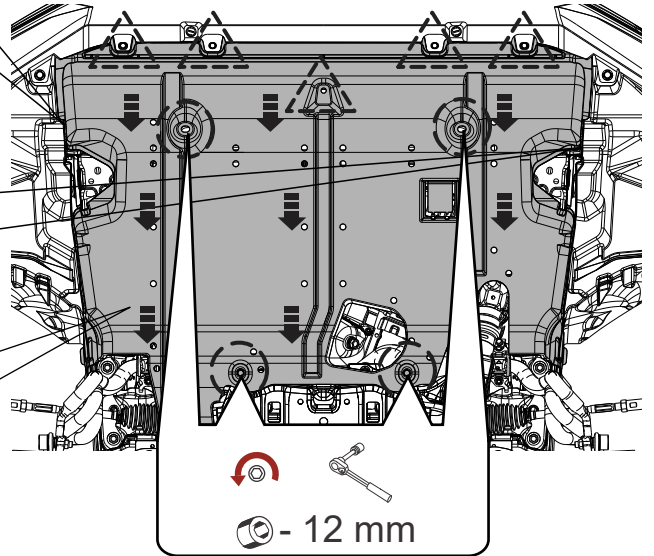
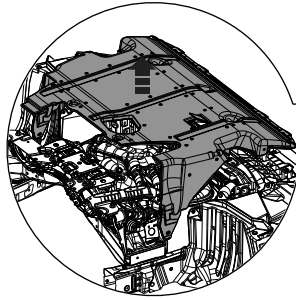
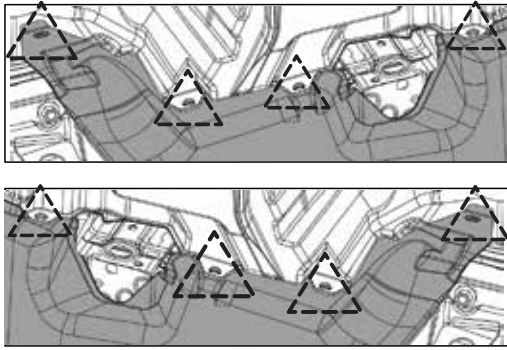
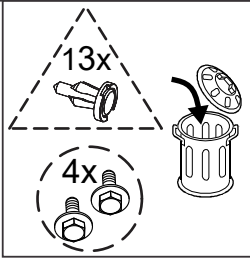


Fitting kit:

<p>1</p>  <p>1 x</p>	<p>2</p>  <p>1 x</p>	<p>3</p>  <p>12 x</p>	<p>4</p>  <p>2 x</p>	<p>5</p>  <p>M8 x 50 2 x</p>
<p>6</p>  <p>M8x20 2 x</p>	<p>7</p>  <p>M6 x 20 4 x</p>	<p>8</p>  <p>∅8 4 x</p>	<p>9</p>  <p>∅6 4 x</p>	<p>10</p>  <p>M6 4 x</p>

Tools Required:

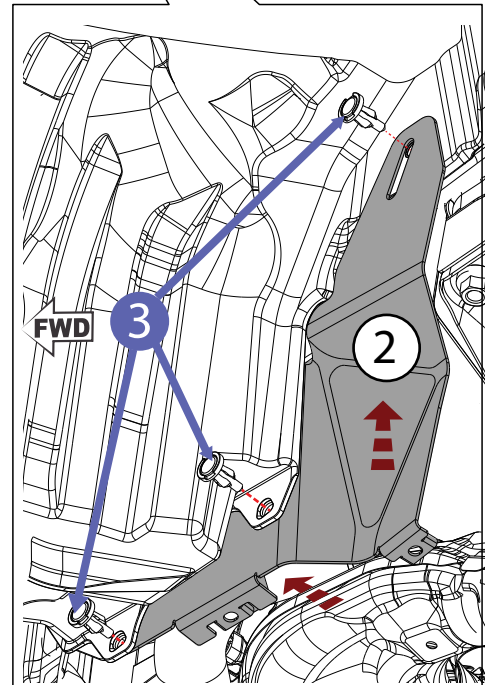
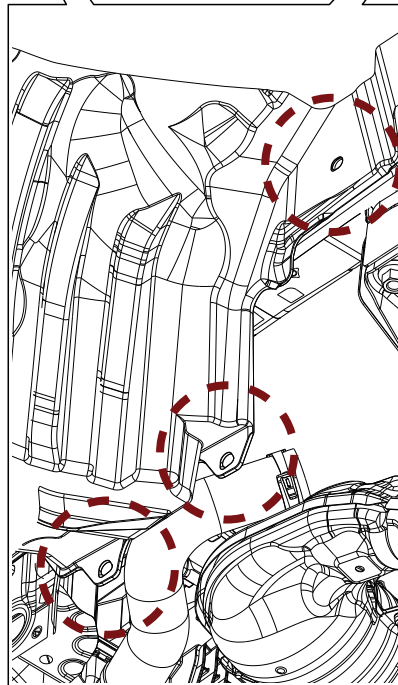
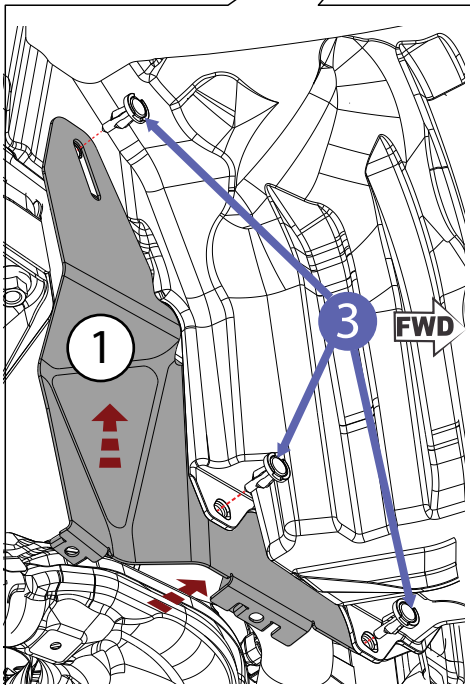
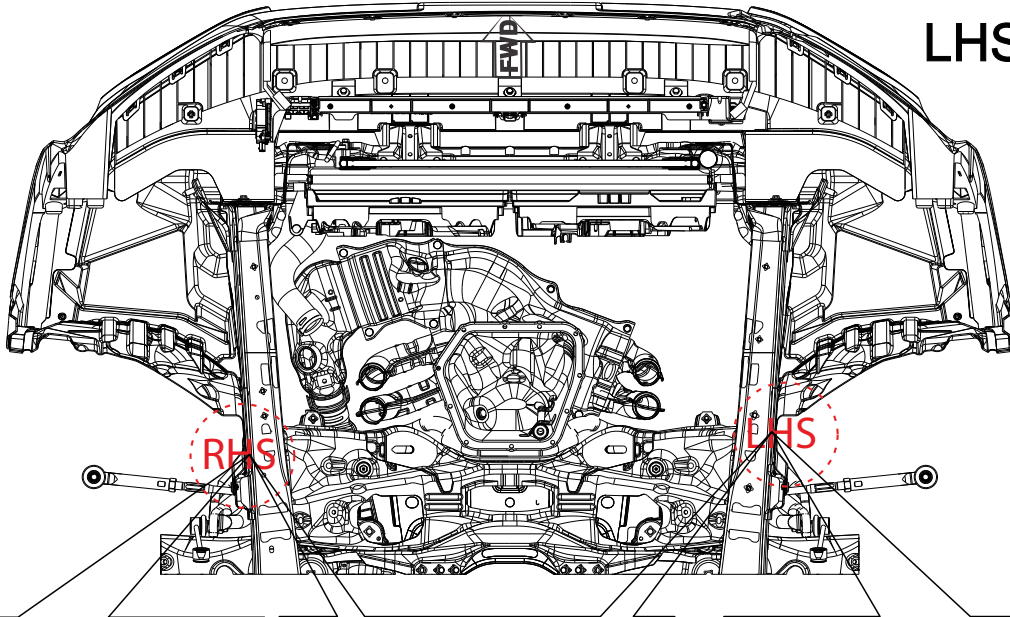




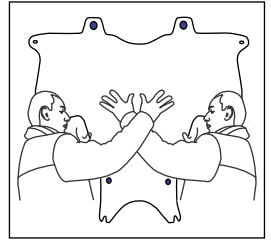
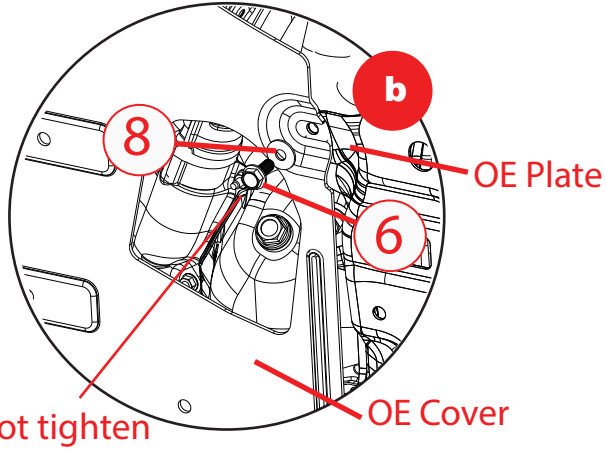
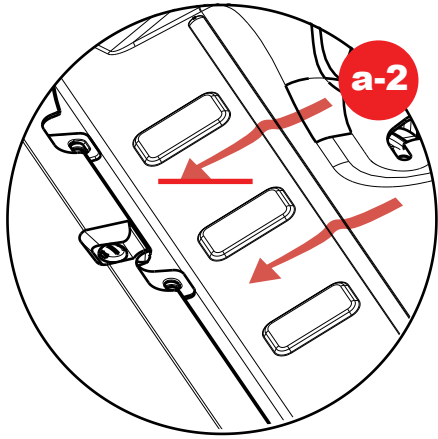
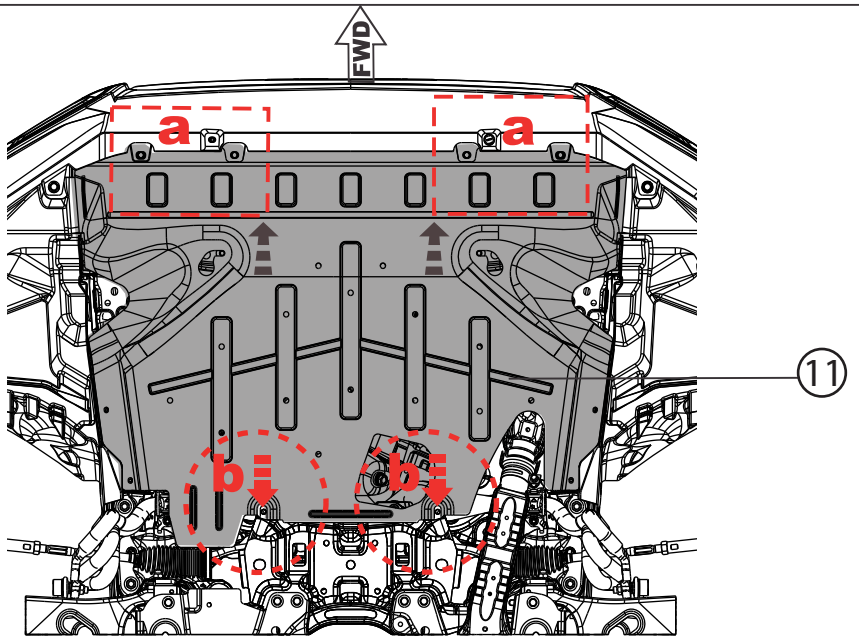
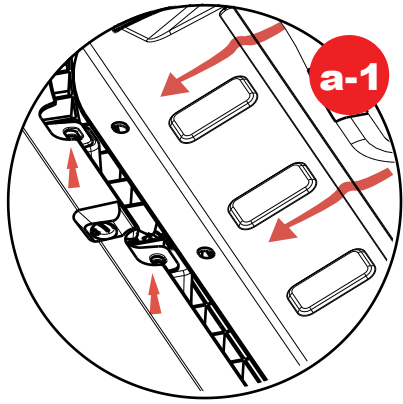
1

Remove the OE Cover

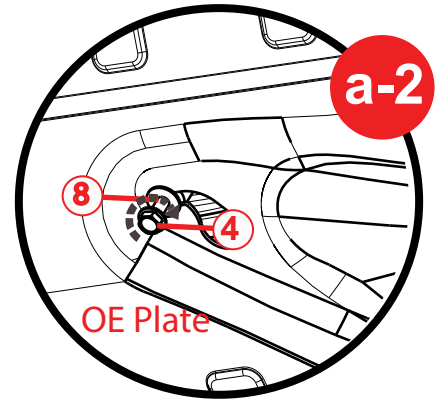
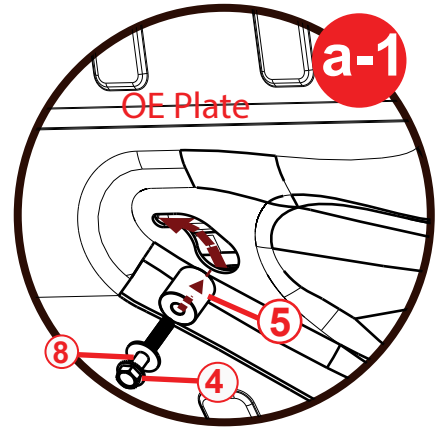
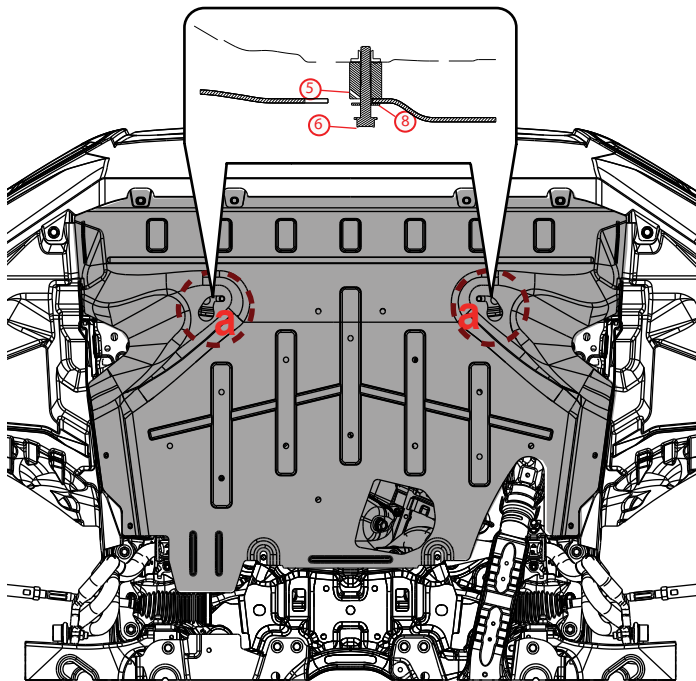
LHS&RHS



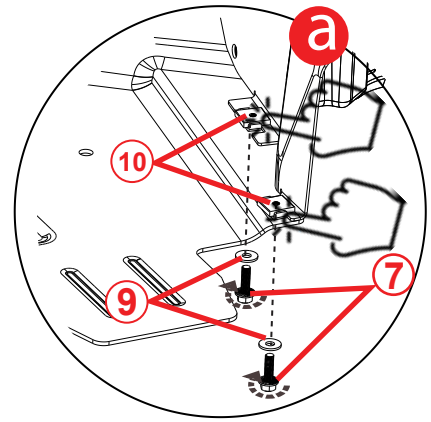
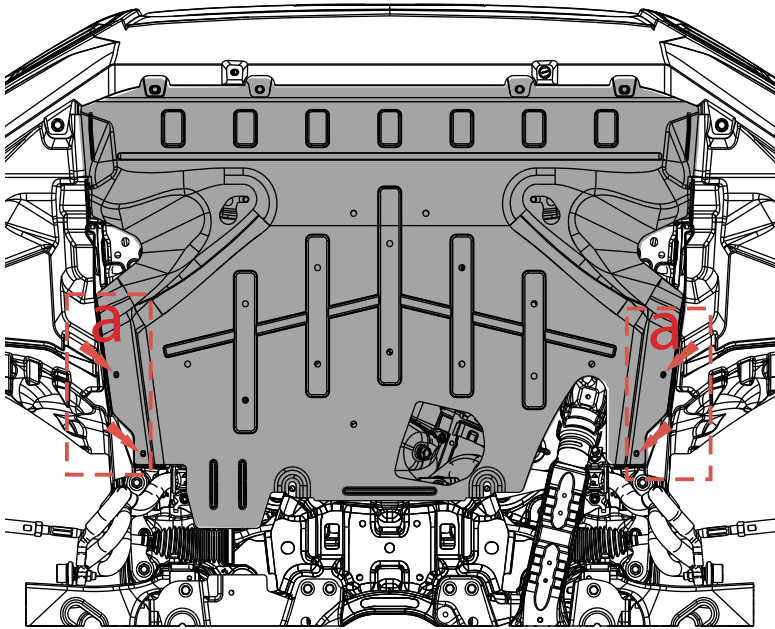
2



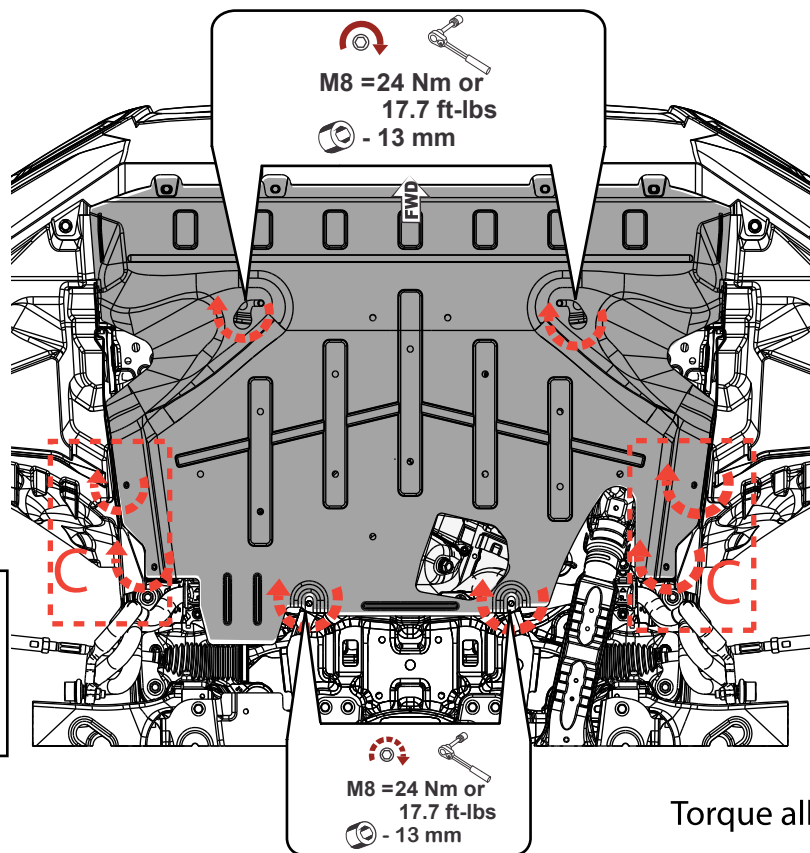
3



4



5



C

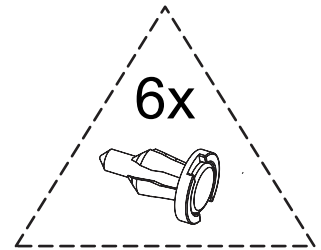
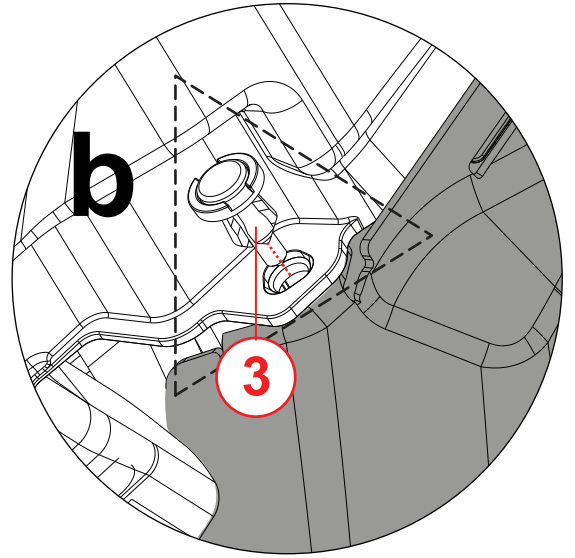
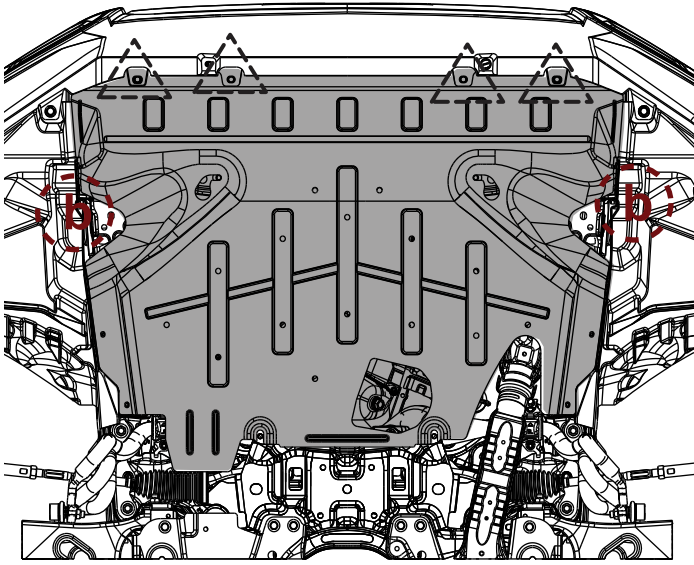
M6 = 10.5 Nm or
7.75 ft-lbs
- 10 mm

M8 = 24 Nm or
17.7 ft-lbs
- 13 mm

M8 = 24 Nm or
17.7 ft-lbs
- 13 mm

Torque all bolts as shown

6



7