



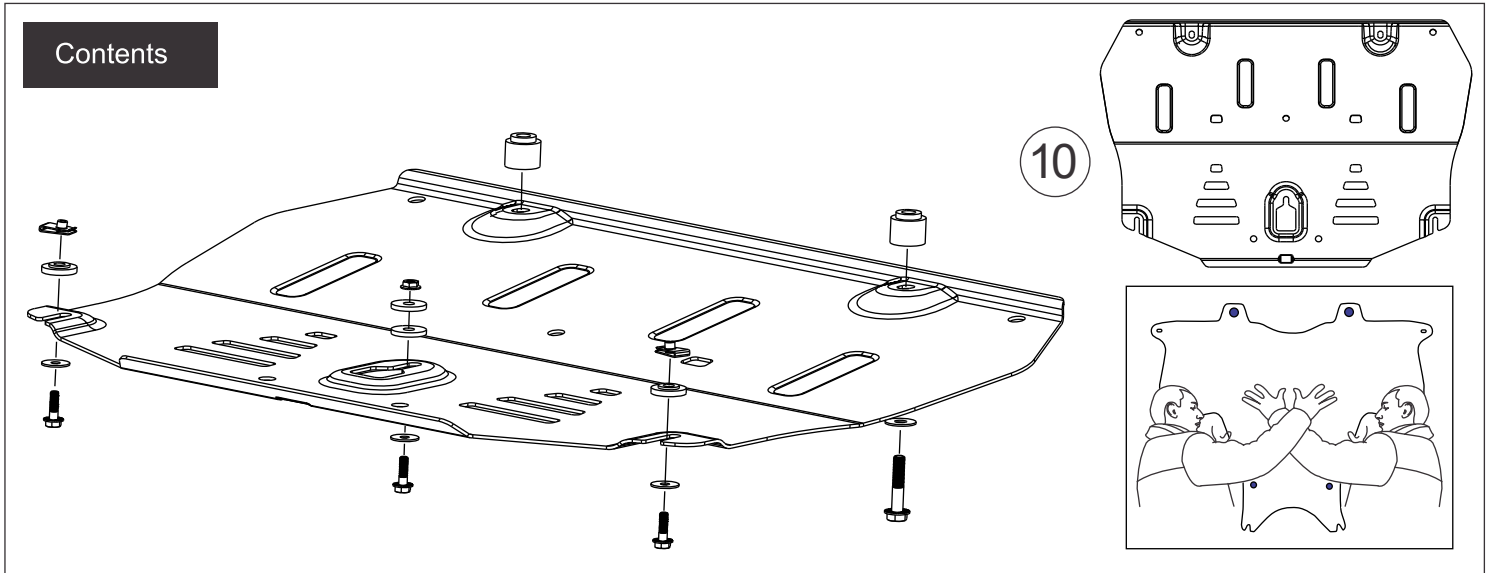
# SUBARU

Description :

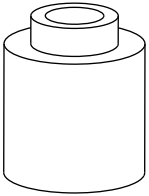
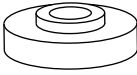
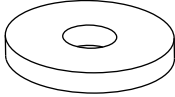
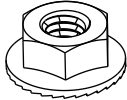
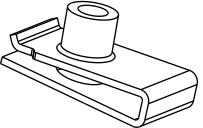
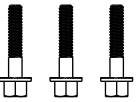



Part number :

**ENGINE UNDER GUARD**

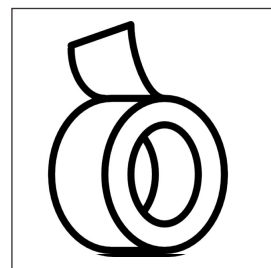
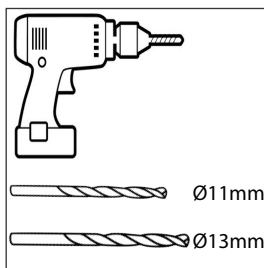
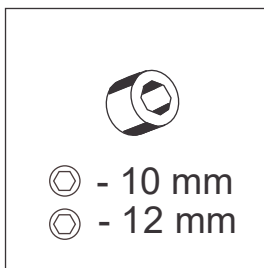
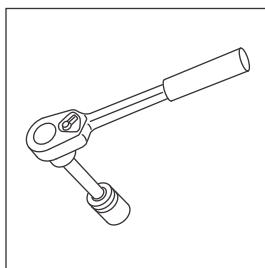
**E515SVC000**



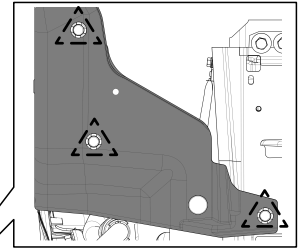
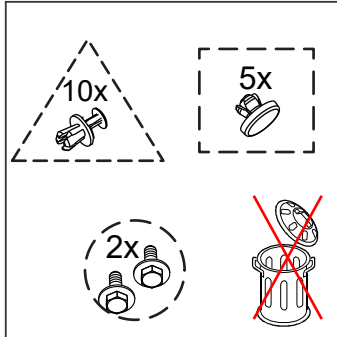
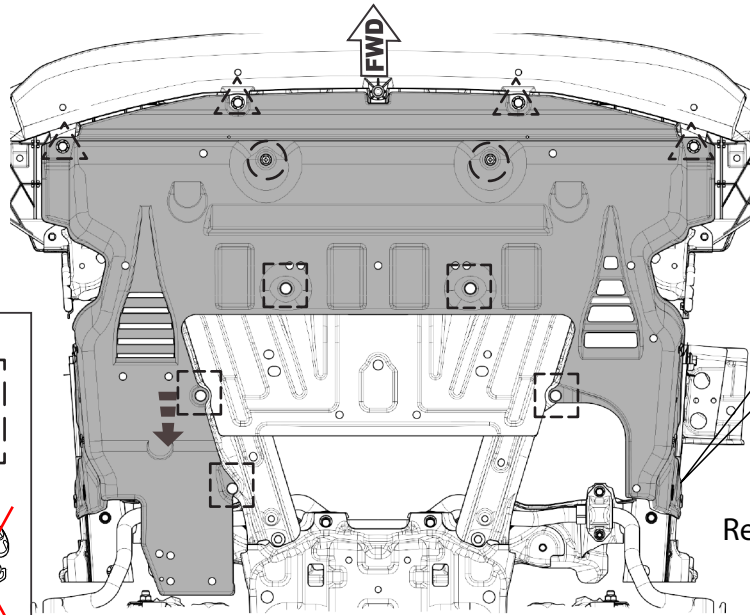
### Fitting kit:

<p>1</p>  <p>2 x</p>	<p>2</p>  <p>2 x</p>	<p>3</p>  <p>2 x</p>	<p>4</p>  <p>M6 1 x</p>	<p>5</p>  <p>2 x</p>
<p>6</p>  <p>M6x30 3 x</p>	<p>7</p>  <p>M8x50 2 x</p>	<p>8</p>  <p>∅6 3 x</p>	<p>9</p>  <p>∅8 2 x</p>	

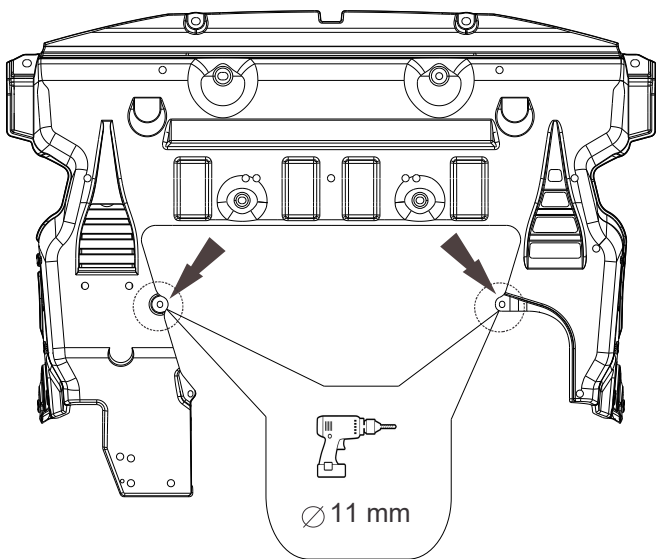
### Tools Required:



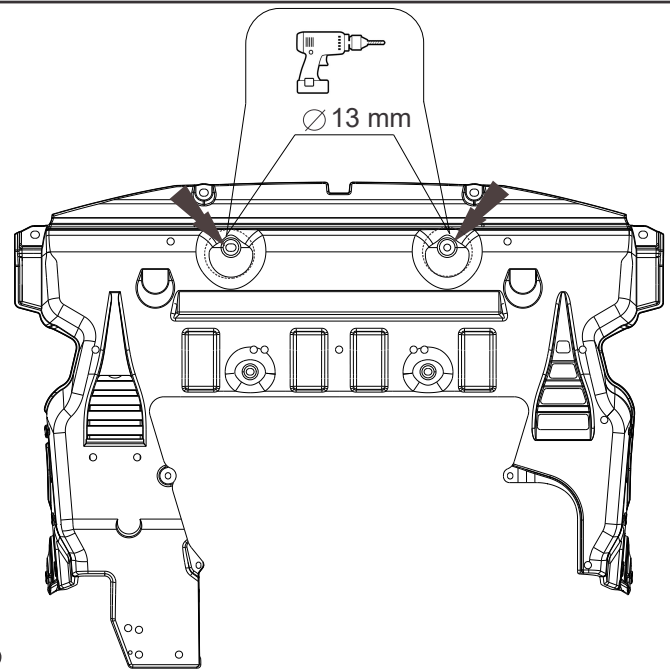
LHS&RHS



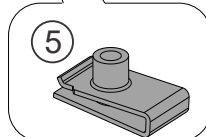
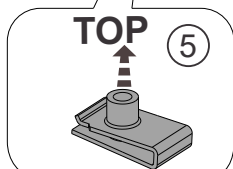
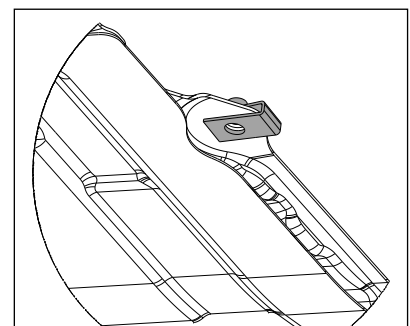
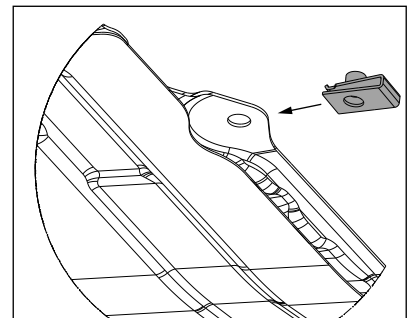
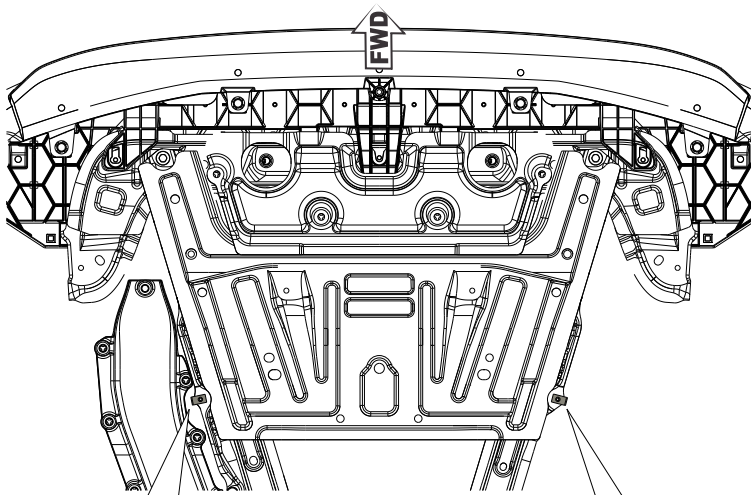
1



2



3



4

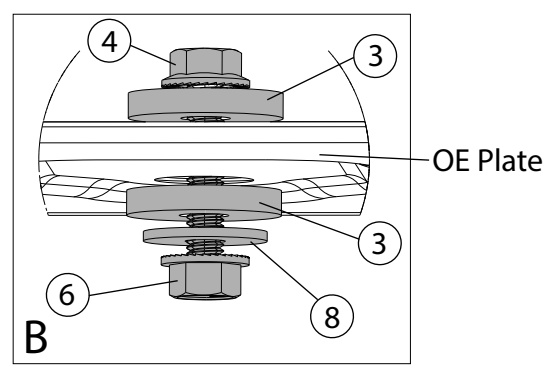
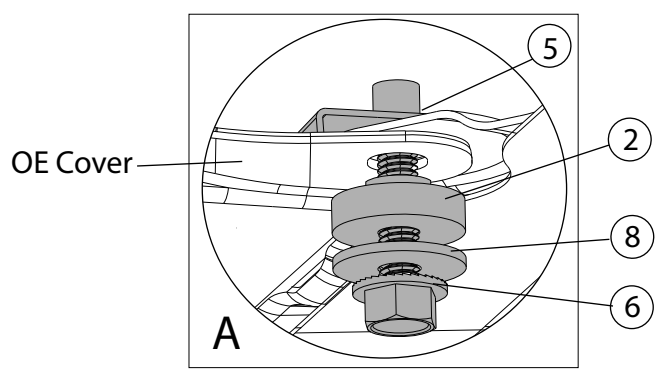
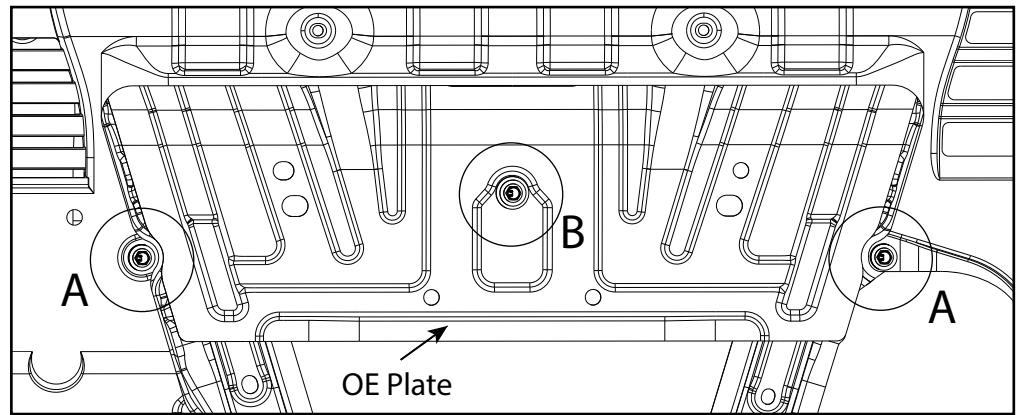
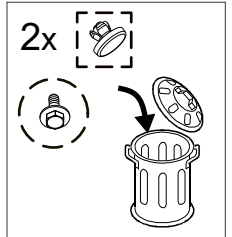
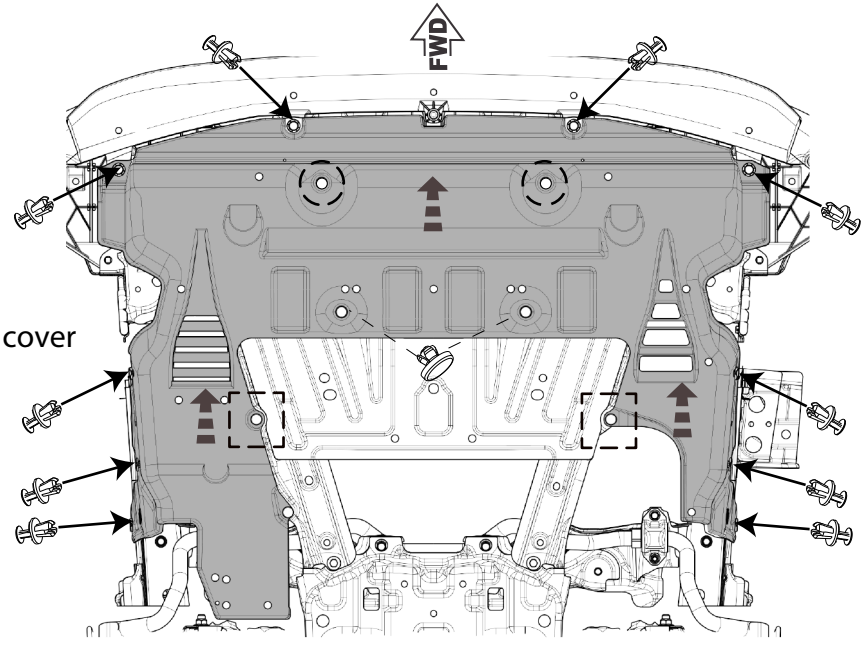
5

5

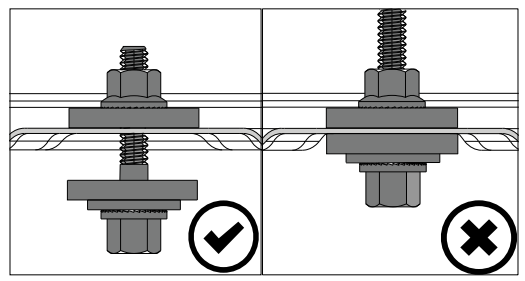
TOP

5

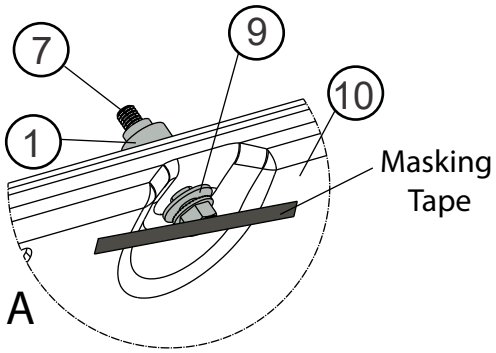
Re-install the OE cover



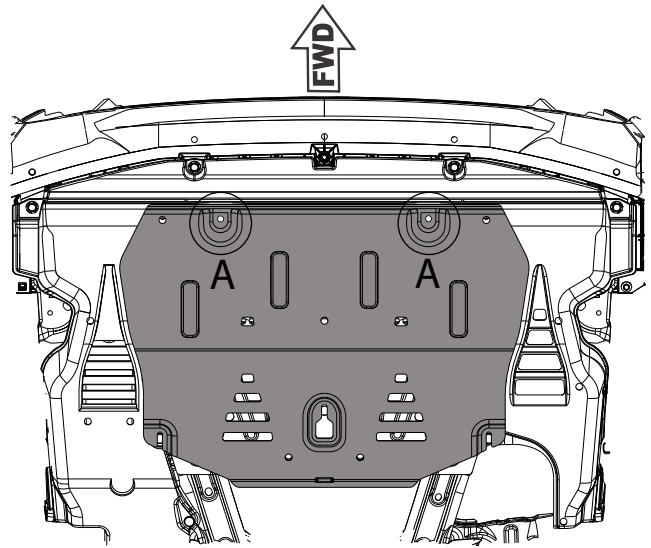
Partially install the three rear Bolts(6) as shown.



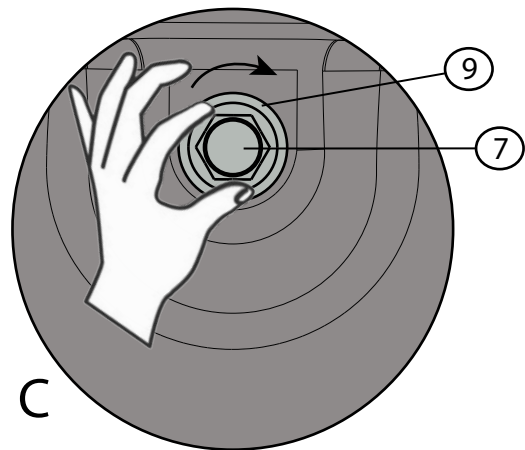
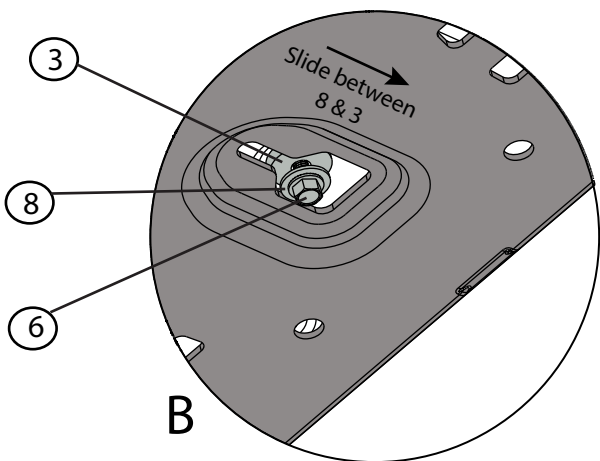
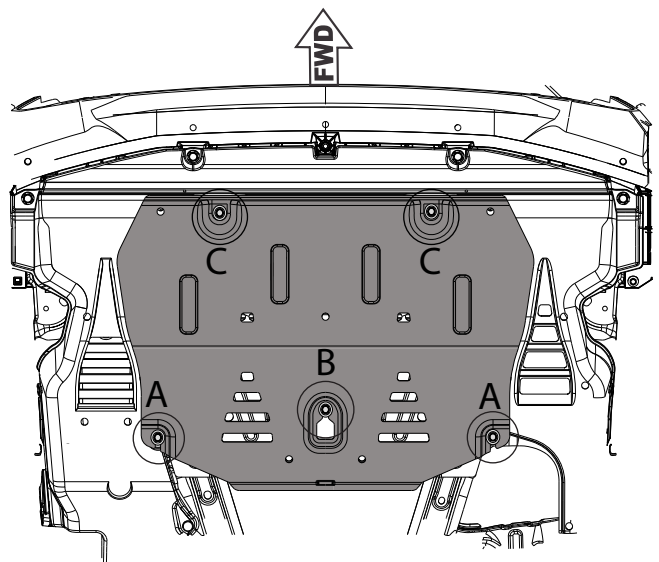
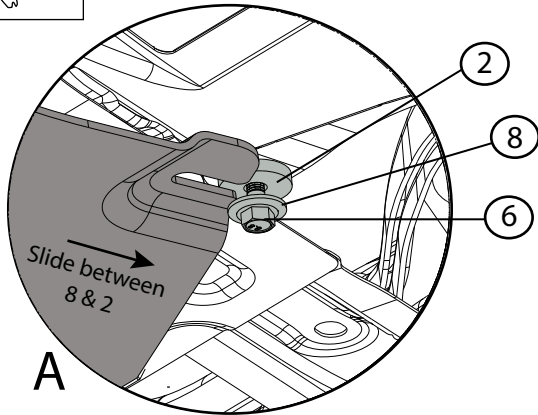
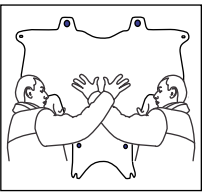
6



Use masking tape to hold bolt (7), washer (9) and spacer (1) on the front two holes as shown.



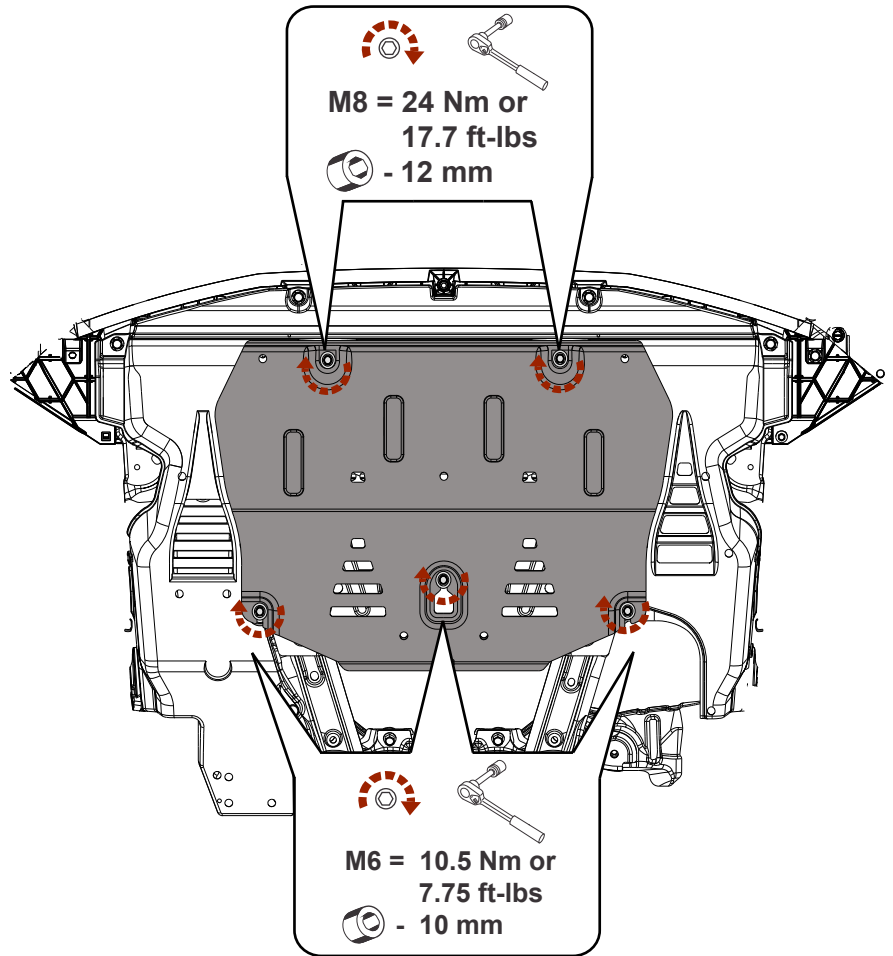
7



Hold the plate in position and slide rearward, inserting it carefully between the washer (8) and spacer (2 & 3).

Supporting the plate with one hand, remove masking tape and hand tight the front 2 bolts (7).

8



Torque all bolts as shown

9