



# Rear Bumper Diffuser

## Installation Manual

This manual describes how to install the Rear Bumper Diffuser

### Request

Before installing this product, please ensure to read this manual and carry out proper installation.

### ⚠ Precautions

1. When installing this product on a car, park the car on a flat surface and securely apply the parking brake before carrying out the work.
2. Before starting the installation work, use a neutral detergent (or degreasing agent) and waste cloth to remove dirt adhering to the car's surfaces to which the Rear Bumper Diffuser are to be attached, and completely dry the surfaces. Moreover, if sand or mud adheres to the back of the clip insertion holes, etc., then clean the contaminated sections.
3. Install the Rear Bumper Diffuser before applying a car body coating treatment. When installing them on a coated car, remove the coating in the areas where the double-sided tape is to be applied before carrying out the installation work.
4. During the installation work, pay careful attention not to damage the car with tools, etc.
5. The purpose of this document is to illustrate explanations common to installation work on the left and right sides. Check the shape of the components to be installed before carrying out the work.
6. When the air temperature is 15°C or lower, use a dryer to warm up this product and the surfaces of the car where the double-sided tape is to be applied to 30°C to 50°C or thereabouts. Avoid using an industrial dryer.
7. The double-sided tape attached to this product does not adhere to the surfaces unless it is adequately pressed. Moreover, reattaching the product significantly reduces the adhesive strength of the tape; therefore, properly position the product before attaching it to the car.
8. The adhesive strength of the double-sided tape gradually increases after it is applied to the car. Avoid washing the car within 24 hours after attachment. When washing and waxing the car are necessary on the day of the attachment, leave the car as is for at least one hour and subsequently cover the Rear Bumper Diffuser guards with tape, etc. to prevent water from penetrating into areas where the double-sided tape is applied. Further, be careful not to apply an excessive force to the guards.
9. When blowing air on this product after it is attached to the car, maintain a distance of at least 300 mm between the exhaust port of the blower and the product. Insufficient distance may cause this product to peel.
10. When a car has undergone a body coating treatment including glass coating, this product cannot exhibit its original adhesive performance. Please confirm whether or not a body coating treatment is applied to the car. Moreover, ensure to remove dirt, oil, grease, etc. adhering to the surface on which the product is to be attached, and also ensure to adequately pressure bond it to the car.

<<How to remove a body coating film and confirm the removal>>

- Use a fine-grained compound agent (so as not to affect the car's paint) to rub the coating film off the area on which the product is to be attached.
- After polishing the area, spray water on it. You can confirm that the coating film has been removed when there is no repelling of water on the area.

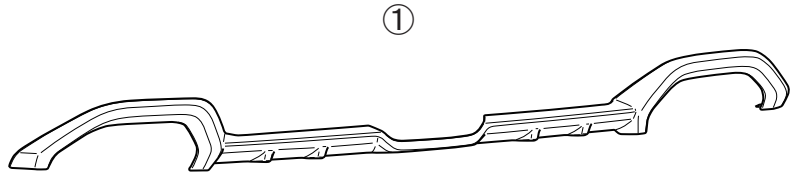
# Rear Bumper Diffuser

**Genuine Part Number :** E5610VC550

**Applicable Model :** WRX 2022MY~

## Components

No.	Part Name	Qty
①	Rear Bumper Diffuser	1
②	Clip	4



Repair part number

E5610VC551 : Parts set ②×4

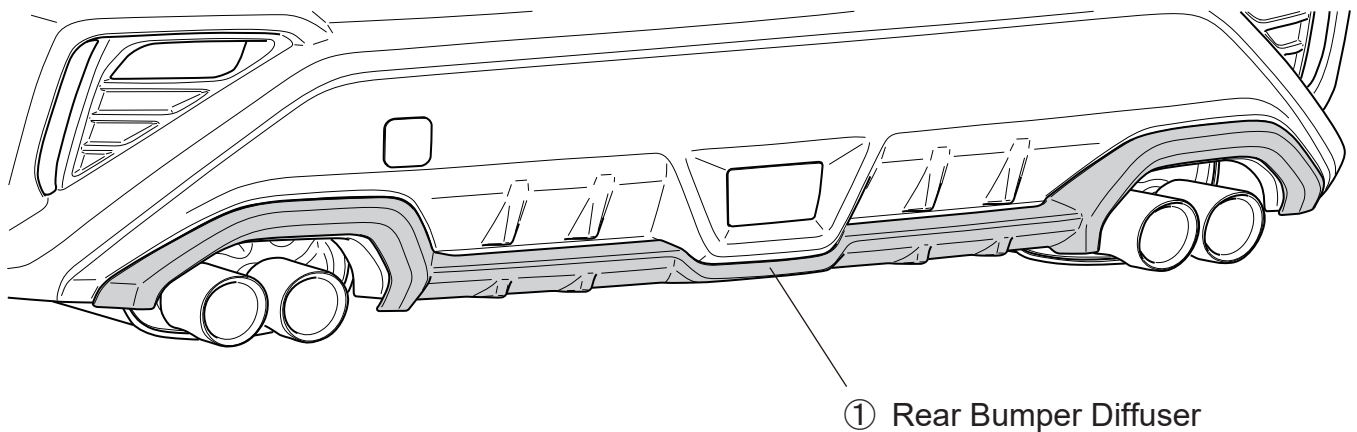
②



## Tools

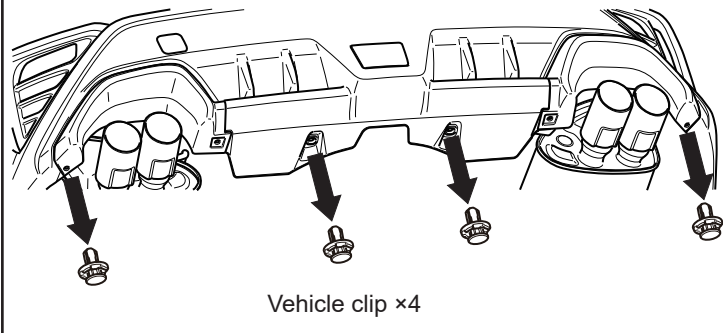
- Degreasing agent (recommended nonane)
- Masking tape
- Clean cloth
- Dryer
- Clip remover

## Installation Completion Illustration



## Installation procedure

### 【 Bottom view 】



## 1. Removing the vehicle clip

- (1) Remove the vehicle clip from the Rear Bumper. ( 4 places )

※ Do not reuse vehicle clip.

## 2. Cleaning/Degreasing

- (1) Clean, degreas, and dry the shaded area of the Rear Bumper with a degreasing agent.

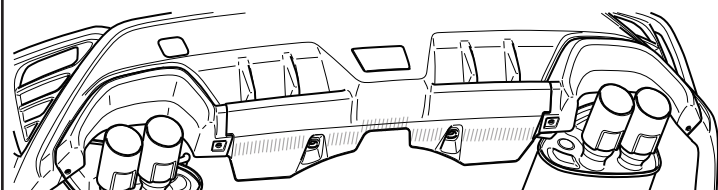
### ⚠ Advice

If rainwater is attached, wipe it dry with a dry cloth.

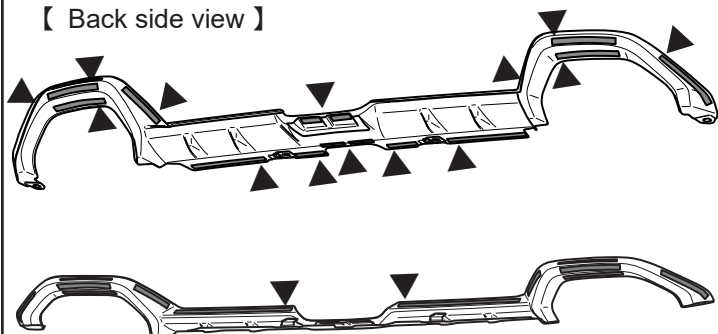
Insufficient wiping and drying can cause the product to come off.

Cleaning and degreasing

### 【 Bottom view 】



### 【 Back side view 】



## 3. Preparing to install the ①Rear Bumper Diffuser

- (1) Part of the double-sided tape liners on the ①Rear Bumper Diffuser is peeled off and fixed with masking tape.

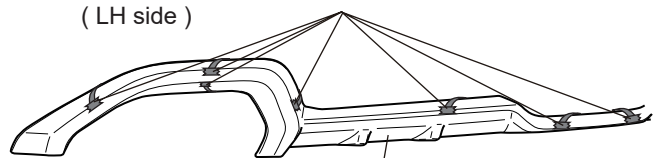
### ⚠ Advice

Do not peel off the double-sided tape liner more than necessary.

Double-sided tape clings to the bumper, which hinders positioning.

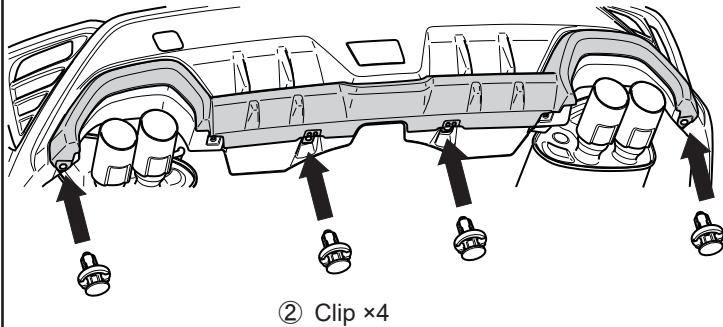
### 【 Surface view 】 ( LH side )

Masking tape



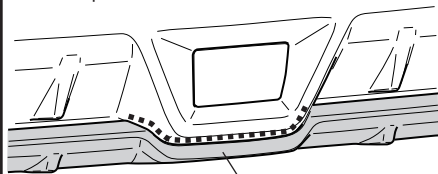
① Rear Bumper Diffuser

【 Bottom view 】



② Clip ×4

【 Central part details 】



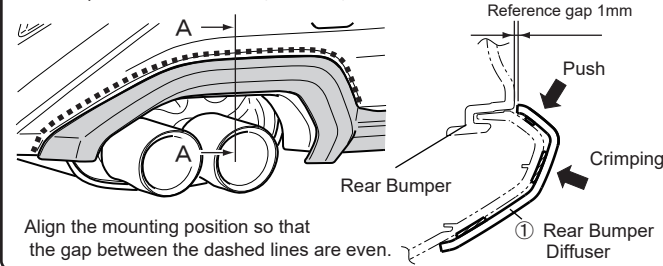
① Rear Bumper Diffuser

Align the mounting position so that the gap between the dashed lines are even.

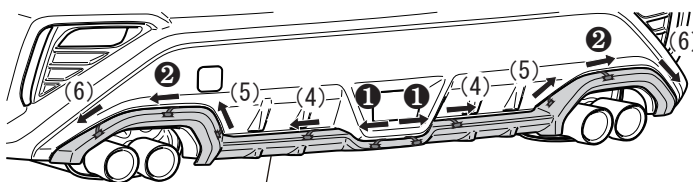
【 Muffler part details 】

( LH side )

【 Section A-A 】

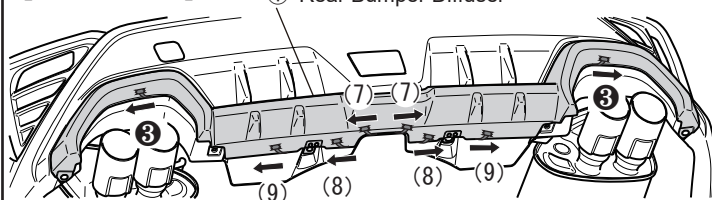


Align the mounting position so that the gap between the dashed lines are even.



【 Bottom view 】

① Rear Bumper Diffuser



#### 4. Install the ①Rear Bumper Diffuser

- (1) Cover the Rear bumper with a ①Rear Bumper Diffuser and attach it with a ②clip.

#### ⚠ Advice

Work with the ①Rear Bumper Diffuser slightly widened so that the metal bracket does not damage the Rear Bumper.

- (2) Check the mounting position referring to the left figure.

#### ⚠ Advice

Please follow the order in which you pull out the double-sided tape liner. There is a possibility that the position shift occurs at the time of mounting.

- (3) Pull out the double-sided tape liner in the order of ① to ③ referring to the figure on the left, and crimp it.

- (4) Pull out the double-sided tape liner in the order of (4) to (9) referring to the figure on the left, and crimp it.

#### ⚠ Advice

To crimp the double-sided tape, press it with a force of 49N(5kgf) for about 10 seconds.

This is the end of the work.

#### ⚠ Inspection guidelines

Make sure the clips are attached, the adhesion of the double-sided tape, and make sure that there is no rattling. Make sure there are no scratches or stains. There shall be no significant gaps or separation.

#### Revised contents

△	Details of the work	Date
00	Newly created document	7 / May / 2021