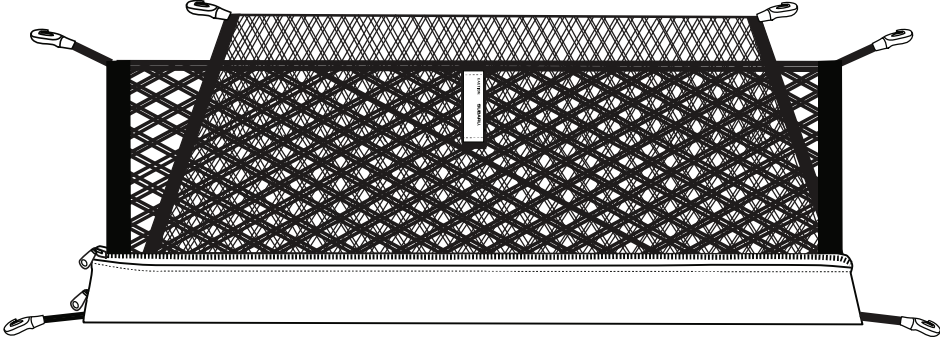
	PART NUMBER: F551SSL000
	DESCRIPTION: FORESTER CARGO NET

A KIT CONTENTS: **1X**












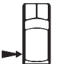

B Note: Upper T-Anchor Assy **2X**



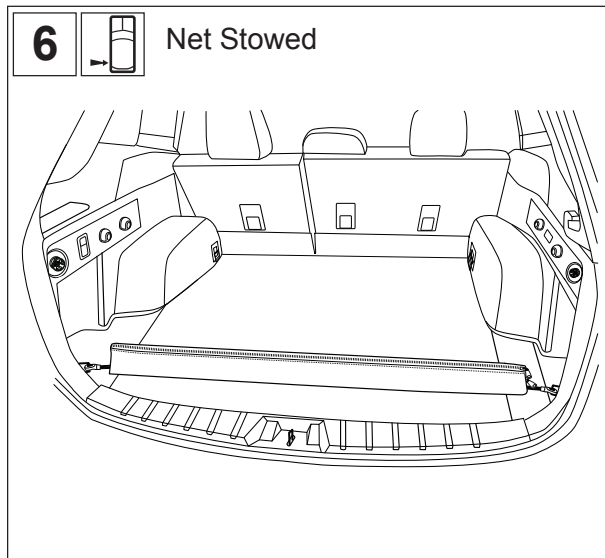
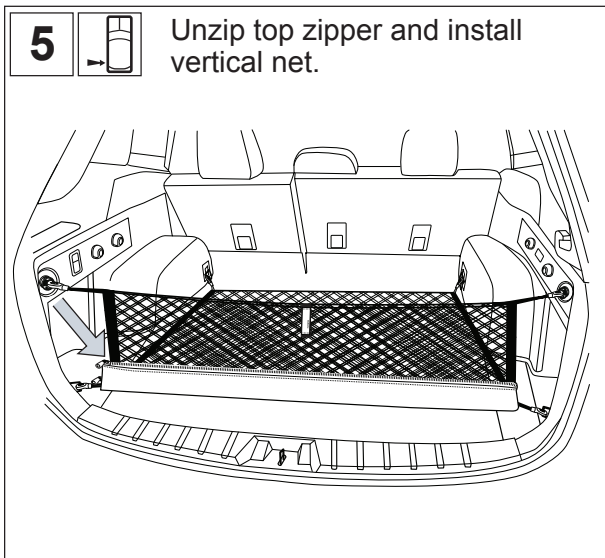
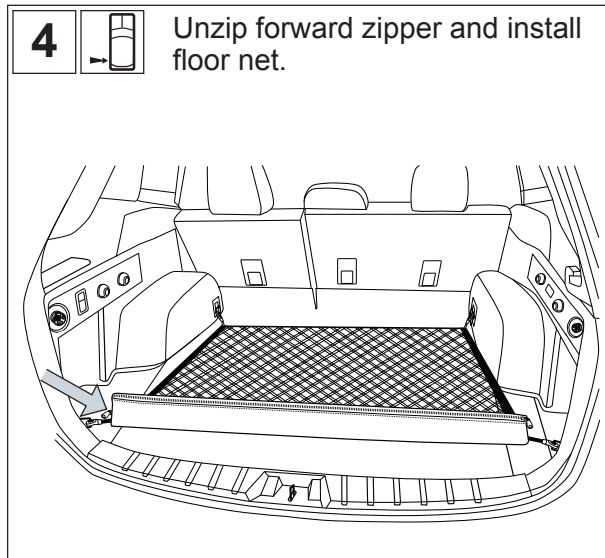
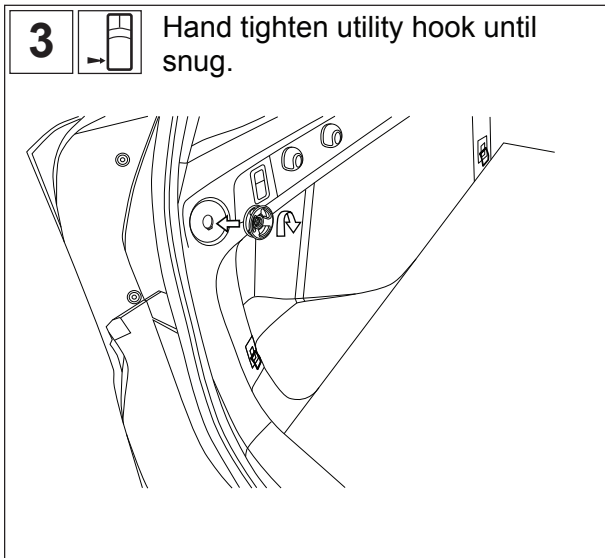
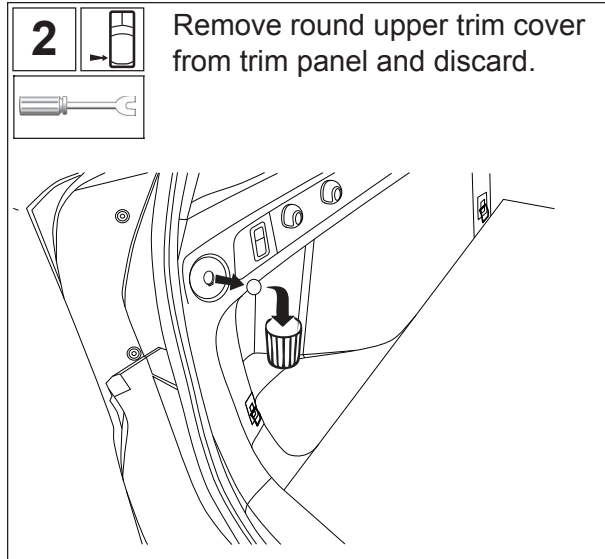
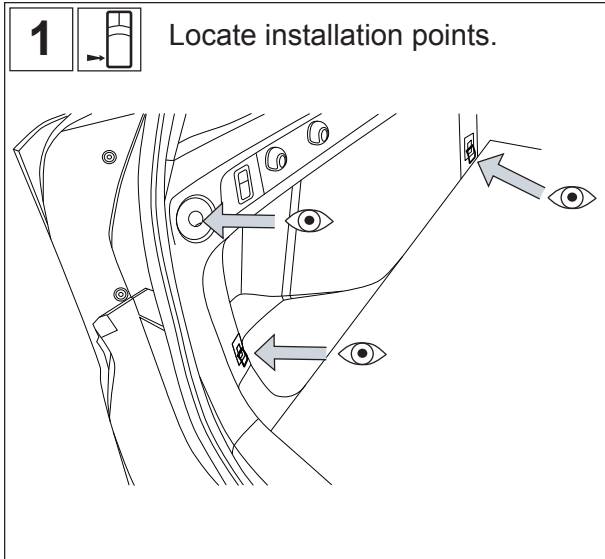
TOOLS REQUIRED:



Meaning of Characters:

	: Remove	T	: Tightening Torque
	: Install		: Loosen
	: Disconnect		: Discard
	: Connect		: Recyclable
	: Location of pre-arranged mark		: View
	: Driver side rear cargo area		
	: Passenger side rear cargo area		

NOTE: Installation steps shown below are for the drivers side of the vehicle.
Please follow the same steps for the passengers side.



NOTE: Either net can be installed independently.