

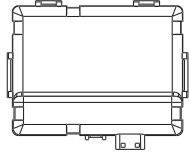


GENUINE PARTS INSTALLATION INSTRUCTIONS

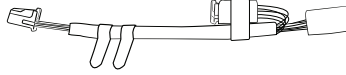
PART NUMBER: H001SSL000

DESCRIPTION: LONG RANGE PUSH START
REMOTE ENGINE START SYSTEM
FORESTER

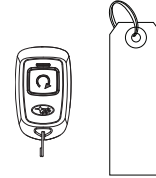
1 KIT CONTENTS



Remote Engine Start
Control Module (ECU)
Quantity=1



Remote Engine Start
Wire Harness
Quantity=1



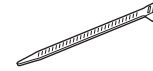
Remote Engine Start
Transmitters w/ Warning Tags
Quantity=2



Under Hood
Warning Label
Quantity=1



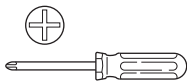
Quick Reference Card
Quantity=1 English,
1 French



Tie Wrap
39cm Quantity=5*

* Extra components intentionally placed in kit as spares. Please follow instructions for proper placement of each component.

2 TOOLS REQUIRED



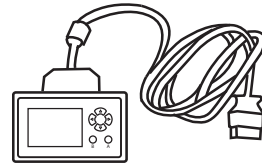
Phillips Screwdriver



Panel Removal Tool



Wire Cutters



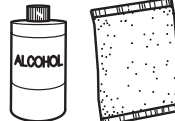
SSM4 (DST-i)
Diagnostic Interface and
Network-Enabled Laptop



Ratchet, 10mm Socket &
Extension



Torque Wrench



Alcohol and Towel

3 MEANING OF CHARACTERS



: Remove

T : Tighten Torque



: Install



: Loosen



: Disconnect



: Discard



: Connect



: Re-use



: Location of Clip or Screw

CAUTION: DO NOT SECURE ANY REMOTE START HARNESSSES TO ANY YELLOW HARNESSSES / CONNECTORS (AIRBAG SYSTEM) IN THE VEHICLE.

PART NUMBER
H001SSL000

ISSUE
00

DATE
8 Jun 2023

SUBARU OF AMERICA

1 OF 11

4 VEHICLE PREPARATION

1. Using a 10mm socket/ratchet, disconnect the negative battery cable. (FIGURE A)

NOTE: Do not disconnect the battery terminal from the battery post.

2. Open the glove box and press inward on the sides of the glove box to disengage the retaining tabs from the glove box inner cover. Disconnect the strut from the glove box. (FIGURE B)

3. Using a panel removal tool, carefully press downward to disengage three (3) pressure clips to remove the passenger's side under dashboard finisher panel. (FIGURE C)

4. Using a panel removal tool, carefully remove the right side dashboard panel by starting at the bottom access notch and working upward to disengage six (6) pressure clips. (FIGURE D)

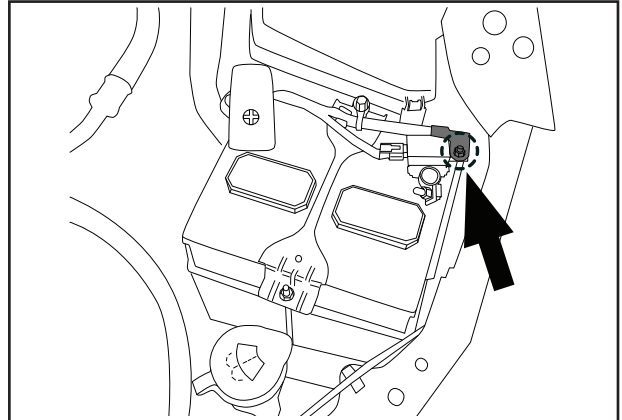


FIGURE A

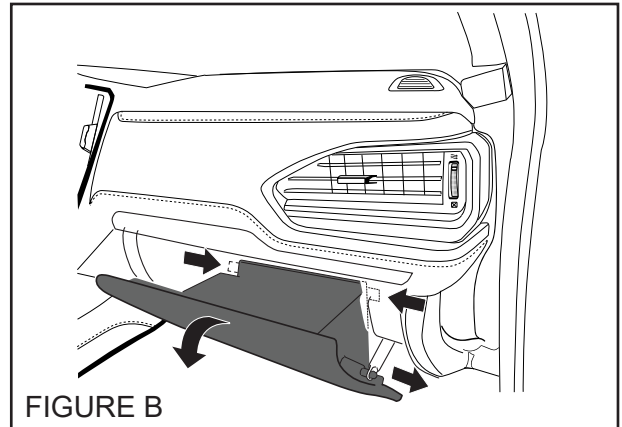


FIGURE B

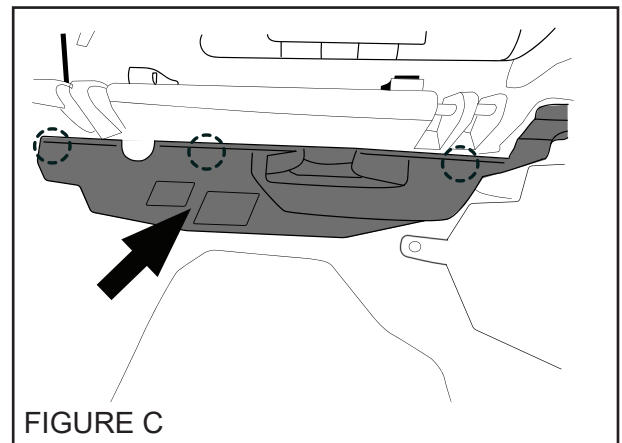


FIGURE C

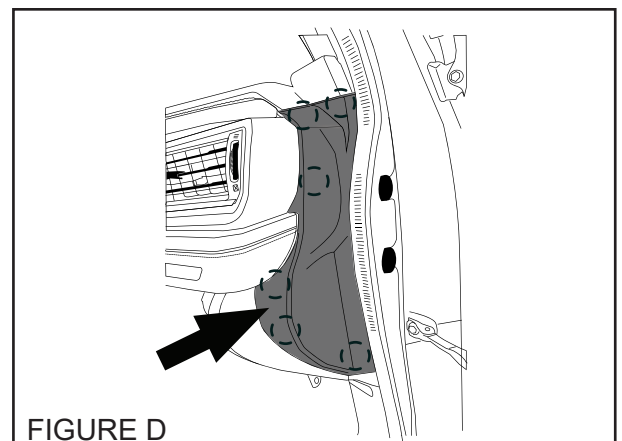
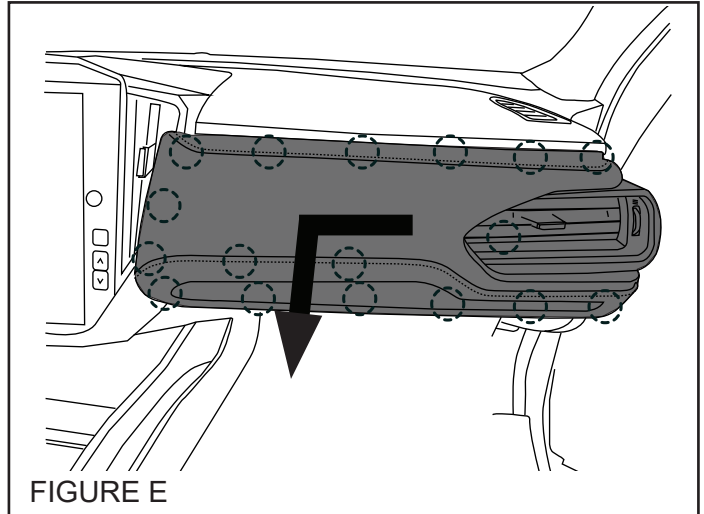


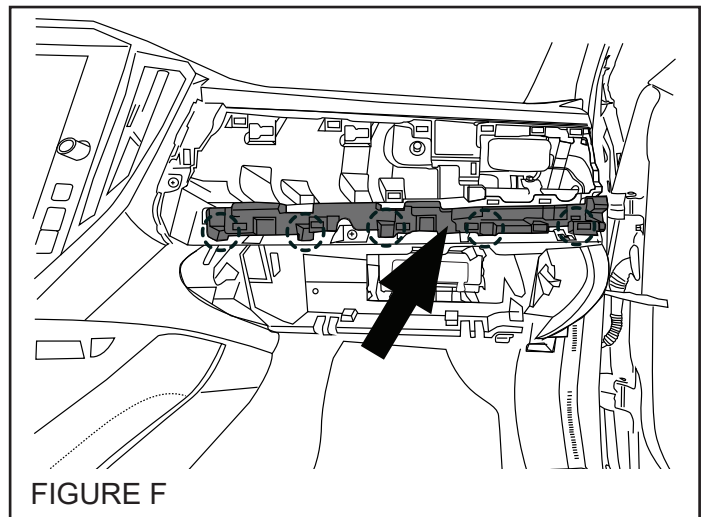
FIGURE D

4 VEHICLE PREPARATION, continued

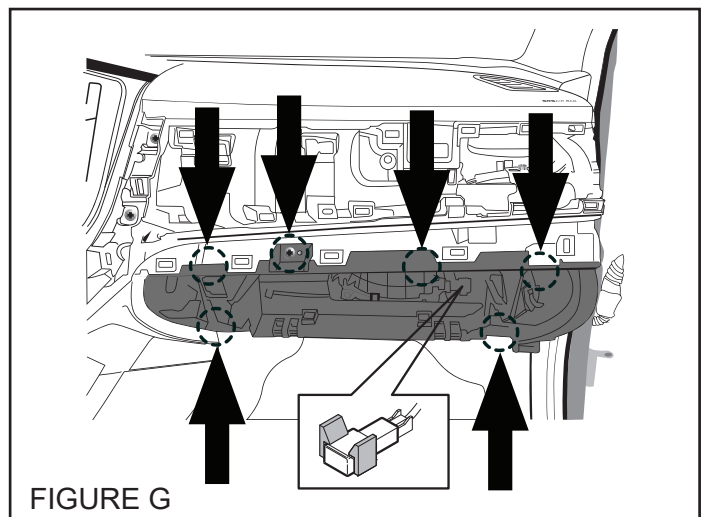
- Using a panel removal tool, carefully remove the upper vent panel by pulling rearward to disengage seventeen (17) pressure clips. Move the panel in the direction of the arrow to release the hook and remove the upper vent panel. (FIGURE E)



- Using a panel removal tool, carefully remove the upper vent mounting panel by starting at the back of the lower right corner to disengage five (5) pressure clips. Pull rearward to remove the upper vent mounting panel. (FIGURE F)

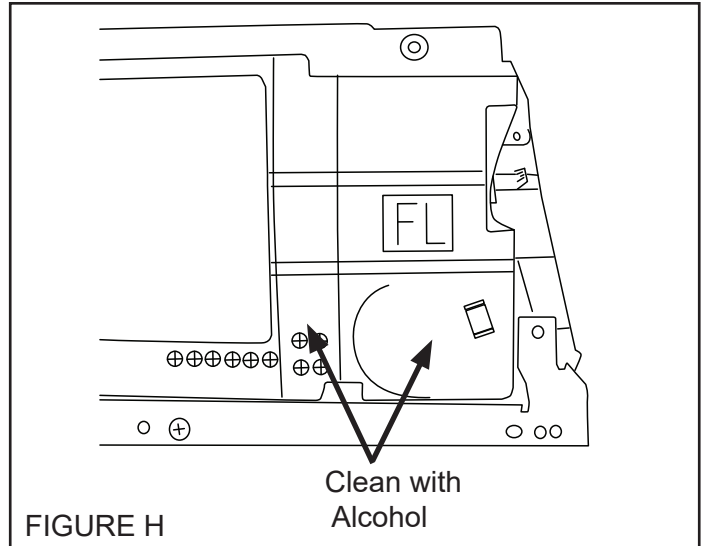


- Using a Phillips screwdriver, remove six (6) Phillips screws securing the glove box inner cover. Disengage the six (6) pressure clips and disconnect the glove box lamp connector to remove the glove box inner cover. (FIGURE G)



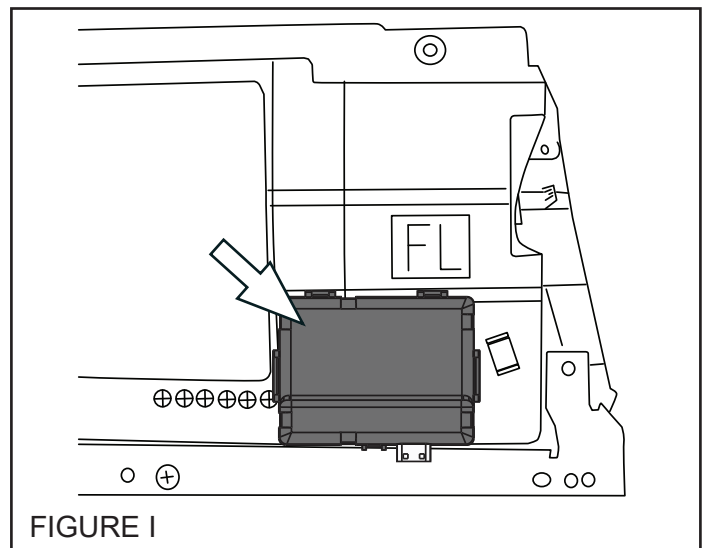
5 REMOTE ENGINE START ECU MOUNTING

1. Locate the glove box inner cover. Using alcohol, clean the back side of the glove box inner cover, as shown. (FIGURE H)

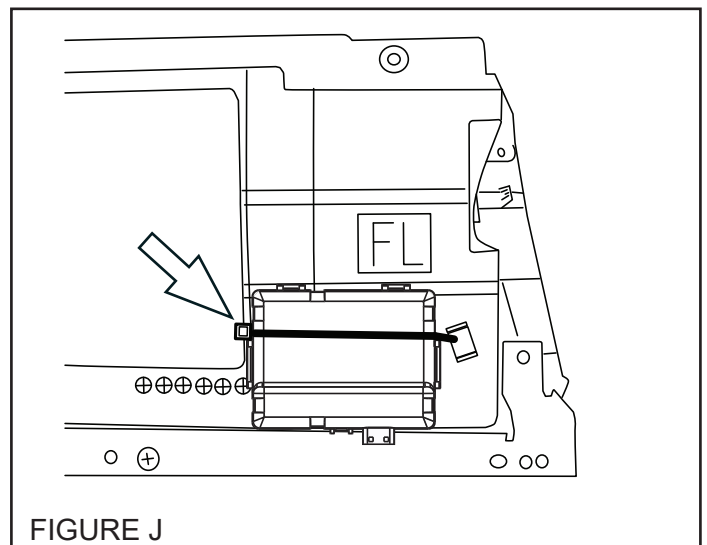


2. Locate the remote engine start ECU. Remove the two (2) release liners from the ECU double sided tape and attach the remote engine start ECU to the glove box inner cover, as shown. Ensure the ECU double sided tape does not contact the character lines and is positioned flat against the bottom portion of the inner cover. Press firmly in place for at least 30 seconds. (FIGURE I)

NOTE: Ensure the ECU connectors will be facing downward when the inner cover is replaced.

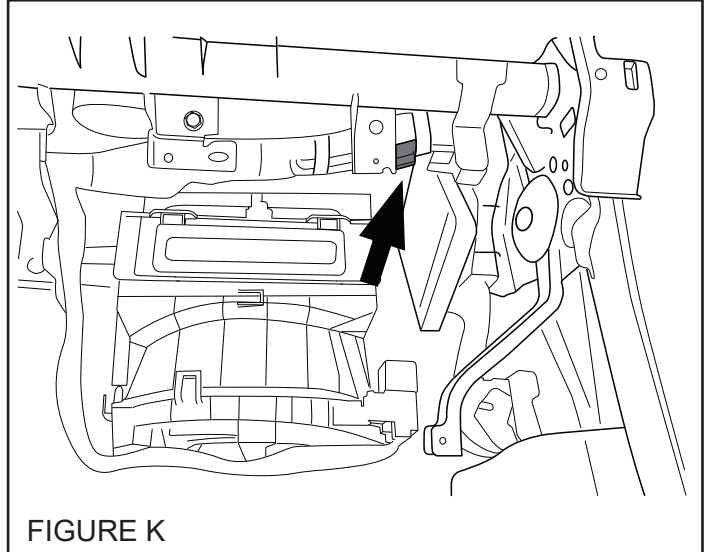


3. Using one (1) of the supplied 39cm tie wraps, secure the remote engine start ECU to the glove box inner cover. Trim off the excess tie wrap. (FIGURE J)

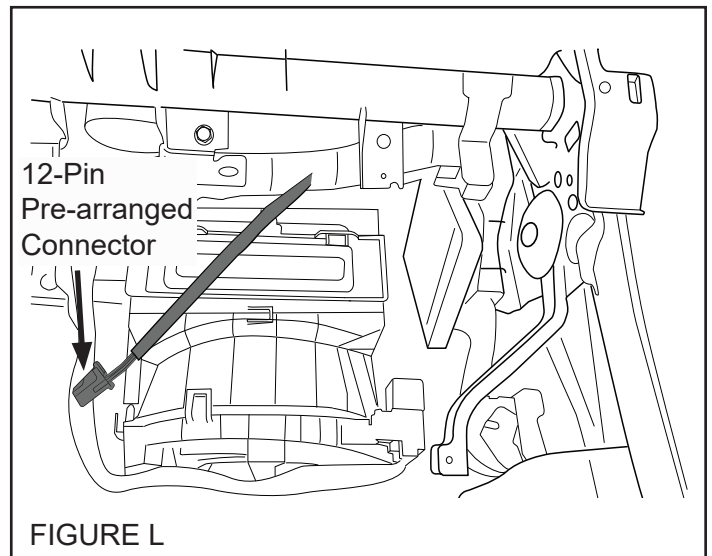


6 PRE-ARRANGED JUMPER HARNESS CONNECTIONS

1. Locate the vehicle's 12-pin pre-arranged connector that is secured to the vehicle's wire harness with breakaway tape near the upper passenger's side glove box area. (FIGURE K)

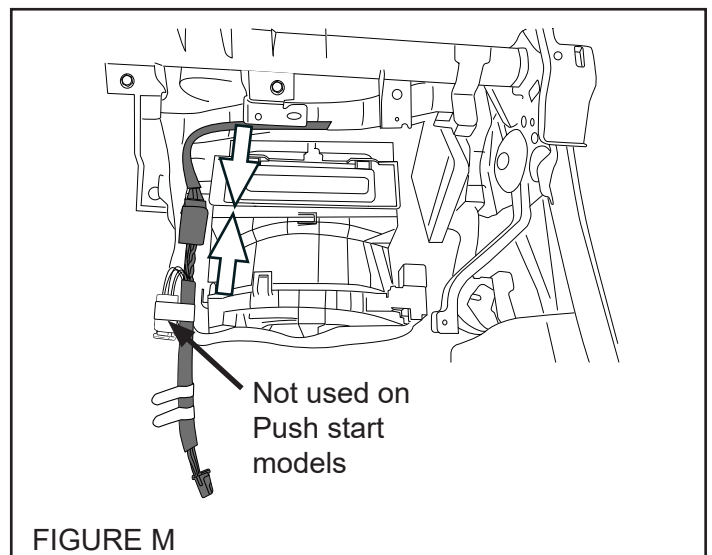


2. Release the vehicle's 12-pin pre-arranged connector from the breakaway tape. (FIGURE L)



3. Plug the supplied remote engine start wire harness 12-pin connector into the corresponding 12-pin pre-arranged connector. (FIGURE M)

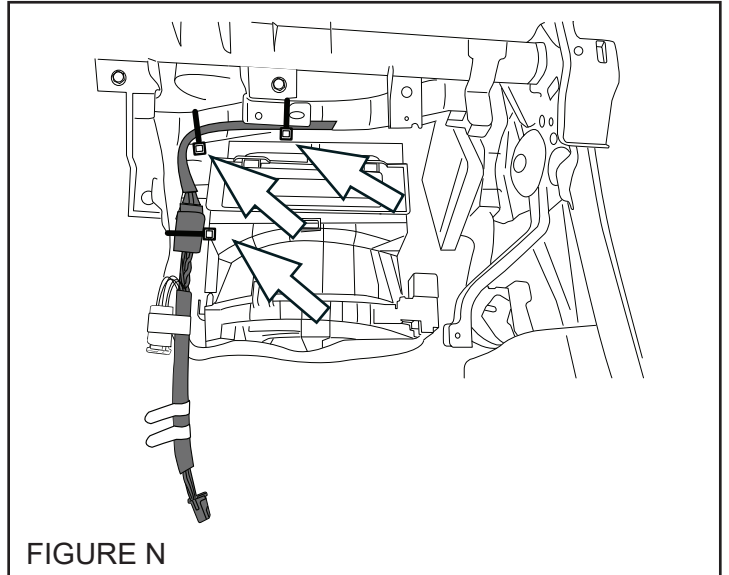
NOTE: The remote engine start 8-pin connector (taped to the supplied remote engine start wire harness) is not used/applicable on Push start models.



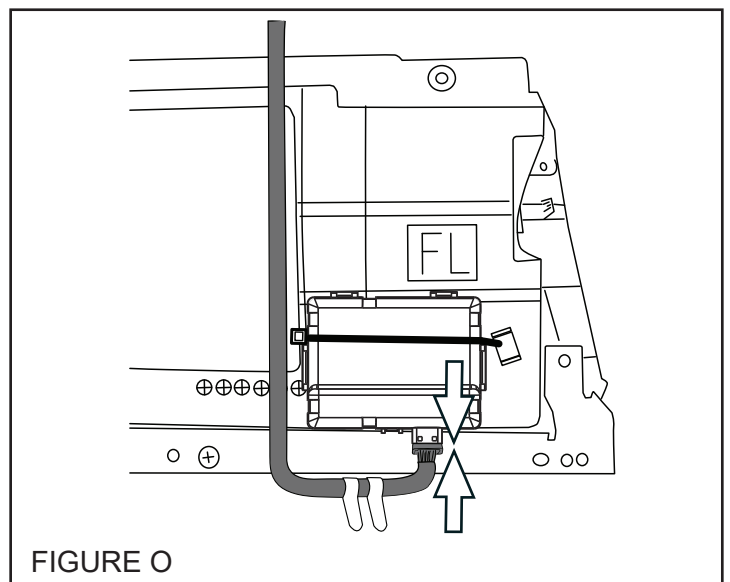
6 PRE-ARRANGED JUMPER HARNESS CONNECTIONS, continued

4. Secure the pre-arranged wire harness to the vehicle's wire harness using two (2) of the supplied 39cm tie wraps. Trim off the excess tie wraps. (FIGURE N)

Secure the supplied remote engine start wire harness to the vehicle's wire harness using one (1) of the supplied 39cm tie wraps. Trim off the excess tie wrap. (FIGURE N)



5. Plug the supplied remote engine start wire harness 8-pin connector into the 8-pin port on the remote engine start ECU, previously mounted to the back side of the glove box inner cover (SECTION 5). (FIGURE O)

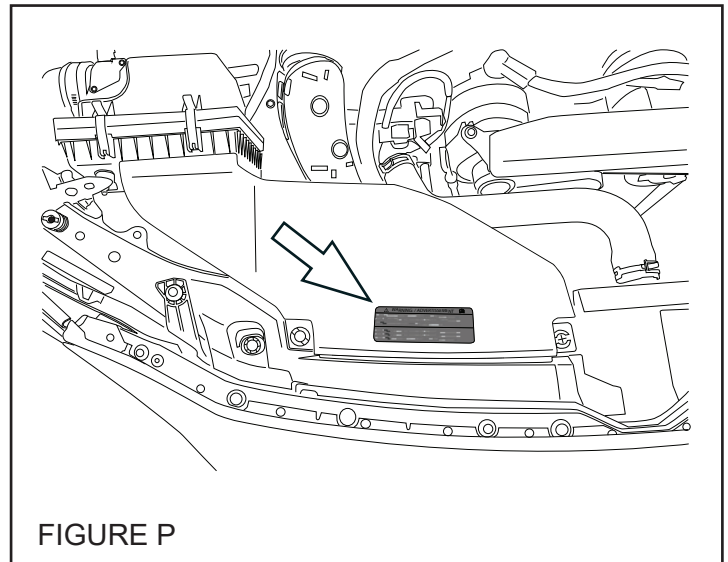


7 PANEL RE-ASSEMBLY

1. Re-connect the glove box lamp connector to the lamp on the glove box inner cover. Re-install the glove box inner cover by engaging the six (6) pressure clips and secure with six (6) Phillips screws.
2. Re-install the upper vent mounting panel by engaging the five (5) pressure clips.
3. Re-install the upper vent panel by engaging the hook and seventeen (17) pressure clips.
4. Re-install the right side dashboard panel by engaging the six (6) pressure clips.
5. Re-install the passenger's side under dashboard finisher panel by engaging the three (3) pressure clips.
6. Re-install the glove box and strut.
7. At the end of the installation, insert the Quick Reference Cards into the Owner's Information Kit.

8 UNDER HOOD WARNING LABEL MOUNTING

1. Using alcohol, clean the top of the air intake plenum, near the radiator core support.
2. Remove the release liner from the under hood warning label and secure to the top of the air intake plenum, as shown. (FIGURE P)



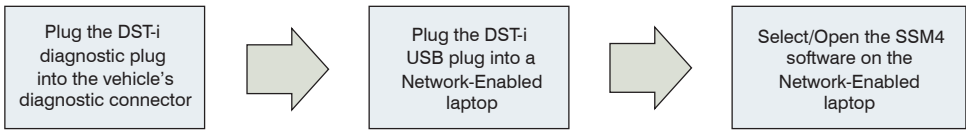
9 SYSTEM POWER-UP

1. After all the connections are complete, re-connect the vehicle's negative battery cable. Using a 10mm socket/torque wrench, tighten the 10mm nut to 7.5 Nm +/- 2 Nm (0.76 Kgf-m +/- 0.2 Kgf-m, 5.5 ft-lbs +/- 1.5 ft-lbs).
2. Start the vehicle at least one (1) time using the Access key prior to activating the remote engine start system. This is required to allow the vehicle's electronic systems to re-synchronize.
3. With the vehicle running via the Access key, verify that the instrument cluster airbag light turns off. If the airbag light remains on, refer to the vehicle service information for troubleshooting.
4. Refer to the vehicle Owner's manual for the Power Window Reset Procedure to restore the power window functions.

10 SYSTEM REGISTRATION

ENSURE THE SOFTWARE VERSION HAS BEEN UPDATED TO THE LATEST REVISION BEFORE ATTEMPTING SYSTEM REGISTRATION.

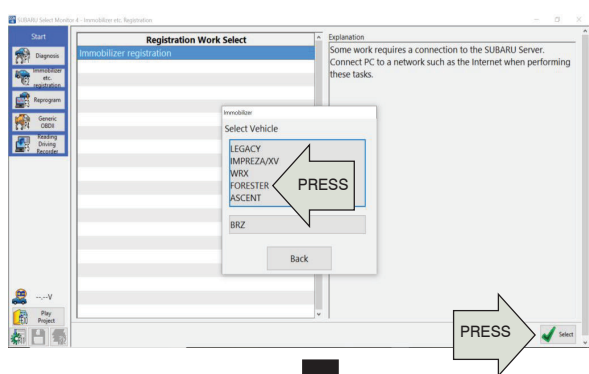
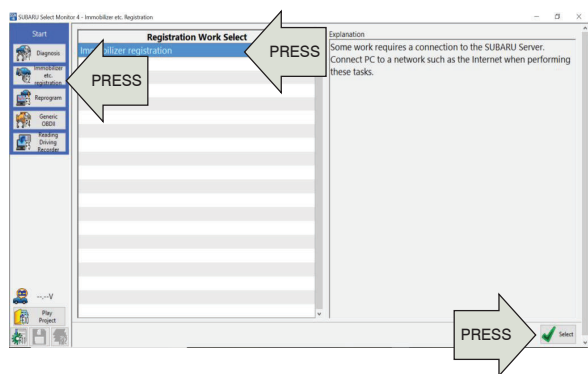
DST-i SETUP



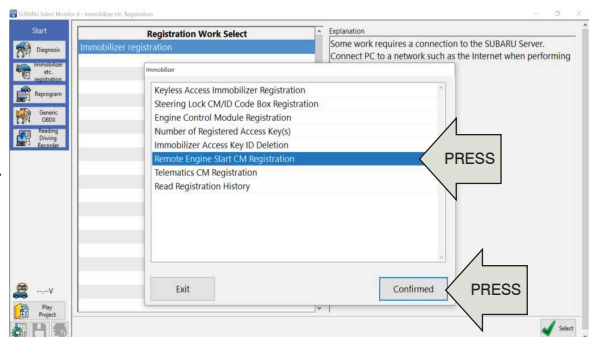
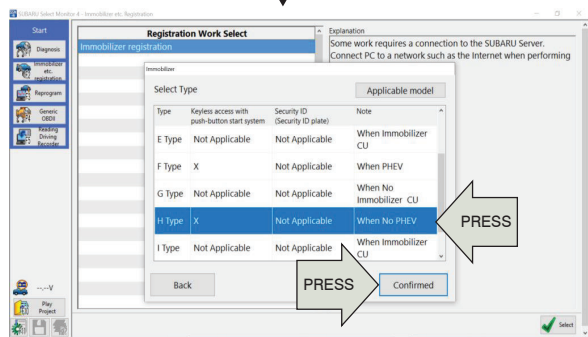
REGISTRATION

1. PRESS IMMOBILIZER ETC. REGISTRATION, PRESS IMMOBILIZER REGISTRATION AND PRESS SELECT

2. PRESS FORESTER AND PRESS SELECT



With an Access key inside the vehicle turn ON the ignition



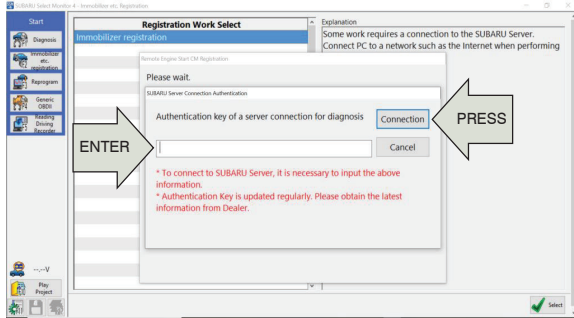
3. PRESS H TYPE FOR PUSH START MODELS, PRESS CONFIRMED AND WAIT FOR LAPTOP TO ESTABLISH CONNECTION

4. PRESS REMOTE ENGINE START CM REGISTRATION AND PRESS CONFIRMED

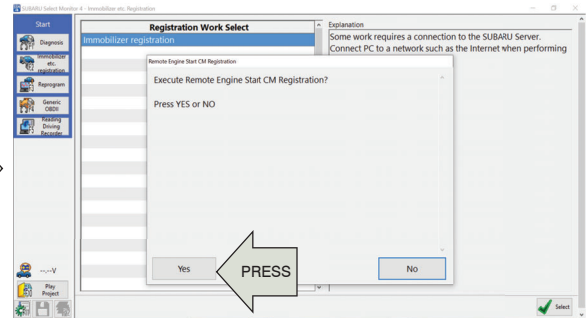
10 SYSTEM REGISTRATION, continued

REGISTRATION, continued

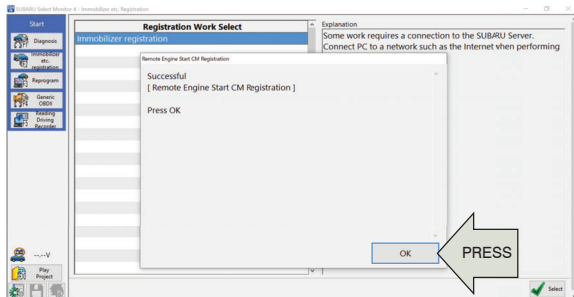
5. ENTER AUTHENTICATION KEY AND PRESS CONNECTION



6. PRESS YES TO EXECUTE REGISTRATION



WAIT FOR BIU TO COMMUNICATE WITH RES CONTROL MODULE



Registration Complete

7. REGISTRATION SUCCESSFUL, PRESS OK

11 POST INSTALLATION CHECKLIST

- 1. REMOTE ENGINE START- Ensure the Access key is removed from the vehicle, the engine hood, all doors and trunk are closed. Press the START button on the remote start transmitter two (2) times within three (3) seconds. The vehicle's parking lights should flash and the vehicle's horn should honk one (1) time and then the vehicle should crank and start. Once started, the transmitter LED will flash two (2) times and the parking lights will turn on and stay on signifying the vehicle is running. The transmitter LED will flash one (1) time every three (3) seconds signifying the vehicle is still running.

NOTE: If the vehicle does NOT respond to the remote start transmitters, proceed to SECTION 12 for the TRANSMITTER PROGRAMMING procedure.

- 2. CUSTOMER TAKE OVER - While the vehicle is running by the remote engine start, wait at least five (5) seconds and then confirm that all functions (lock, unlock & trunk, but not panic) operate properly on the Access key (FACTORY transmitter). Once the Access key functionality is confirmed, press the UNLOCK button on the Access key, open the driver's door and enter the vehicle with the Access key. Press and hold the brake pedal, press the ENGINE START/STOP button on the dashboard one (1) time and move the shift position lever from the "P" position to the "D" position and back to the "P" position. The remote engine start should shut down and the transmitter LED should flash three (3) times indicating the system has shut down, but the engine should remain running. Press the ENGINE START/STOP button on the dashboard one (1) time to turn off the vehicle.

- 3. ACTIVATION WITH DOOR UNLOCKED - Ensure the Access key is removed from the vehicle, the engine hood, all doors and trunk are closed and the driver's door is unlocked. Press the START button on the remote start transmitter two (2) times within three (3) seconds. The vehicle's parking lights should flash and the vehicle's horn should honk six (6) times. The vehicle should not start with the driver's door unlocked.

- 4. ACTIVATION WITH DOOR OPEN - Ensure the Access key is removed from the vehicle and the engine hood and trunk are closed. Open the driver's door and press the START button on the remote start transmitter two (2) times within three (3) seconds. The vehicle's parking lights should flash and the vehicle's horn should honk six (6) times. The vehicle should not start with any door or trunk opened.

- 5. HOOD SAFETY SWITCH - Open the engine hood and activate the remote engine start. The vehicle's parking lights should flash and the vehicle's horn should honk two (2) times. The vehicle should not start when the hood safety switch is activated.



- 6. HEATER / AC FUNCTION - With the Access key inside the vehicle, press the ENGINE START/STOP button on the dashboard two (2) times to turn ON the ignition. Preset the vehicle's heater or air conditioning to the ON position. Press the ENGINE START/STOP button on the dashboard one (1) time to turn OFF the ignition and remove the Access key from the vehicle. Activate the remote engine start and verify that the heater or air conditioning turns on to the preset setting for manual climate controlled vehicles or turns to the "Full Auto" setting for electronic climate control vehicles.

NOTE: The display may not show the current HVAC function during RES mode. To ensure proper operation, verify that there is air moving from the dashboard vents.

- 7. 15 MINUTE RUN TIME - Activate the remote engine start and allow the system to run for the 15 minute preset run time. The remote engine start should shut down after 15 minutes (+/- 10 seconds).
- 8. TRANSMITTER FUNCTIONALITY VERIFICATION - Activate the remote engine start using both of the supplied single button remote start transmitters.
- 9. ACCESS KEY (Factory Transmitter) VERIFICATION - Activate the remote engine start using an Access key by pressing the LOCK button two (2) times within two (2) seconds and then pressing and holding the LOCK button for three (3) seconds until the parking lights flash.

FUNCTIONAL TESTING IS NOW COMPLETE.

PART NUMBER H001SSL000	ISSUE 00	DATE 8 Jun 2023	SUBARU OF AMERICA	10 OF 11
---------------------------	-------------	--------------------	-------------------	----------

1. Open the driver's door and enter the vehicle. The driver's door must remain open throughout the entire programming process. Ensure all other vehicle doors, the engine hood and trunk are closed.
2. Verify that the transmission shifter is in the "park" position.
3. Turn the ignition "ON" then "OFF", "ON" then "OFF", "ON" then "OFF", then back "ON" and leave on throughout the entire programming process. *(Turn ON the ignition by pressing the Engine Start/Stop button on the dashboard two (2) times with an Access Key inside the vehicle. Do not press the brake pedal or the engine will start.)* (ON/OFF ignition cycles must be completed within twenty (20) seconds.)
4. The system will flash the side marker lights, taillights and parking lights and honk the horn three (3) times indicating that the system has entered transmitter learn mode.
5. Press and hold the  button on the transmitter to be learned for three (3) seconds until the system flashes the side marker lights, taillights and parking lights and honks the horn one (1) time, indicating that the system has learned the transmitter. Release the  button. Upon successful programming, the remote start transmitter may flash/beep one (1) time.
6. Repeat step five (5) for additional transmitters. The system will accept up to eight (8) transmitters.
7. Turn the ignition OFF to exit transmitter learn mode.
8. Return to SECTION 11 to perform the POST INSTALLATION CHECKLIST.

NOTE: The system will exit the transmitter learn mode if the ignition is turned OFF, the driver's door is closed or thirty (30) seconds of inactivity.

PART NUMBER H001SSL000	ISSUE 00	DATE 8 Jun 2023	SUBARU OF AMERICA	11 OF 11
---------------------------	-------------	--------------------	-------------------	----------

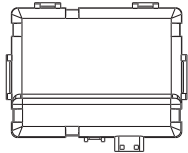


PIÈCES D'ORIGINE
INSTRUCTIONS
D'INSTALLATION

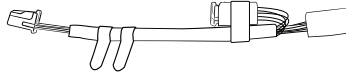
NUMÉRO DE PIÈCE : H001SSL000

DESCRIPTION : SYSTÈME DE DÉMARRAGE À LONGUE DISTANCE PAR BOUTON-POUSSOIR SUR FORESTER

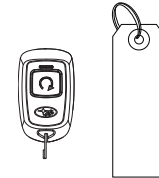
1 CONTENU DE LA TROUSSE



Module de démarrage à distance (UCE)
Quantité = 1



Faisceau de câblage
Faisceau de câblage
Quantité = 1



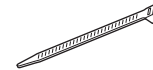
Faisceau de câblage avec étiquettes de mise en garde
Quantité = 2



Étiquette de mise en garde du compartiment moteur
Quantité = 1



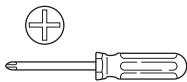
Carte de référence rapide
Quantité = 1 en anglais,
1 en français



Attache autobloquante 39 cm
Quantité = 5*

* Les éléments en extra dans la trousse sont des pièces de rechange. Suivez les instructions pour installer chaque pièce correctement.

2 OUTILS REQUIS



Tournevis Phillips



Outil de dépose de panneau



Coupe-fils



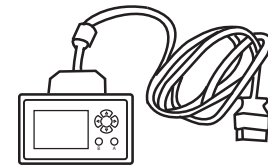
Clé à rochet, douille de 10 mm et rallonge



Clé dynamométrique



Alcool et chiffon



SSM4 (DST-i)
Interface de diagnostic et ordinateur portable sur réseau

3 SIGNIFICATION DES SYMBOLES



: Retirer

T

: Couple de serrage



: Installer



: Desserrer



: Déconnecter



: Mettre au rebut



: Connecter



: Réutiliser



: Emplacement de l'attache ou de la vis

MISE EN GARDE : N'ATTACHEZ JAMAIS LE FAISCEAU DU DÉMARREUR À DISTANCE À DES FAISCEAUX OU CONNECTEURS JAUNES (SYSTÈME DE COUSSINS GONFLABLES) DANS LE VÉHICULE.

NUMÉRO DE PIÈCE
H001SSL000

VERSION
00

DATE
8 juin 2023

SUBARU OF AMERICA

1 DE 11

4 PRÉPARATION DU VÉHICULE

1. À l'aide d'une clé à rochet/douille de 10 mm, déconnectez le câble négatif de la batterie. (FIGURE A)

REMARQUE : Ne débranchez pas la cosse de batterie de la borne de la batterie.

2. Ouvrez la boîte à gants et appuyez sur les côtés de la boîte pour libérer les languettes de retenue du couvercle intérieur. Dégagez le support de la boîte à gants. (FIGURE B)

3. À l'aide d'un outil de dépose de panneau, appuyez délicatement sur le bas pour dégager trois (3) attaches à pression pour retirer le panneau de finition sous le tableau de bord du côté passager. (FIGURE C)

4. À l'aide d'un outil de dépose de panneau, enlevez délicatement le côté droit du tableau de bord en partant de l'encoche d'accès du bas vers le haut pour libérer les six (6) attaches à pression. (FIGURE D)

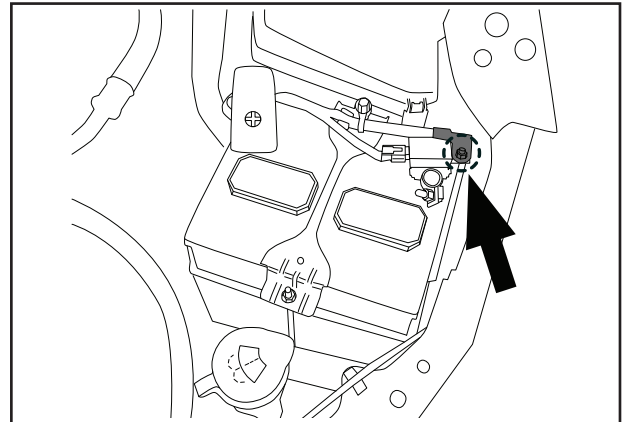


FIGURE A

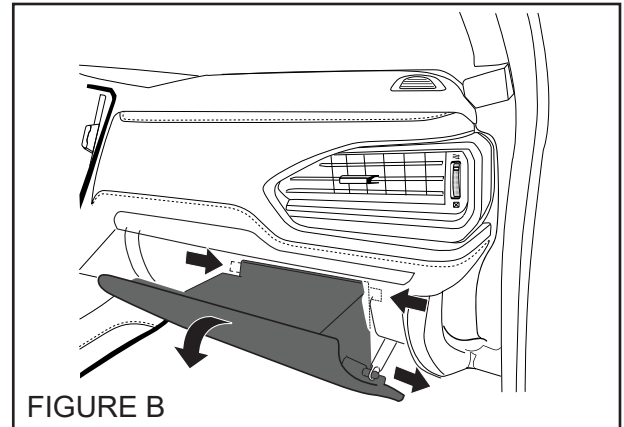


FIGURE B

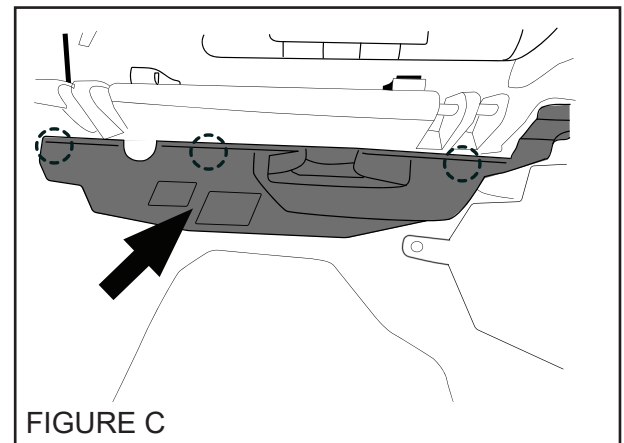


FIGURE C

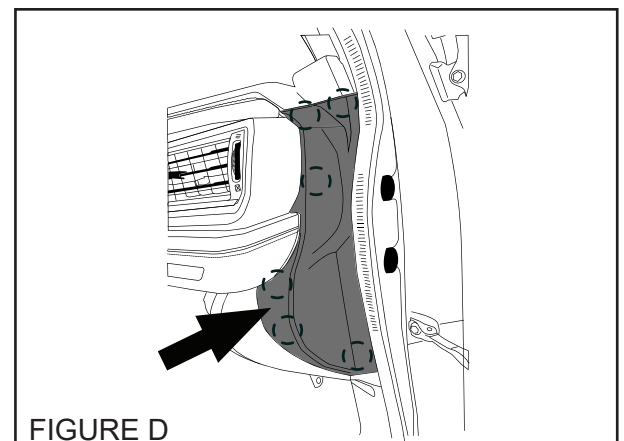
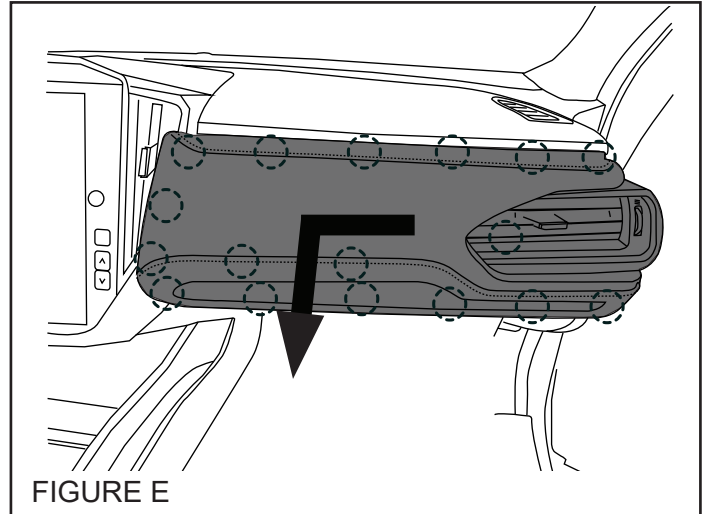


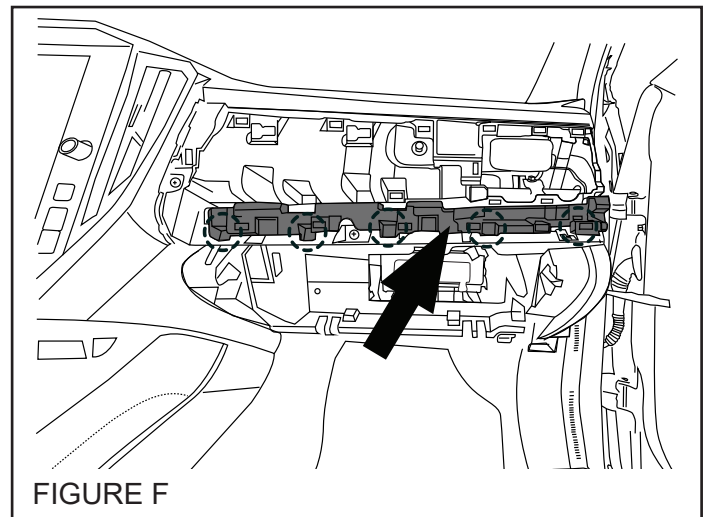
FIGURE D

4 PRÉPARATION DU VÉHICULE (suite)

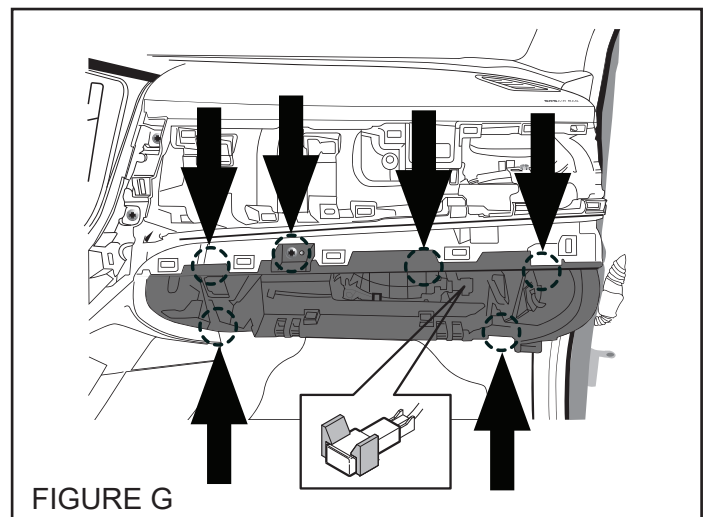
5. À l'aide de l'outil correspondant, retirez délicatement le panneau de bouche d'air supérieur en tirant vers l'arrière pour libérer les dix-sept (17) attaches à pression. Déplacez le panneau dans le sens de la flèche pour libérer le crochet et retirer le panneau de bouche d'air supérieur. (FIGURE E)



6. À l'aide de l'outil correspondant, retirez délicatement le panneau de montage de la bouche d'air supérieur en commençant par l'arrière du coin inférieur droit pour dégager les cinq (5) attaches à pression. Tirez vers l'arrière pour retirer le panneau de montage de la bouche d'air supérieur. (FIGURE F)

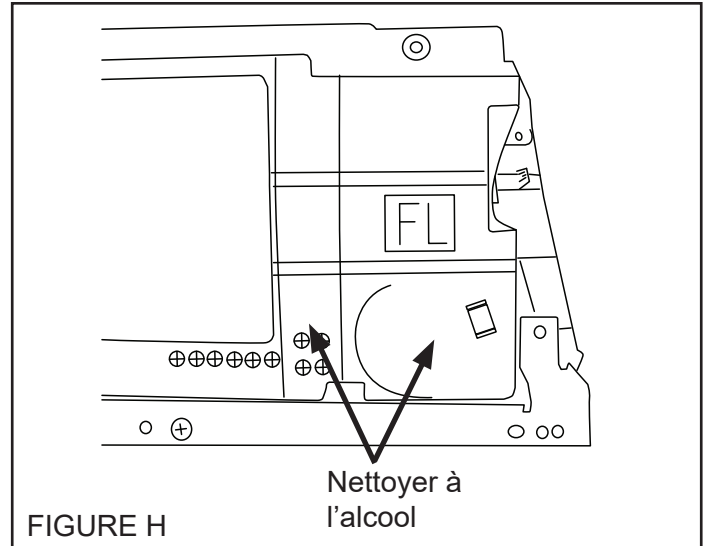


7. À l'aide du tournevis Phillips, retirez les six (6) vis Phillips qui maintiennent le couvercle intérieur de la boîte à gants. Libérez les six (6) attaches à pression et débranchez le connecteur de la lampe de la boîte à gants pour retirer le couvercle intérieur. (FIGURE G)

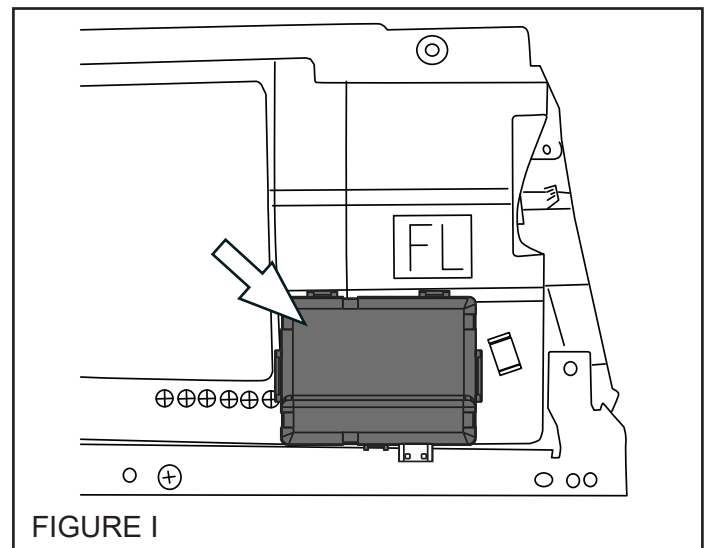


5 INSTALLATION DE L'UCE DU DÉMARREUR À DISTANCE

1. Repérez le couvercle intérieur de la boîte à gants. Avec de l'alcool, nettoyez l'arrière du couvercle de la boîte à gants, comme illustré. (FIGURE H)

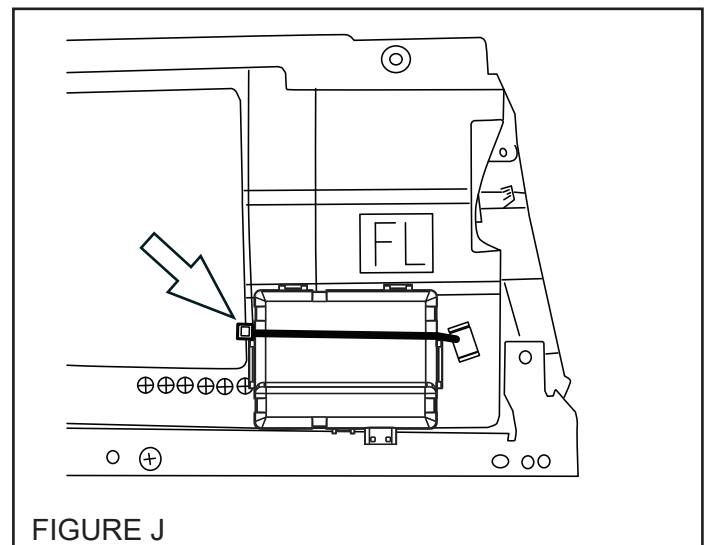


2. Repérez l'UCE de démarrage à distance. Retirez les deux (2) pellicules de protection du ruban adhésif double face de l'UCE et fixez l'UCE de démarrage à distance au couvercle intérieur de la boîte à gants, comme illustré. Assurez-vous que le ruban double face de l'UCE n'entre pas en contact avec les lignes de relief et qu'il est placé à plat contre la partie inférieure du couvercle intérieur. Appuyez fermement pendant au moins 30 secondes. (FIGURE I)



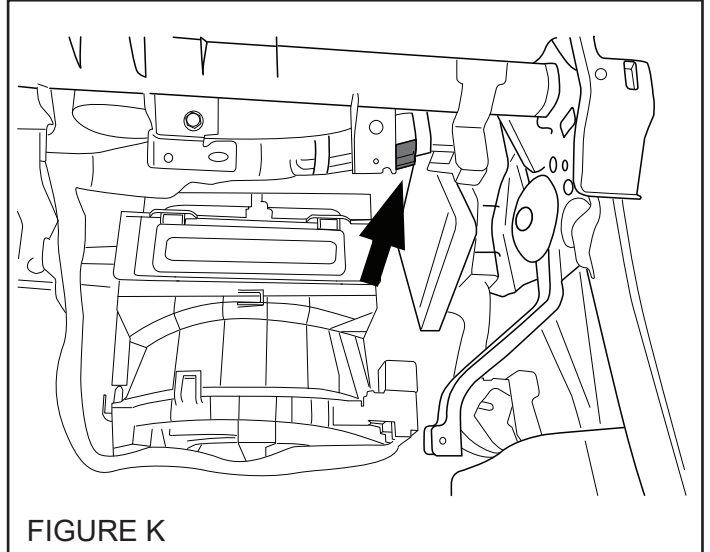
REMARQUE : Assurez-vous que les connecteurs de l'UCE sont orientés vers le bas lorsque le couvercle intérieur est remplacé.

3. À l'aide d'une (1) attache autobloquante de 39 cm fournie, fixez l'UCE de démarrage à distance au couvercle intérieur de la boîte à gants. Coupez l'excédent de l'attache autobloquante. (FIGURE J)

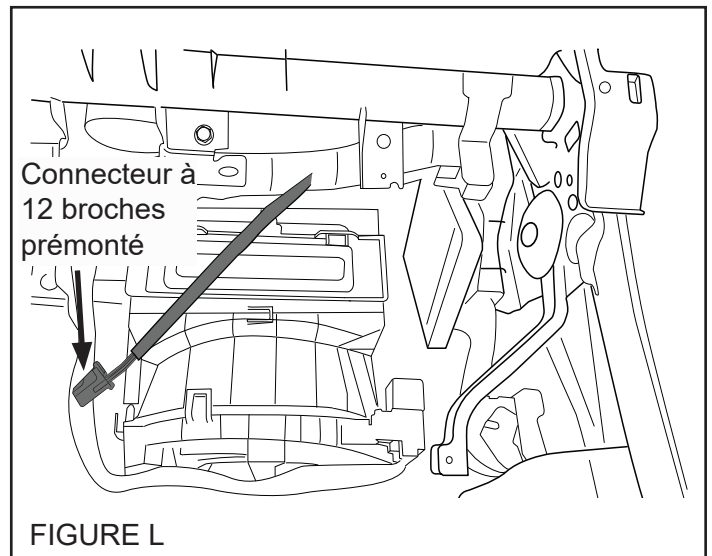


6 CONNEXIONS DU FAISCEAU CAVALIER PRÉMONTÉ

1. Repérez le connecteur prémonté à 12 broches fixé au faisceau de câblage du véhicule par du ruban Breakaway, près de la partie supérieure de la boîte à gants côté passager. (FIGURE K)

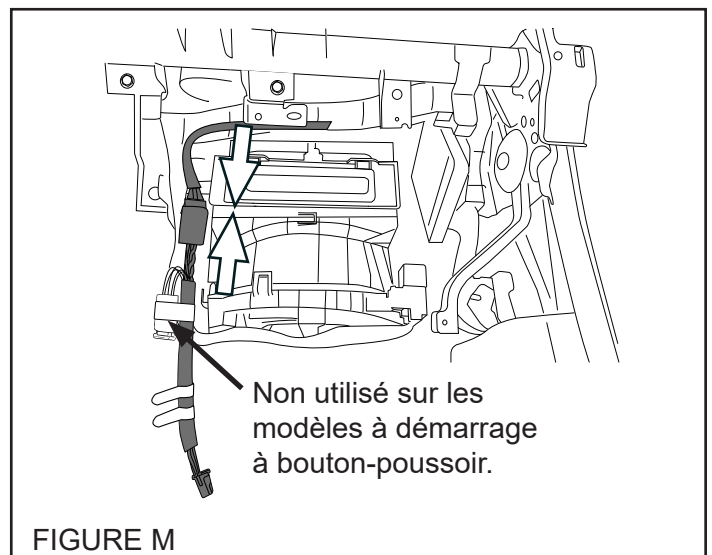


2. Libérez le connecteur prémonté à 12 broches montés sur le véhicule du ruban Breakaway. (FIGURE L)



3. Branchez le connecteur à 12 broches du faisceau de câblage du démarreur à distance fourni dans le connecteur prémonté correspondant. (FIGURE M)

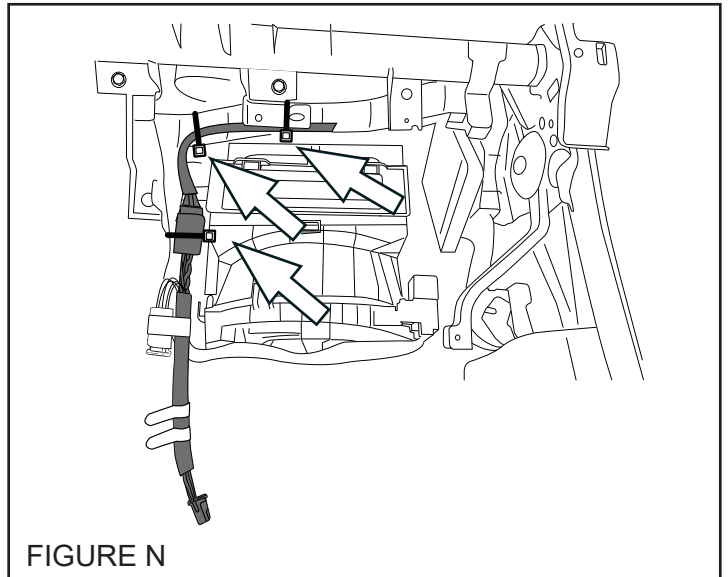
REMARQUE : Le connecteur à 8 broches du démarreur à distance (fixé par du ruban au faisceau de câblage du démarreur à distance fourni) n'est pas utilisé ou applicable sur les modèles à démarrage à bouton-poussoir.



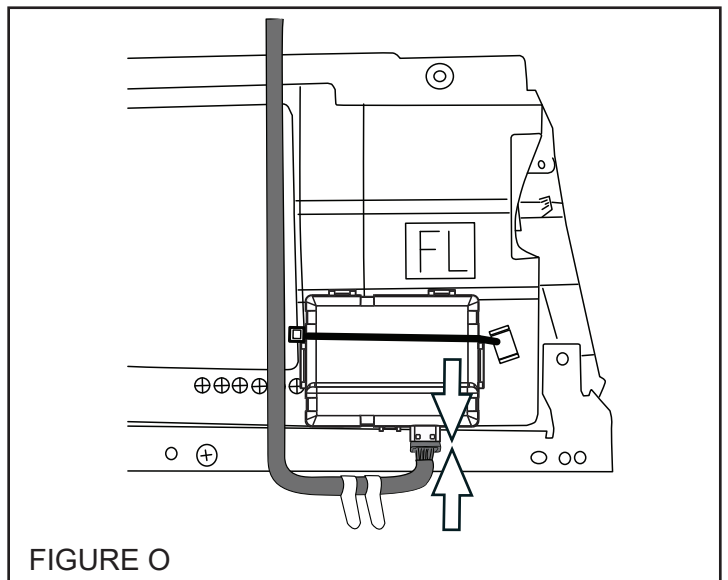
6 CONNEXIONS DU FAISCEAU CAVALIER PRÉMONTÉ (suite)

4. Fixez le faisceau de câblage prémonté au faisceau de câblage du véhicule à l'aide des deux (2) attaches autobloquantes de 39 cm fournies. Coupez l'excédent des attaches autobloquantes. (FIGURE N)

Fixez le faisceau de câblage prémonté du démarreur à distance au faisceau de câblage du véhicule à l'aide d'une (1) attache autobloquante de 39 cm fournie. Coupez l'excédent des attaches. (FIGURE N)



5. Branchez le connecteur à 8 broches du faisceau de câblage du démarreur à distance fourni dans la prise à 8 broches de l'UCE du démarreur à distance, précédemment monté sur l'envers du couvercle intérieur de la boîte à gants (SECTION 5). (FIGURE O)

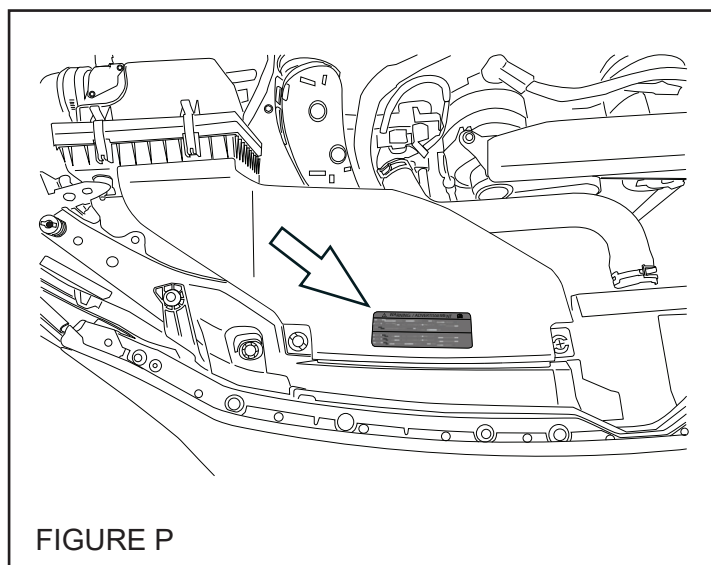


7 REMONTAGE DU PANNEAU

1. Rebranchez le connecteur de la lampe sur le couvercle intérieur de la boîte à gants. Installez le couvercle intérieur de la boîte à gants au moyen des six (6) attaches à pression et fixez-le avec six (6) vis Phillips.
2. Installez le panneau de montage de la bouche d'air supérieur en engageant les cinq (5) attaches à pression.
3. Installez le panneau de bouche d'air supérieur en engageant le crochet et les dix-sept (17) attaches à pression.
4. Installez le panneau du côté droit du tableau de bord au moyen des six (6) attaches à pression.
5. Réinstallez le panneau de finition sous le tableau de bord du côté passager en engageant les trois (3) attaches à pression.
6. Installez la boîte à gants et le support.
7. À la fin de l'installation, glissez la Carte de référence rapide dans le dossier du propriétaire.

8 ÉTIQUETTE DE MISE EN GARDE DU COMPARTIMENT MOTEUR

1. En utilisant de l'alcool, nettoyez la partie supérieure de la chambre d'admission d'air à proximité du support de faisceau de radiateur.
2. Retirez l'endos adhésif de l'étiquette de mise en garde du compartiment moteur et collez-la sur le haut de la chambre d'admission d'air, comme illustré. (FIGURE P)

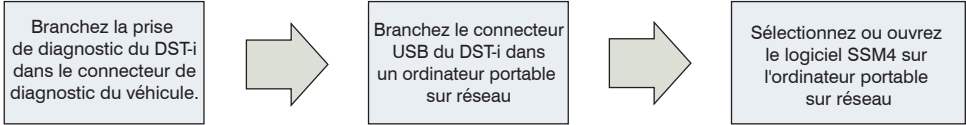


9 DÉMARRAGE DU SYSTÈME

1. Une fois toutes les connexions terminées, rebranchez le câble négatif de la batterie du véhicule. À l'aide de la clé à rochet/douille/rallonge de 10 mm, serrez l'écrou de 10 mm à 7,5 +/- 2 Nm (0,76 +/- 0,2 kgfm ou 5,5 +/- 1,5 lb-pi).
2. Faites démarrer le véhicule au moins une (1) fois avec la clé d'accès avant d'essayer le système de démarrage à distance. Cette précaution est nécessaire pour permettre aux systèmes électroniques du véhicule de se resynchroniser.
3. Pendant que le moteur est en marche avec la clé d'accès, vérifiez si le témoin de coussin gonflable du tableau de bord s'éteint. Si le témoin de coussin gonflable reste allumé, reportez-vous à l'information de service après-vente du véhicule pour avoir des précisions sur le dépannage.
4. Pour restaurer les fonctions des glaces électriques, consultez la procédure de réinitialisation des glaces à commande électrique dans le manuel du propriétaire du véhicule.

10 ENREGISTREMENT DU SYSTÈME – ASSUREZ-VOUS QUE LE LOGICIEL A ÉTÉ MIS À JOUR À LA DERNIÈRE VERSION AVANT DE TENTER D'ENREGISTRER LE SYSTÈME.

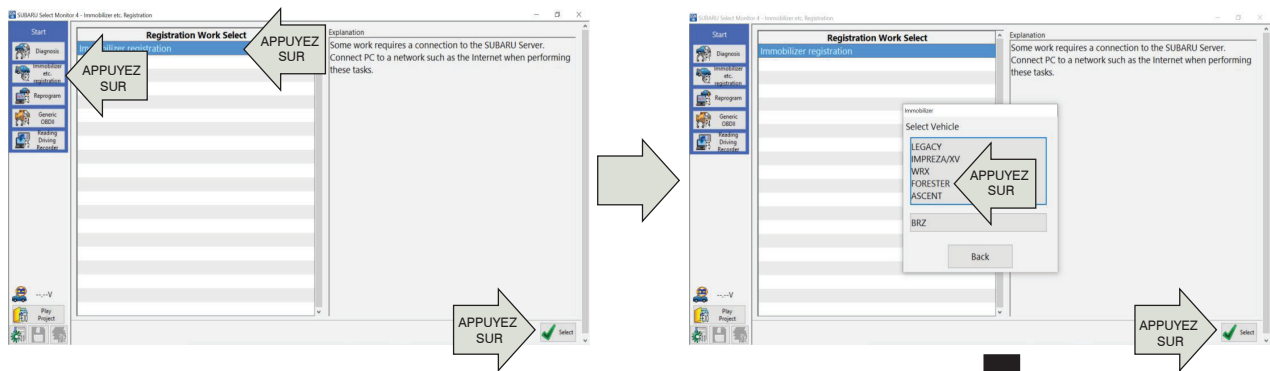
CONFIGURATION DU DST-i



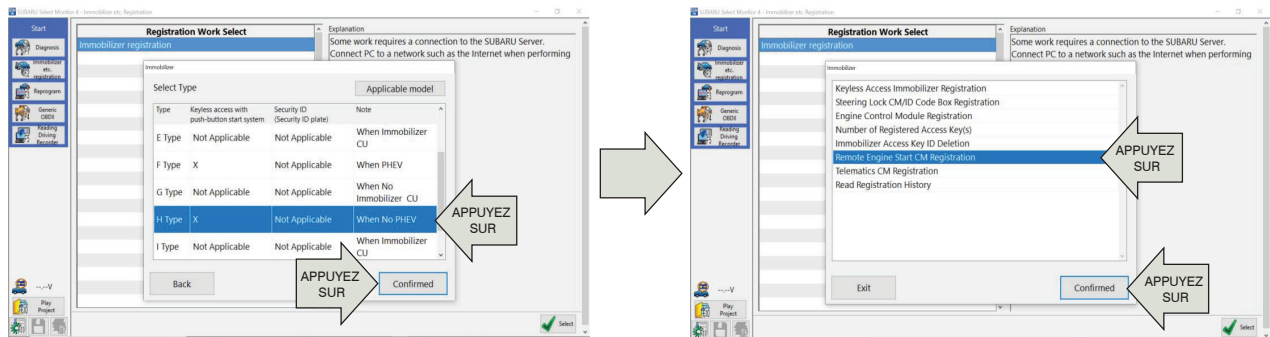
ENREGISTREMENT

1. APPUYEZ SUR IMMOBILIZER ETC. REGISTRATION, APPUYEZ SUR IMMOBILIZER REGISTRATION, PUIS APPUYEZ SUR SELECT

2. APPUYEZ SUR FORESTER, PUIS APPUYEZ SUR SELECT



Mettez le contact avec la clé d'accès à l'intérieur du véhicule.

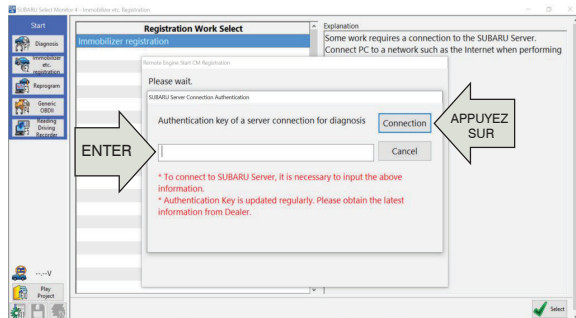


3. APPUYEZ SUR TYPE H POUR LES MODÈLES À DÉMARRAGE À BOUTON-POUSSOIR, APPUYEZ SUR CONFIRMED ET ATTENDEZ QUE L'ORDINATEUR PORTABLE ÉTABLISSE LA CONNEXION

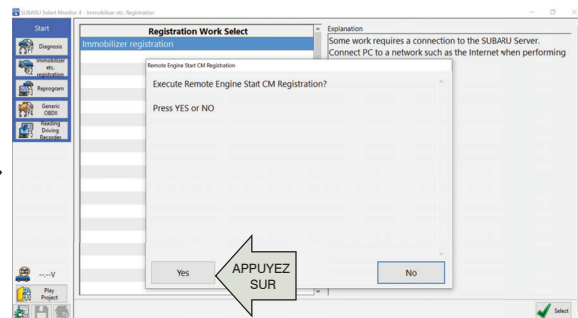
4. APPUYEZ SUR REMOTE ENGINE START CM REGISTRATION, PUIS APPUYEZ SUR CONFIRMED

ENREGISTREMENT, suite

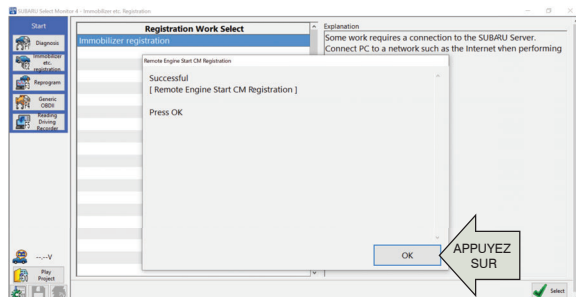
5. ENTREZ LA CLÉ D'AUTHENTIFICATION, PUIS APPUYEZ SUR CONNECTION



6. APPUYEZ SUR YES POUR EXÉCUTER L'ENREGISTREMENT



ATTENDEZ QUE LE BIU COMMUNIQUE AVEC LE MODULE DE COMMANDE RES



L'enregistrement est terminé

7. ENREGISTREMENT RÉUSSI, APPUYEZ SUR OK

11 LISTE DE CONTRÔLE APRÈS INSTALLATION



1. DÉMARRAGE À DISTANCE – Assurez-vous que la clé d'accès est retirée du véhicule et que le capot ainsi que toutes les portes sont fermés, y compris le coffre. Appuyez sur le bouton START de la télécommande de démarrage à distance deux (2) fois en trois (3) secondes. Les feux de stationnement du véhicule doivent clignoter et l'avertisseur doit retentir une (1) fois, puis le véhicule doit démarrer. Une fois que le véhicule a démarré, le témoin à DEL de la télécommande clignote deux (2) fois et les feux de stationnement s'allument, ce qui indique que le moteur tourne. Le témoin à DEL de la télécommande clignote une (1) fois toutes les trois (3) secondes, ce qui indique que le moteur tourne toujours.

REMARQUE : Si le véhicule ne répond PAS aux télécommandes de démarrage à distance, passez à la SECTION 12 pour connaître la procédure de PROGRAMMATION DE LA TÉLÉCOMMANDE.

2. PRISE DE COMMANDE PAR LE CONDUCTEUR – Pendant que le moteur est en marche après un démarrage à distance, attendez au moins cinq (5) secondes, puis vérifiez la bonne marche de toutes les fonctions (verrouillage, déverrouillage, coffre, sauf le bouton d'alarme) sur la clé d'accès (télécommande D'ORIGINE). Après avoir vérifié le bon fonctionnement de la clé d'accès, appuyez sur le bouton de DÉVERROUILLAGE de la clé d'accès, ouvrez la porte du conducteur et entrez dans le véhicule avec la clé d'accès. Appuyez sur la pédale de frein et maintenez-la enfoncée, appuyez une (1) fois sur le bouton de MARCHE/ARRÊT DU MOTEUR sur le tableau de bord, puis déplacez le levier de vitesse de la position « P » (stationnement) à la position « D » (marche avant) et de nouveau à la position « P ». Le démarreur à distance doit s'arrêter et le témoin à DEL de la télécommande doit clignoter trois (3) fois pour indiquer l'arrêt du système, mais le moteur doit continuer de tourner. Appuyez une (1) fois sur le bouton de démarrage et d'arrêt du moteur sur le tableau de bord pour arrêter le véhicule.
3. ACTIVATION AVEC PORTE DÉVERROUILLÉE – Assurez-vous que la clé d'accès est retirée du véhicule, puis que le capot, toutes les portes et le coffre sont fermés et que la porte du conducteur est déverrouillée. Appuyez sur le bouton START de la télécommande de démarrage à distance deux (2) fois en trois (3) secondes. Les feux de stationnement du véhicule doivent clignoter et l'avertisseur doit retentir six (6) fois. Le véhicule ne doit pas démarrer si la porte du conducteur est déverrouillée.
4. ACTIVATION AVEC PORTE OUVERTE – Assurez-vous que la clé d'accès est retirée du véhicule et que le capot et le couvercle du coffre sont fermés. Ouvrez la porte du conducteur et appuyez sur le bouton START (démarrage) de la télécommande de démarrage à distance deux (2) fois en trois (3) secondes. Les feux de stationnement du véhicule doivent clignoter et l'avertisseur doit retentir six (6) fois. Le moteur ne doit pas démarrer si l'une des portes ou le coffre est ouvert.
5. CONTACTEUR DE SÉCURITÉ DU CAPOT – Ouvrez le capot et activez le démarrage à distance. Les feux de stationnement du véhicule doivent clignoter et l'avertisseur doit retentir deux (2) fois. Le véhicule ne doit pas démarrer quand le contacteur de sécurité du capot est activé.
6. FONCTIONNEMENT DU SYSTÈME DE CHAUFFAGE/CLIMATISATION – Avec la clé d'accès à l'intérieur du véhicule, appuyez deux (2) fois sur le bouton de démarrage et d'arrêt du moteur sur le tableau de bord pour mettre le contact. Mettez en marche le chauffage ou la climatisation. Appuyez une (1) fois sur le bouton de démarrage et d'arrêt du moteur sur le tableau de bord pour couper le contact, puis retirez la clé d'accès du véhicule. Activez le démarreur à distance et vérifiez si le chauffage ou la climatisation se met en marche au réglage choisi avant la coupure du contact, s'il s'agit d'un système CVC manuel, ou au réglage maximum automatique, s'il s'agit d'un système CVC électronique.
- REMARQUE : Il est possible que l'écran n'affiche pas la fonction CVC en cours en mode de démarrage à distance. Pour assurer un bon fonctionnement, vérifiez que de l'air circule par les bouches d'air du tableau de bord.**
7. DURÉE MAXIMALE DE FONCTIONNEMENT DE 15 MINUTES – Activez le démarrage à distance et laissez le moteur tourner pendant 15 minutes. Le démarreur à distance devrait arrêter le moteur après 15 minutes (+/- 10 secondes).
8. VÉRIFICATION DU FONCTIONNEMENT DE LA TÉLÉCOMMANDE – Activez le démarrage à distance tour à tour avec les deux télécommandes de démarrage à distance à un bouton fournies.
9. VÉRIFICATION DE LA CLÉ D'ACCÈS (télécommande d'origine) – Activez le démarrage à distance du moteur à l'aide d'une clé d'accès en appuyant deux (2) fois sur le bouton de VERROUILLAGE dans les deux (2) secondes, puis en appuyant à nouveau pendant trois (3) secondes jusqu'à ce que les feux de stationnement clignotent.

L'ESSAI DE FONCTIONNEMENT EST MAINTENANT TERMINÉ.

NUMÉRO DE PIÈCE H001SSL000	VERSION 00	DATE 8 juin 2023	SUBARU OF AMERICA	10 DE 11
-------------------------------	---------------	---------------------	-------------------	----------

1. Ouvrez la porte du conducteur et entrez dans le véhicule. La porte du conducteur doit demeurer ouverte tout au long du processus de programmation. Assurez-vous que toutes les autres portes du véhicule, le capot et le coffre sont fermés.
2. Assurez-vous que le levier de vitesses est à la position « P » (stationnement).
3. Mettez le contact et coupez le moteur, remettez le contact et coupez le moteur, remettez le contact et coupez le moteur, puis remettez le contact et laissez le processus de programmation se dérouler. *(Mettez le contact en appuyant deux (2) fois sur le bouton de démarrage/arrêt du moteur du tableau de bord, avec une clé d'accès à l'intérieur du véhicule. N'appuyez pas sur la pédale de frein, pour éviter que le moteur démarre.)* (Les cycles d'allumage MARCHE/ARRÊT doivent être effectués en moins de vingt (20) secondes.)
4. Le système fait clignoter les feux de position, les feux arrière et les feux de stationnement et fait retentir l'avertisseur sonore trois (3) fois pour indiquer que le système a entré le mode d'apprentissage de télécommande.
5. Maintenez enfoncé le bouton  de la télécommande à programmer pendant trois (3) secondes jusqu'à ce que le système fasse clignoter les feux de position, les feux arrière et les feux de stationnement, puis fasse retentir l'avertisseur sonore une (1) fois, ce qui indique que le système a accepté la télécommande. Relâchez le bouton.  Une fois la programmation réussie, la télécommande de démarrage à distance peut clignoter ou émettre un signal sonore une (1) fois.
6. Répétez l'étape cinq (5) pour les autres télécommandes. Le système accepte jusqu'à huit (8) télécommandes.
7. Coupez le contact pour quitter le mode d'apprentissage de télécommande.
8. Retournez à la SECTION 11 pour effectuer la LISTE DE VÉRIFICATION APRÈS L'INSTALLATION.

REMARQUE : Le système quitte le mode d'apprentissage de télécommande dans les conditions suivantes : contact coupé, porte du conducteur fermée ou trente (30) secondes d'inactivité.

NUMÉRO DE PIÈCE H001SSL000	VERSION 00	DATE 8 juin 2023	SUBARU OF AMERICA	11 DE 11
-------------------------------	---------------	---------------------	-------------------	----------