

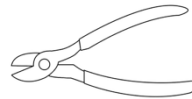
- KIT CONTENTS: 1. Illuminated Door Sill Plate Set: Left and Right
2. Wire Ties (6)
3. Foam Pads (2)



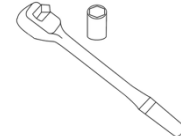
TOOLS REQUIRED: Panel Safe Tool



Cutter



10mm Socket and Driver



MEANING OF CHARACTERS:



Denotes quality processes to be checked prior to moving to the next step.



Denotes specific tools that are necessary to complete the step.



Denotes cautions to be taken to avoid physical injury or electronic component damage.



Denotes cautions to be taken to avoid vehicle and component damage.



Claw



Clip

PREPARATION – BEFORE INSTALLATION

1. This product should be installed with proper installation tools.
2. Install this product while observing all warnings and precautions stated in this instruction booklet.
3. Read entire installation guide prior to beginning the installation of the accessory.
4. Ensure vehicle is properly protected from damage during installation.
5. Never place tools or parts on top of painted surfaces, seats, dash pad, console or floor carpet / mat.
6. Always wear appropriate safety gear to include gloves and eye protection when required.



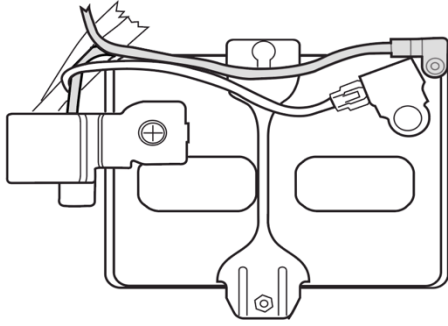
**SUBARU**

INSTALLATION INSTRUCTIONS

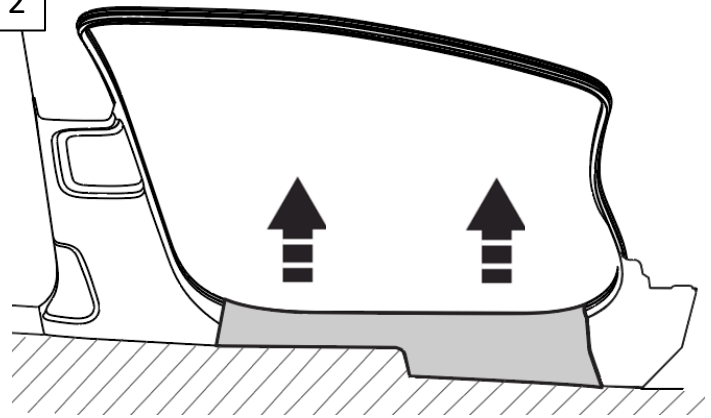
PART NUMBER: H461SAR000

DESCRIPTION: Side Sill Plates – Illuminated

1



2



Shock hazard present



Socket and Ratchet

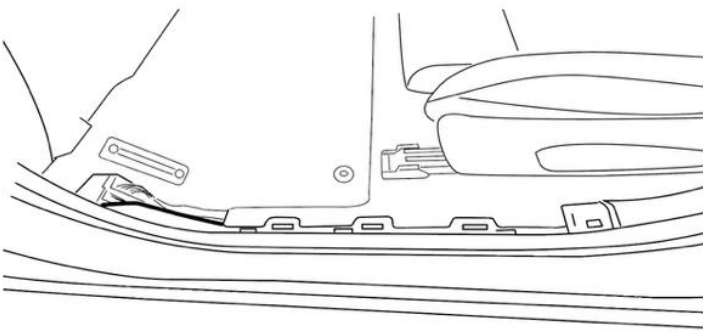
Disconnect ground terminal from battery sensor. Wait at least 60 seconds before starting work.



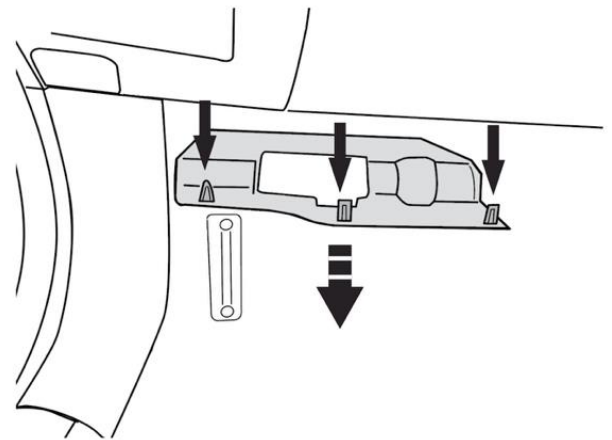
Panel safe tool

Starting on left side, remove existing door sill plate.

3



4

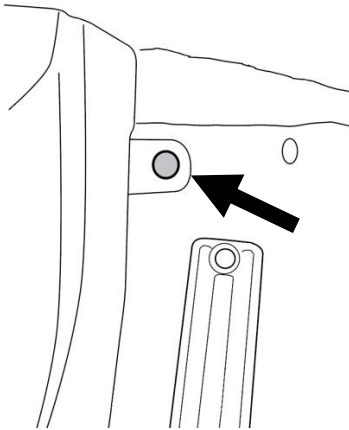


Panel safe tool

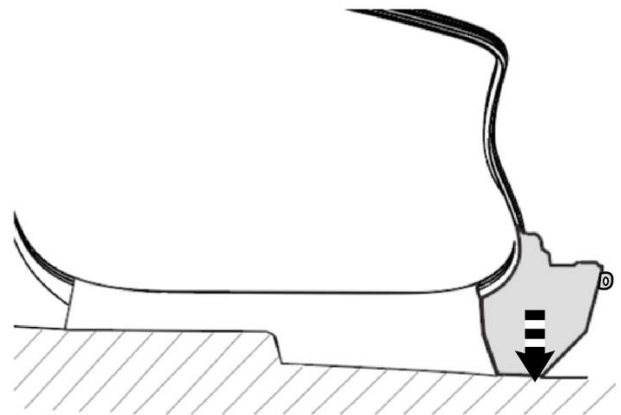
View of sill with sill plate removed.

Remove lower cover.

5



6



Panel safe tool

Turn fastener counter-clockwise and remove from forward trim panel. Save fastener for reinstallation in step 17.



Panel safe tool

Remove forward trim panel. Pull panel towards vehicle interior.

DESCRIPTION  
Side Sill Plates – Illuminated

ISSUE  
01

DATE  
07/11/25

SUBARU OF AMERICA

PAGE  
2 / 5



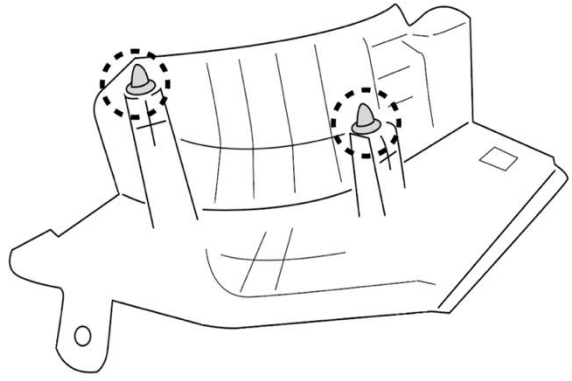
**SUBARU**

INSTALLATION INSTRUCTIONS

PART NUMBER: H461SAR000

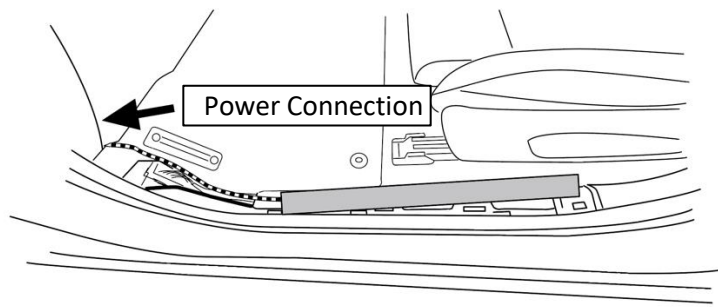
DESCRIPTION: Side Sill Plates – Illuminated

7



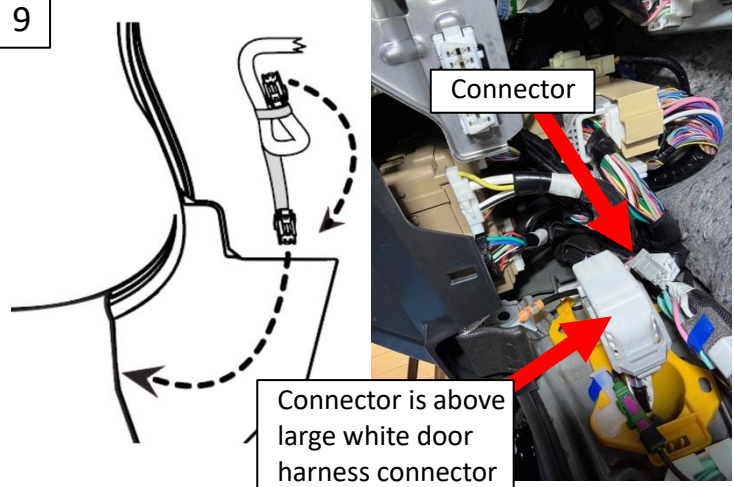
Verify clips disengaged from vehicle remained on the forward trim panel.

8



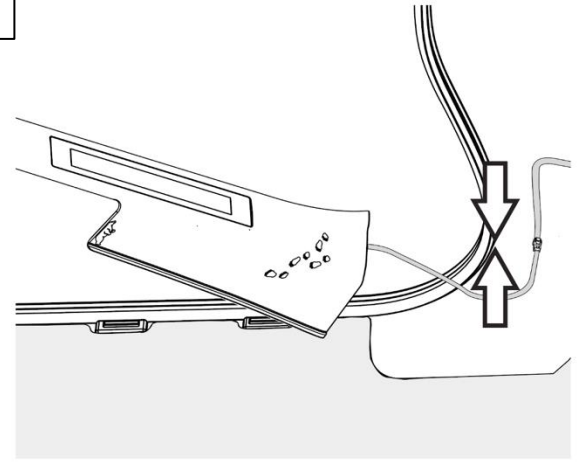
Overview of harness. Do not install at this time.

9



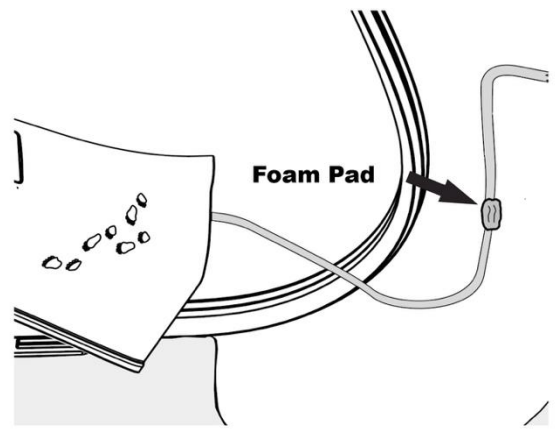
Unwrap vehicle prewire harness and connector and extend harness downward.

10



Wire will follow route as shown. Connect illuminated door sill to vehicle connector.

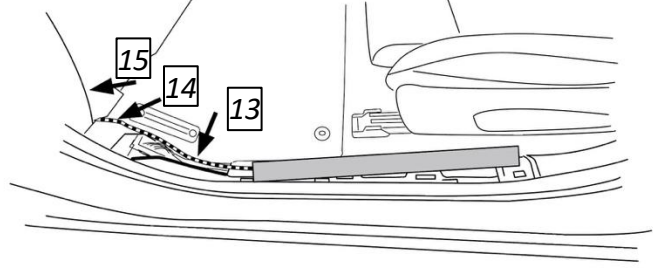
11



Wrap connection with foam pad. Connection will be secured with a wire tie in step 15.

12

Arrows indicates general locations. Refer to step numbers for picture of actual locations.



Some slack may be needed to properly attach door sill.

Using 3 wire ties, loosely secure door sill harness to vehicle harness. Wire ties should not be spaced more than 150mm apart.



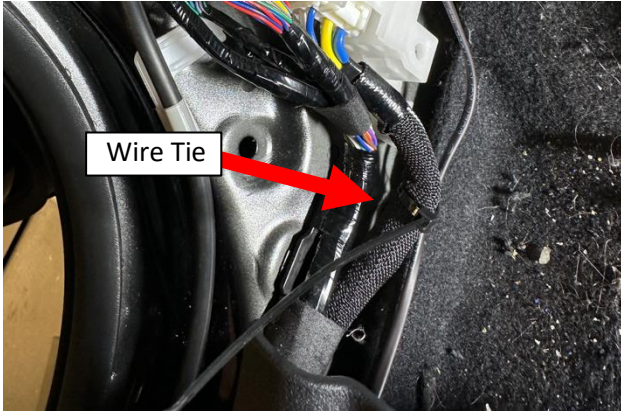
**SUBARU**

INSTALLATION INSTRUCTIONS

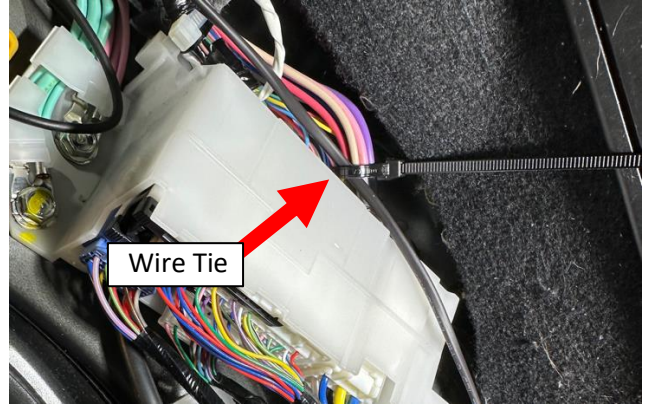
PART NUMBER: H461SAR000


DESCRIPTION: Side Sill Plates – Illuminated

13




14



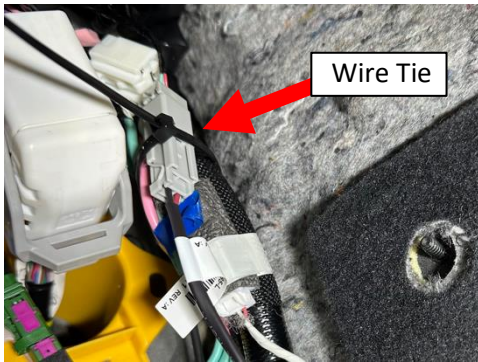
 Cutter

Secure wire tie. Trim wire tie.

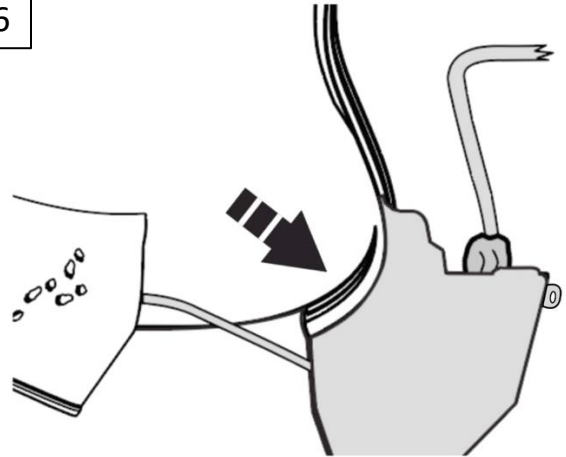
 Cutter

Secure wire tie. Trim wire tie.


15



16



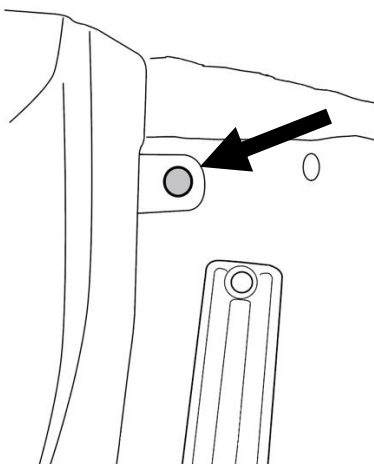
 Cutter

 Verify foam pad is applied from step 11, (not shown), before applying wire tie.

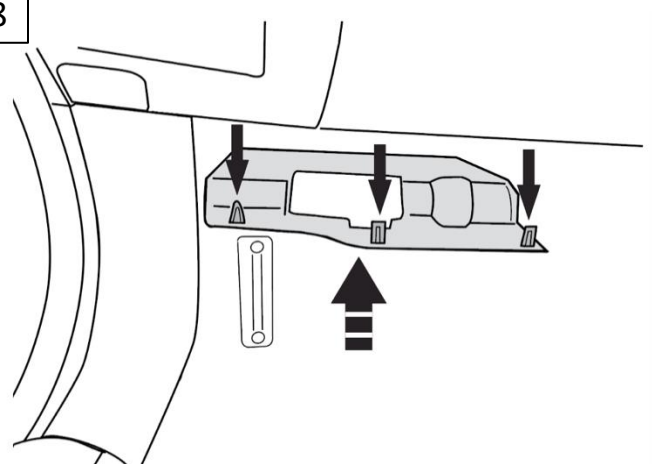
Secure wire tie. Trim wire tie.

Reinstall forward trim panel, over harness.

17



18



Push clip into place to reinstall clip removed in step 5.

Reinstall lower cover

DESCRIPTION  
Side Sill Plates – Illuminated

ISSUE  
01

DATE  
07/11/25

SUBARU OF AMERICA

PAGE  
4 / 5



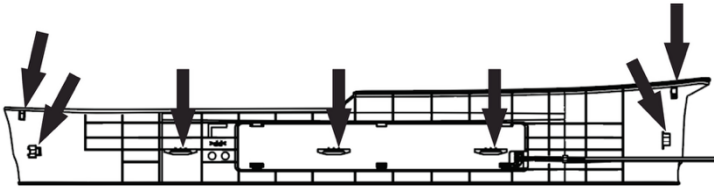
**SUBARU**

INSTALLATION INSTRUCTIONS

PART NUMBER: H461SAR000

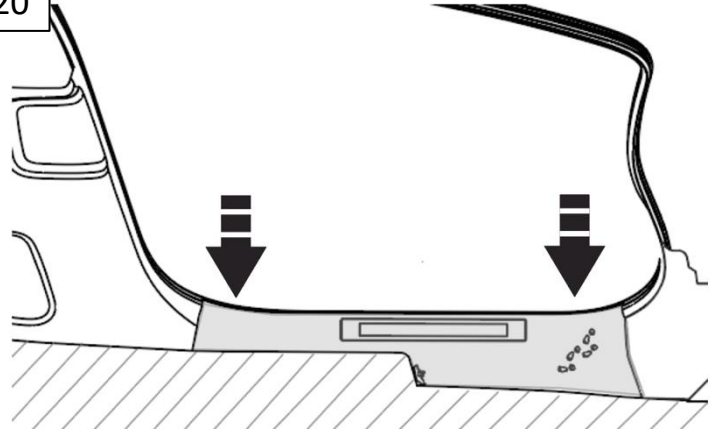
DESCRIPTION: Side Sill Plates – Illuminated

19



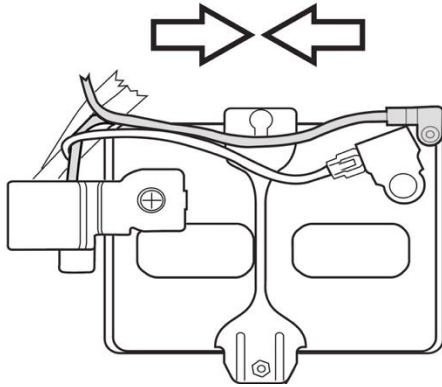
Locate all snap attachment points.

20



Install illuminated door sill onto vehicle. Verify all snap attachments are secure. Repeat on right side of vehicle.

21



22

**Verify cabin light is on**

**Verify door sill is illuminated**



Shock hazard present



Socket and Ratchet

Reconnect ground terminal from battery sensor, torque to 7.5Nm. Wait at least 60 seconds before starting vehicle.



Test illuminated door sill.