



SUBARU

INSTALLATION INSTRUCTIONS

PART NUMBER: H461SXC211

DESCRIPTION: Cargo Area Lighting Harness – Service and Installation Kit

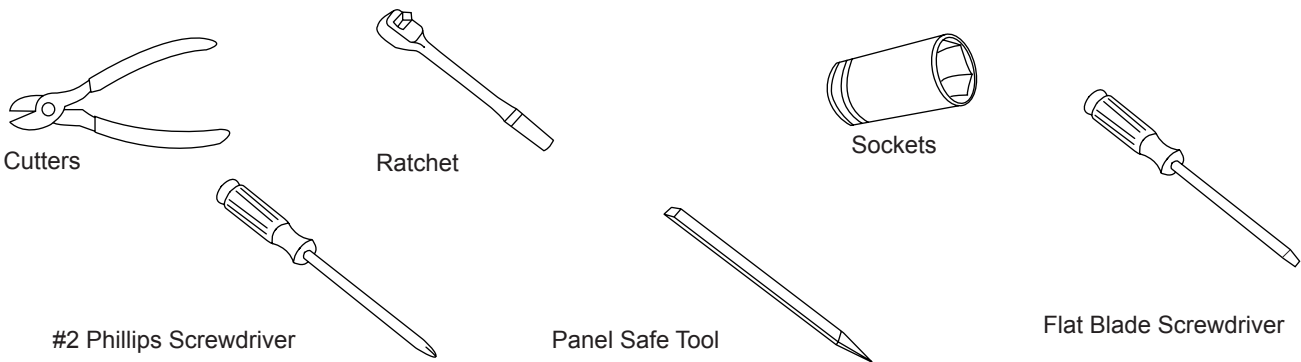
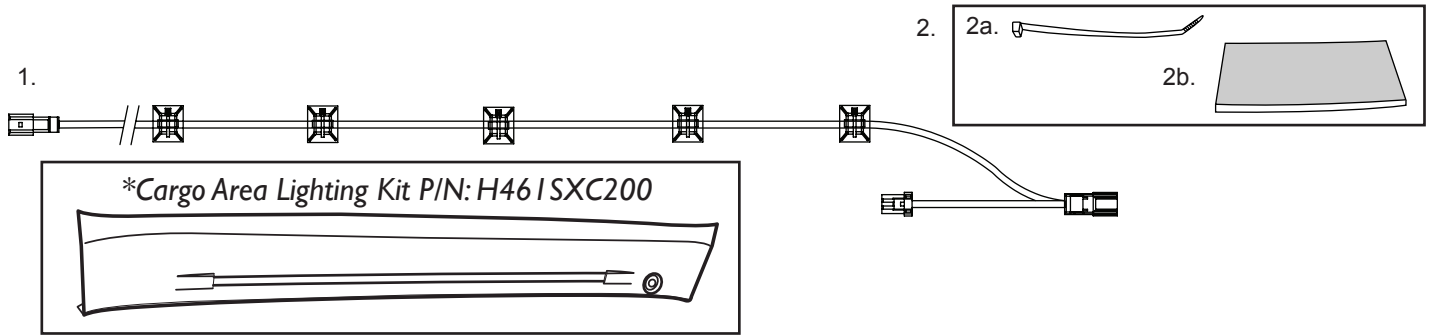
*Requires Cargo Area Lighting Kit P/N: H461SXC200 to complete installation

KIT CONTENTS:

1. Illumination Power Harness

2a. Wire Tie (8)

2b. Adhesive Pad (1)



MEANING OF CHARACTERS:



Denotes quality processes to be checked prior to moving to the next step.



Denotes specific tools that are necessary to complete the step.



Denotes cautions to be taken to avoid physical injury or electronic component damage.



Denotes cautions to be taken to avoid vehicle and component damage.



Direction



Disconnect



Remove



Connect



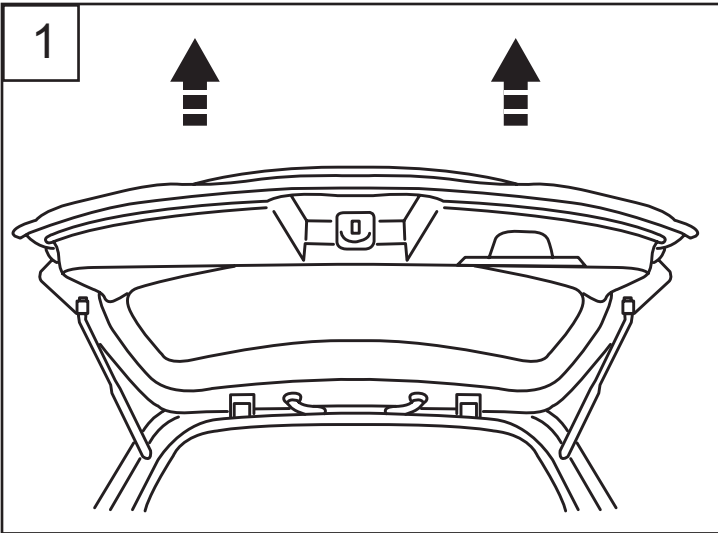
Claw



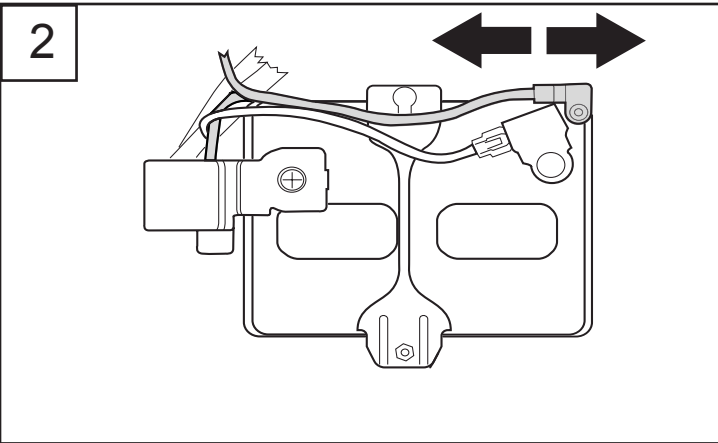
Clip

PREPARATION - BEFORE INSTALLATION:

1. This product should be installed with proper installation tools.
2. Install this product while observing all warnings and precautions stated in this instruction booklet.
3. Read entire installation guide prior to beginning the installation of the accessory.
4. Ensure vehicle is properly protected from damage during installation.
5. Never place tools or parts on top of painted surfaces, seats, dash pad, console or floor carpet / mat.
6. Always wear appropriate safety gear to include gloves and eye protection when required.



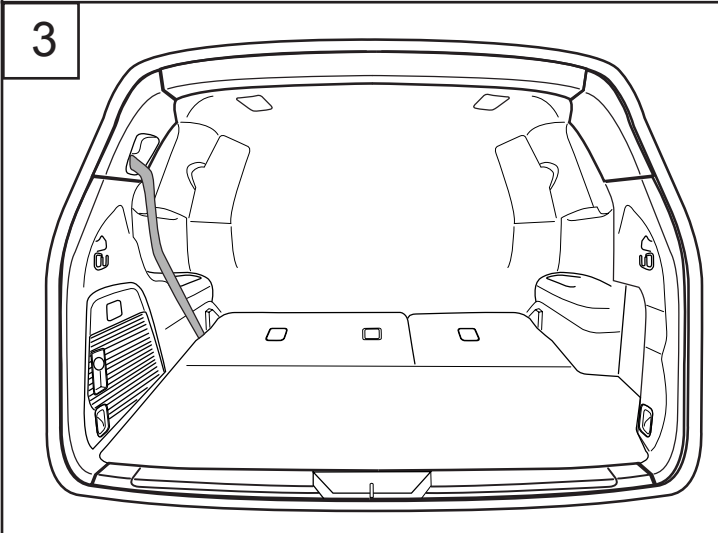
Open rear gate before disconnecting battery.



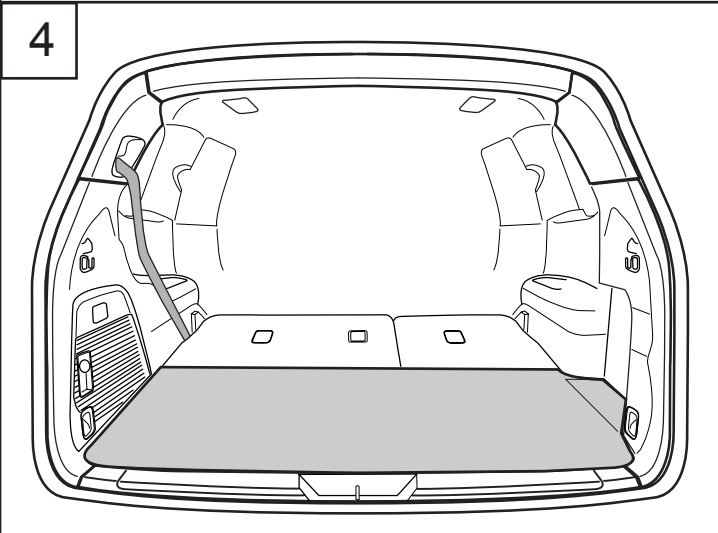
Shock hazard present

Socket and Ratchet

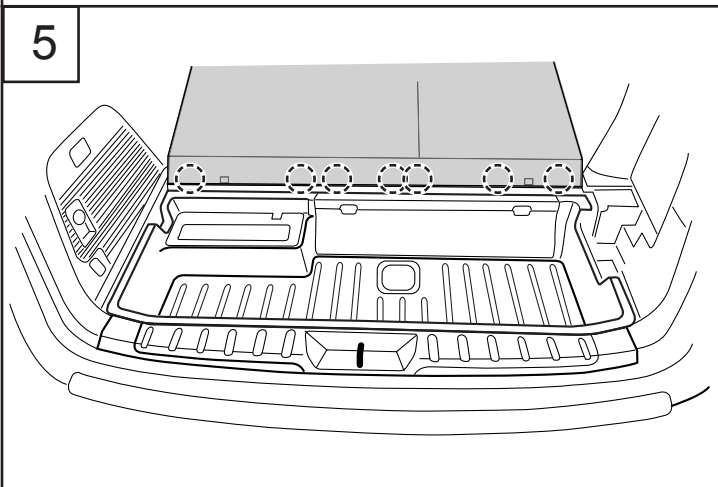
Disconnect ground terminal from the battery sensor. Wait at least 60 seconds before starting work.



Fold third-row seats down. Remove cargo area cover if equipped.

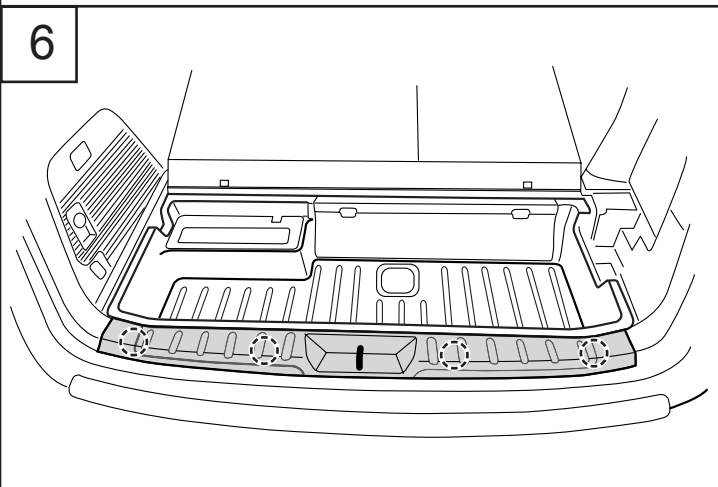


Remove cargo tray cover and right side panel.



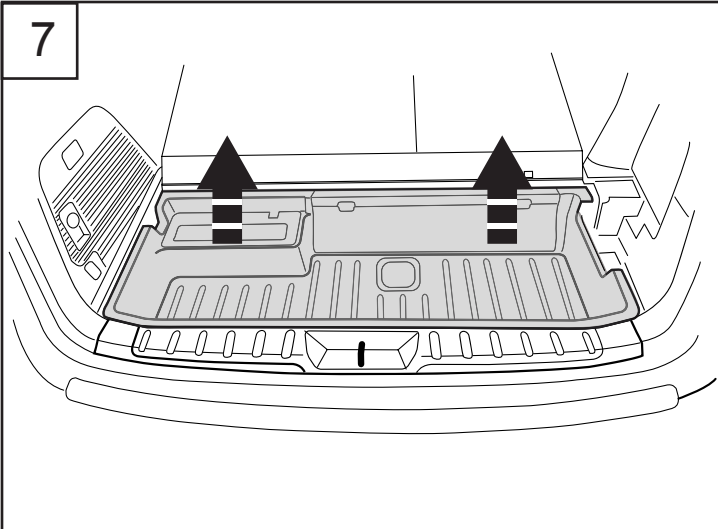
Panel Safe Tool

Remove (7) clips securing 3rd row seat flap.

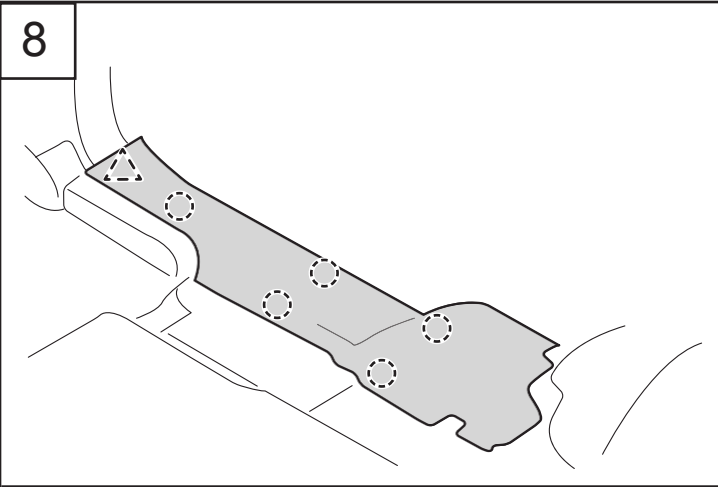


Panel Safe Tool

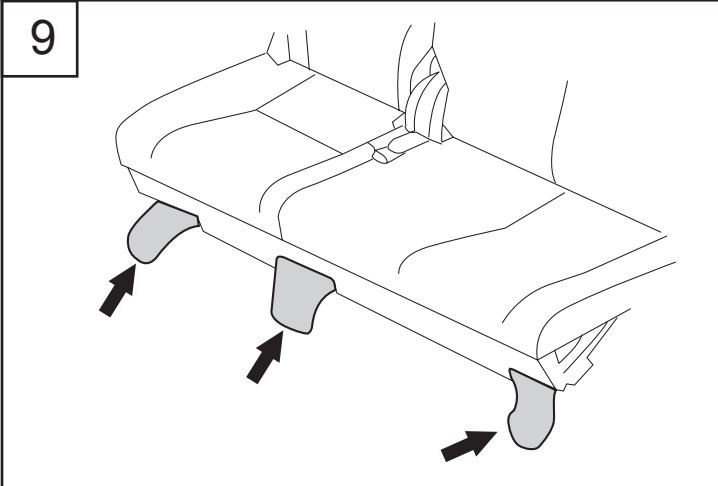
Loosen the (4) clips and remove the rear floor edge.



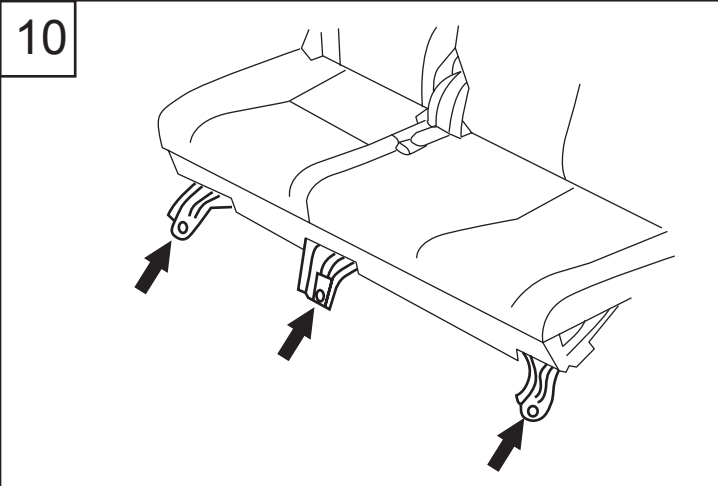
7
Remove rear cargo tray. Lift straight up and remove.



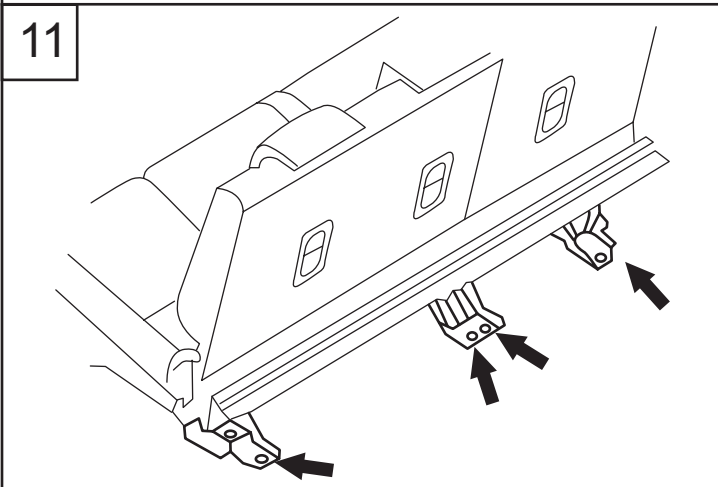
8
Panel Safe Tool
Loosen the clips and remove the left rear passenger door scuff cover.



9
Panel Safe Tool
Loosen the claws and remove (3) bolt covers.



10
Socket and Ratchet
Remove (3) bolts as indicated by arrows.

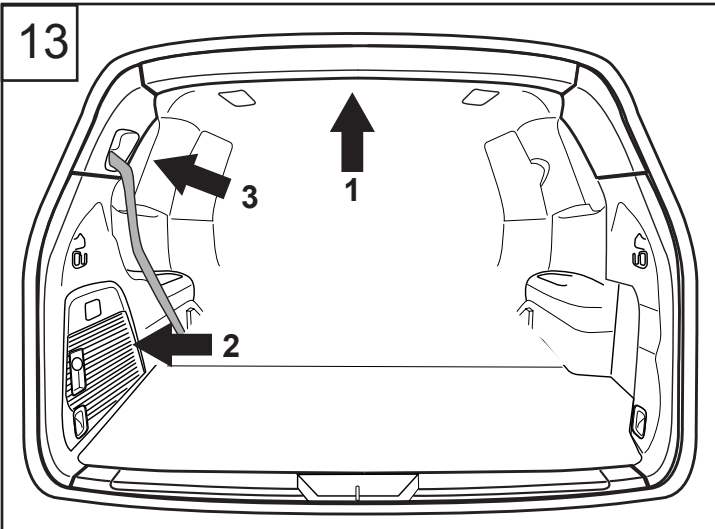


11
Socket and Ratchet
Remove (4) bolts as indicated by arrows.

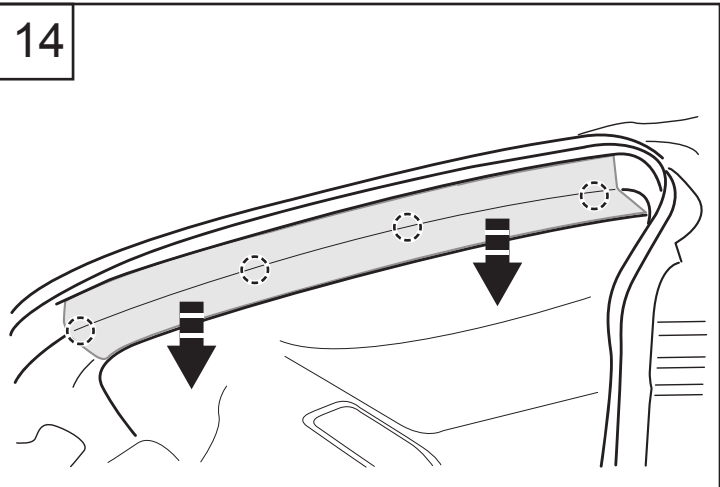
12
Third -row seats are heavy. When removing and installing them, always work in a team of two or more persons.
Be careful not to damage the vehicle when taking the seat out of the vehicle.


⚡ Be careful not to damage the rear air conditioning system piping.

Disconnect the seating sensor connector. Remove the seat assembly.

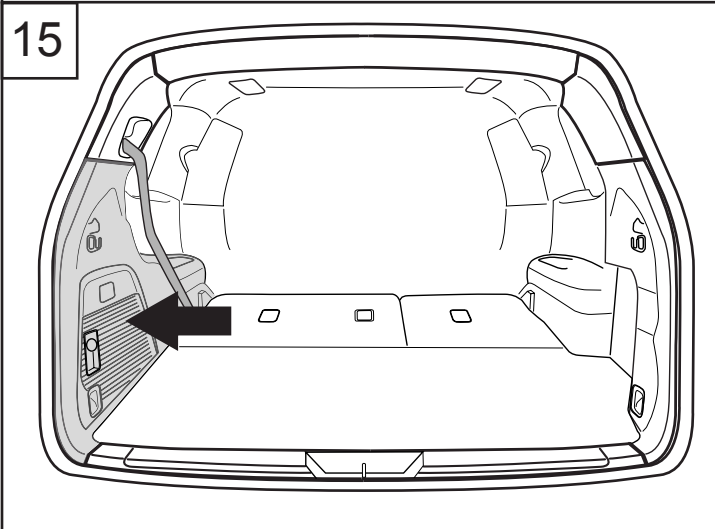


Trim panels will be removed or loosened in the order indicated.

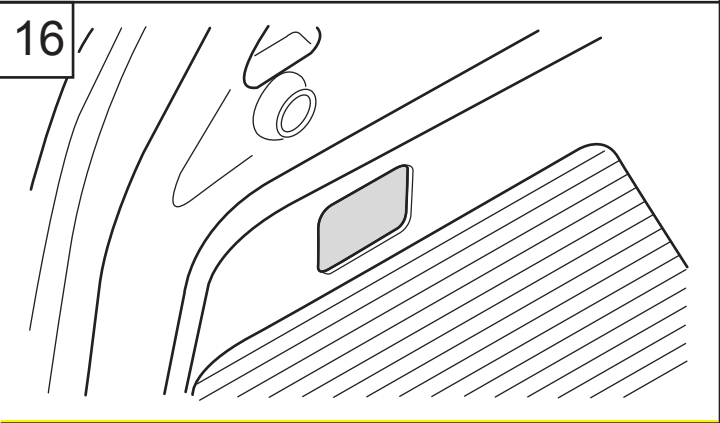



 Panel safe tool

Loosen clips and remove trim panel assembly.



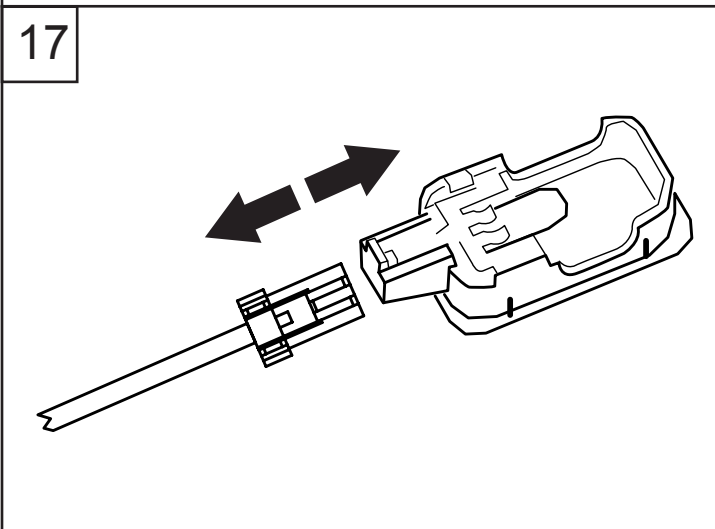
Locate trim panel assembly apron.



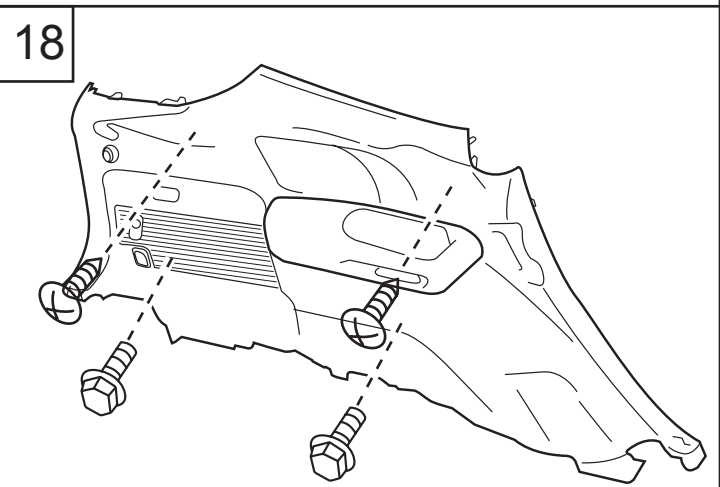
 Apply protective tape or cloth around tool to prevent damage.

 Flat Blade Screwdriver

Remove the luggage room light assembly. Release claws to remove.

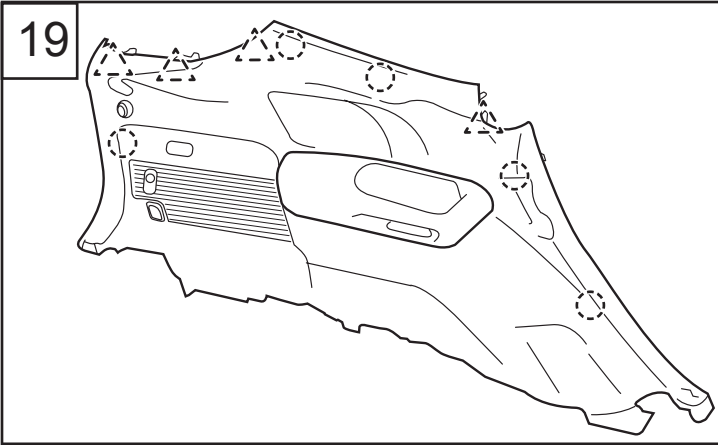


Disconnect the light assembly. This connector will be the attachment point for the new harness.



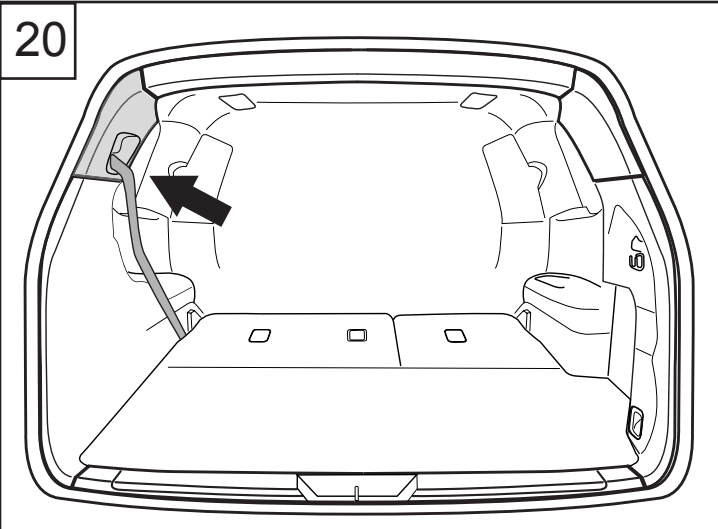
 Phillips Screwdriver, Socket and Ratchet

Remove screws and bolts from trim panel assembly apron.

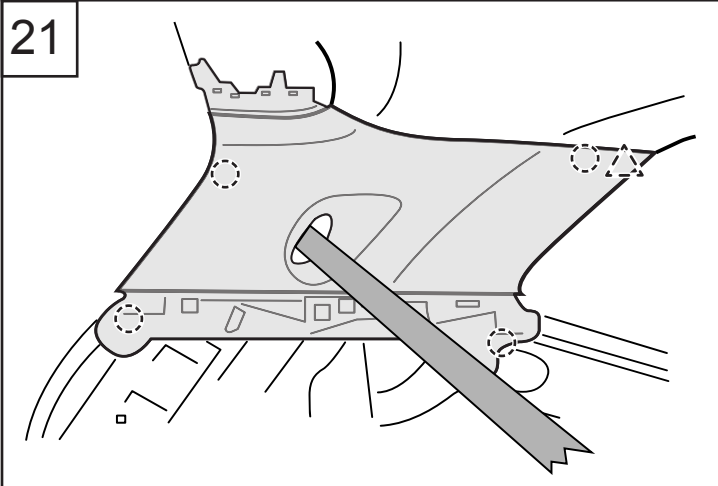


Excessive force may damage clips base.

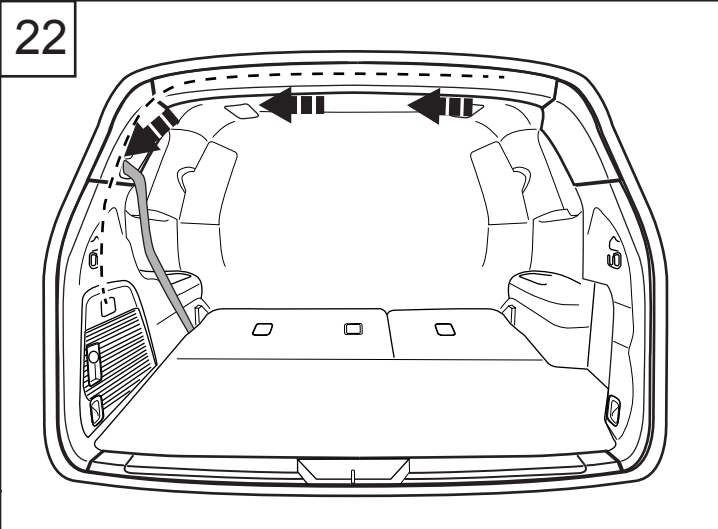
Panel safe tool
Disengage claws and clips.



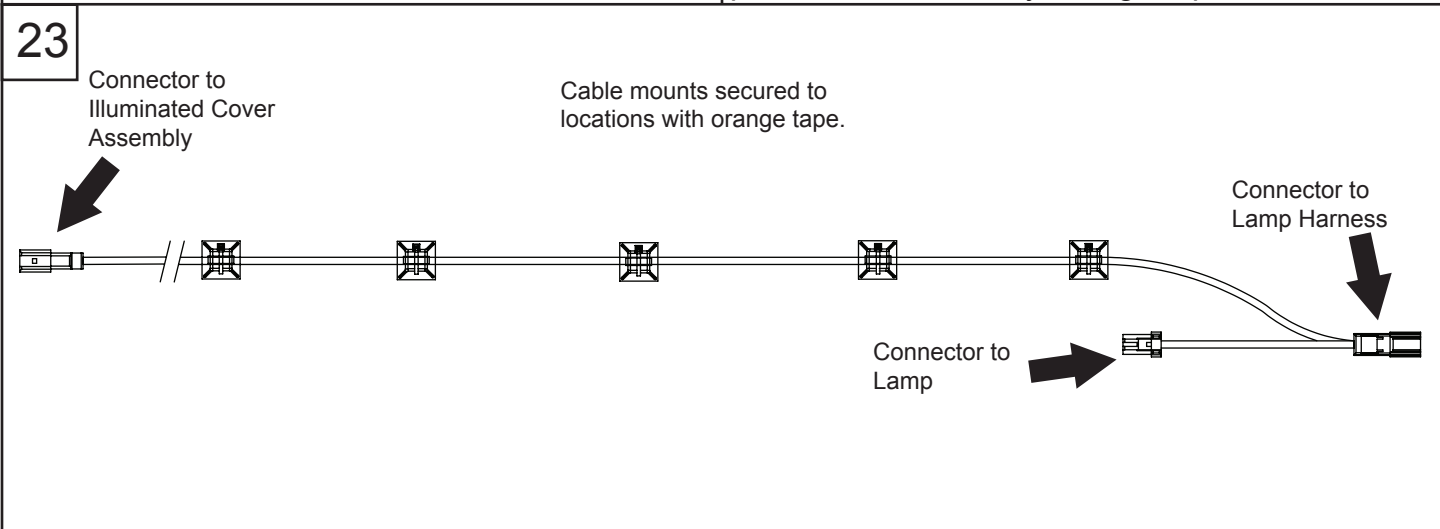
Locate D pillar trim panel assembly.



Panel safe tool
Disengage claws and clips. Slide trim panel down seat belt.

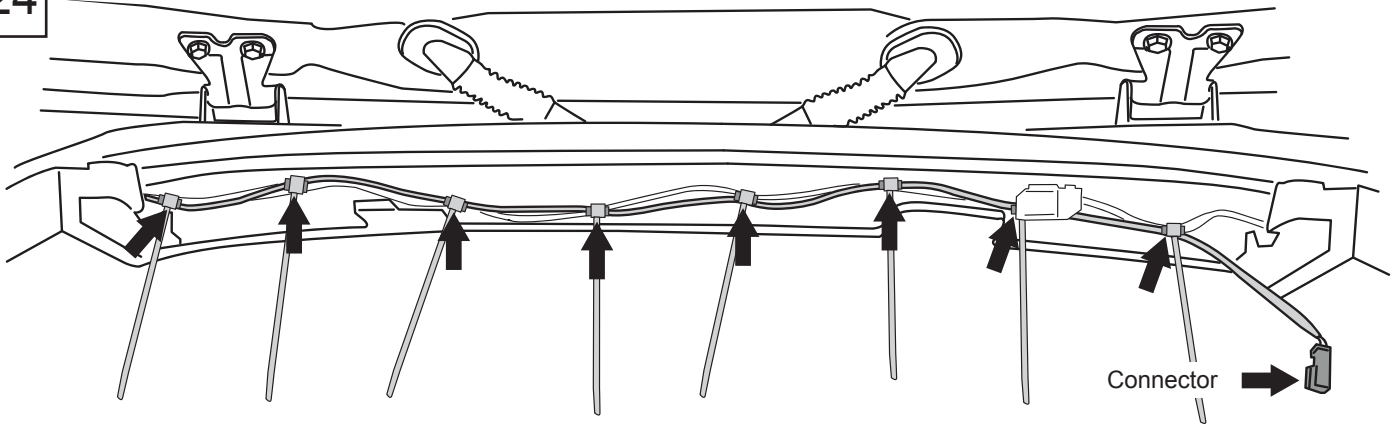


Harness routing will be as shown. Attachment points are marked by orange tape.



Locate illumination power harness. Locate connector on illuminated cover assembly.

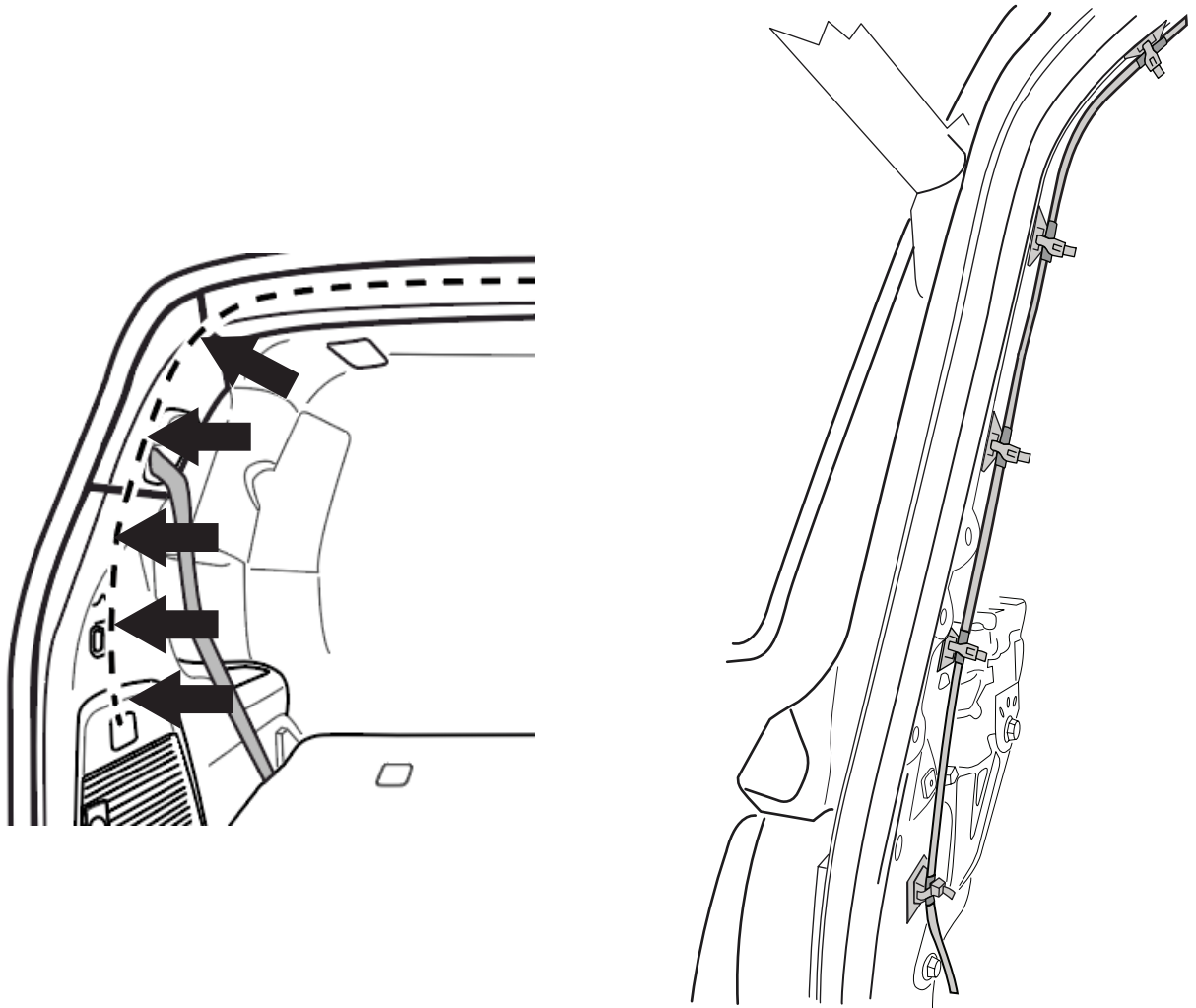
24



 Do not cinch the wire ties tight until harness routing is complete.

Attach harness to vehicle harness. Secure with (8) wire ties on harness locations indicated by orange tape. Trim wire ties.

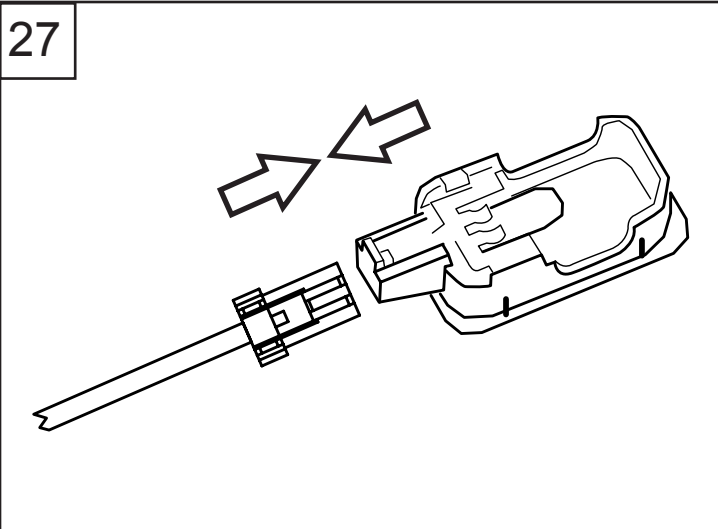
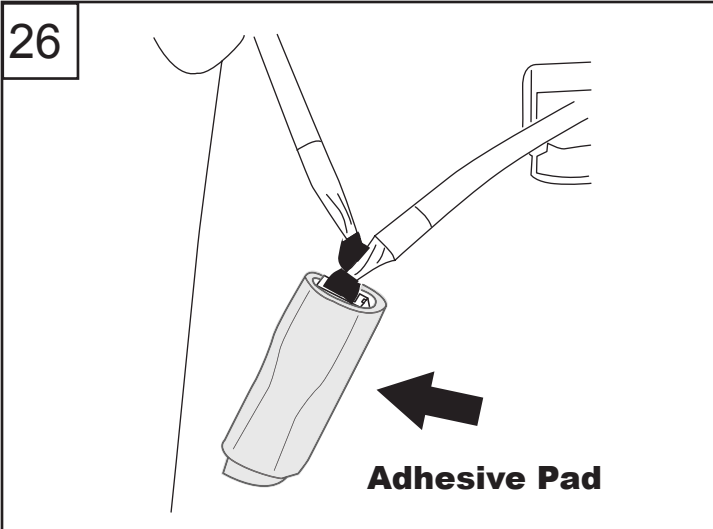
25



 Verify attachment surface is clean.

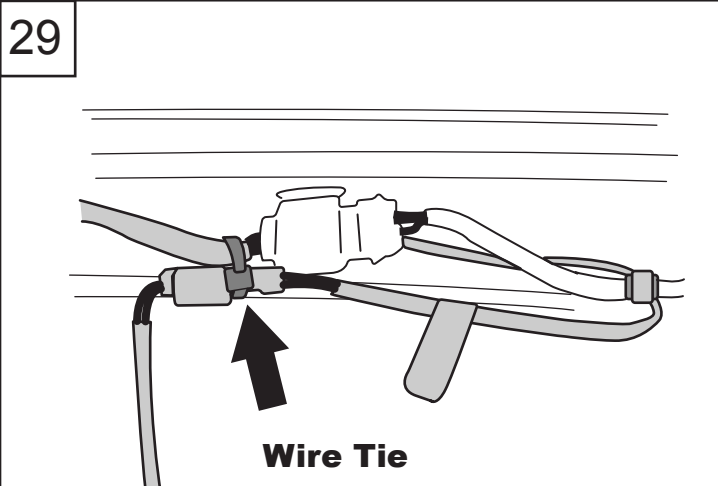
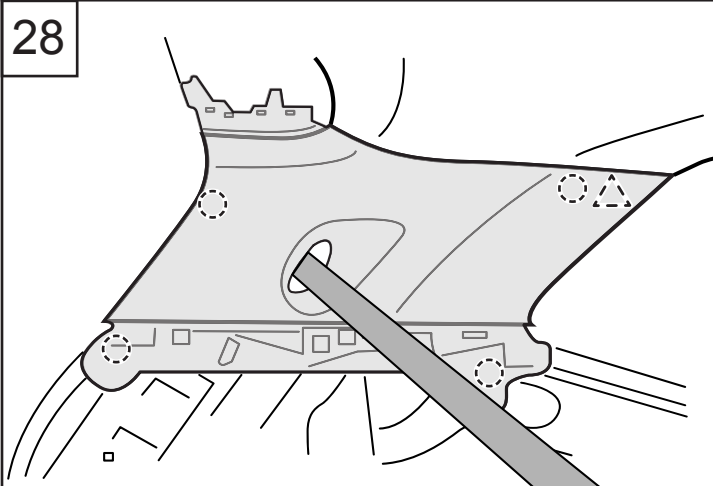
Attach harness to vehicle sheet metal. Peel protector off adhesive surface of cable mounts. Secure the (5) cable mounts in locations indicated by arrows.

DESCRIPTION Cargo Area Lighting Harness – Service and Installation Kit	ISSUE 01	DATE 03/03/22	SUBARU OF AMERICA	PAGE 6/9
--	-------------	------------------	-------------------	-------------



Connect illumination harness to lamp harness. Wrap connection with (1) adhesive pad.

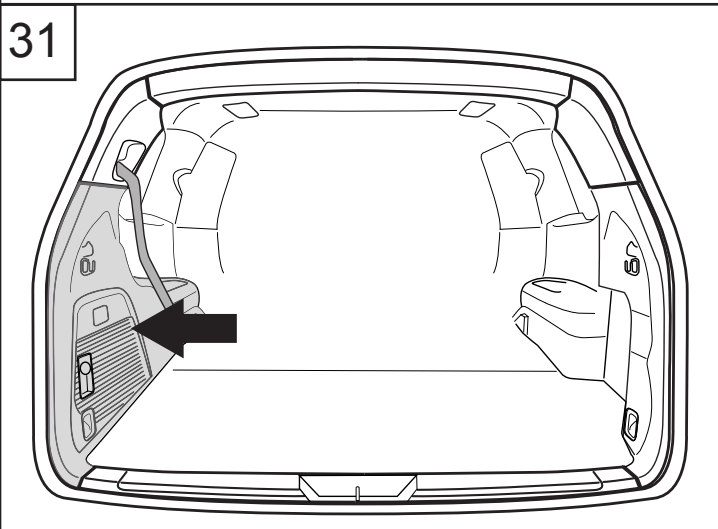
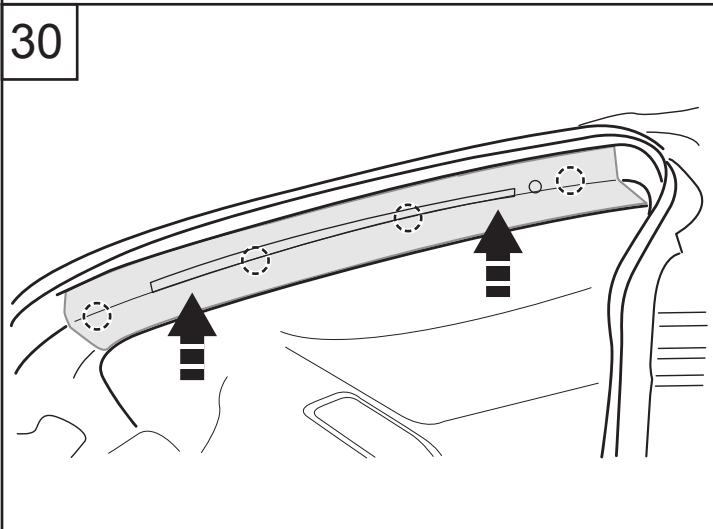
Reconnect harness to lamp disconnected in step 17.



⚠ Use care aligning clips and claws.

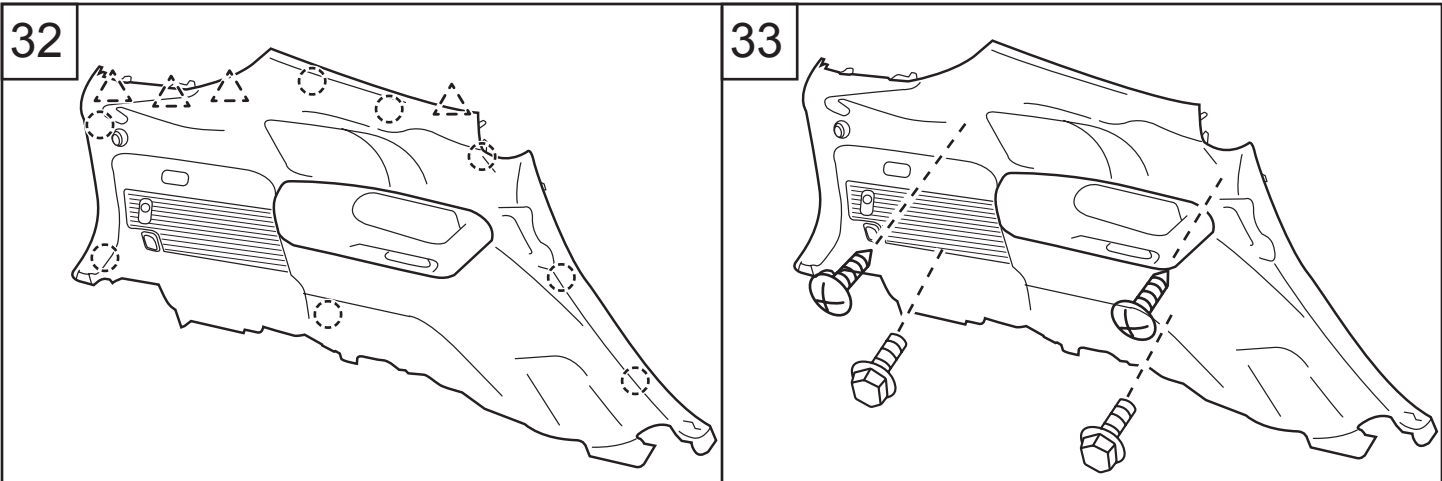
Reinstall D pillar cover removed in step 21.

Connect illumination harness to illuminated cover. Secure connector to the wire harness with (1) wire tie.



Install illuminated trim panel cover assembly.

Carefully reinstall trim panel removed in step 19.

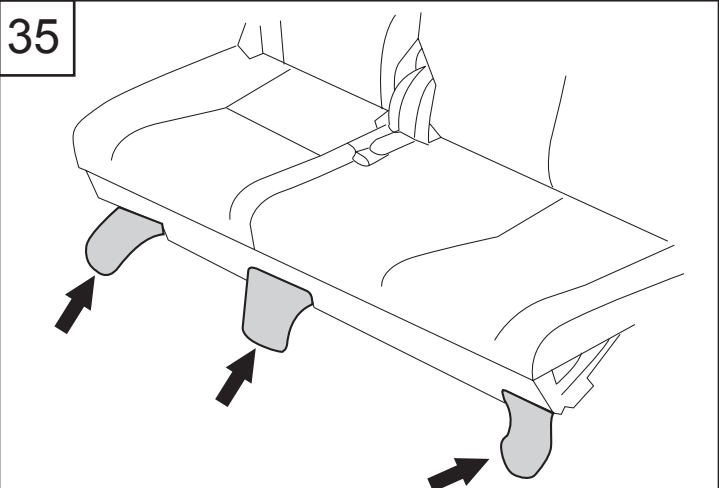
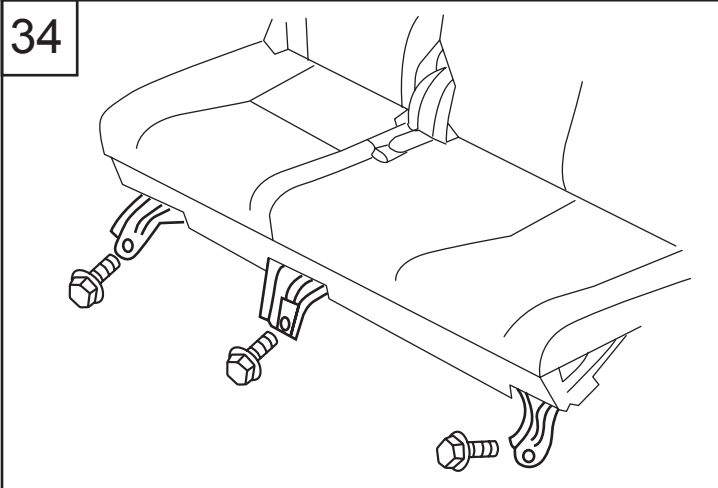


Use care aligning clips and claws.

Phillips Screwdriver, Socket and Ratchet

Reattach claws and clips of trim panel assembly apron.

Reinstall screws and bolts from trim panel assembly apron removed in step 18

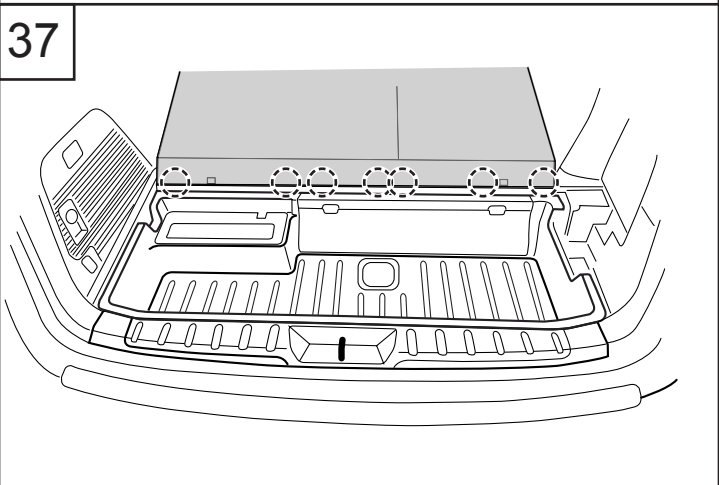
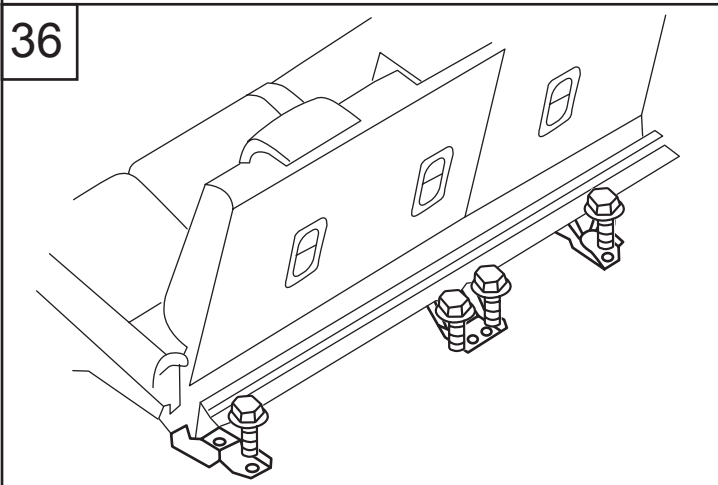


Socket and Ratchet

Panel safe tool

Reinstall the (3) bolts removed in step 10.

Reinstall bolt covers removed in step 9.



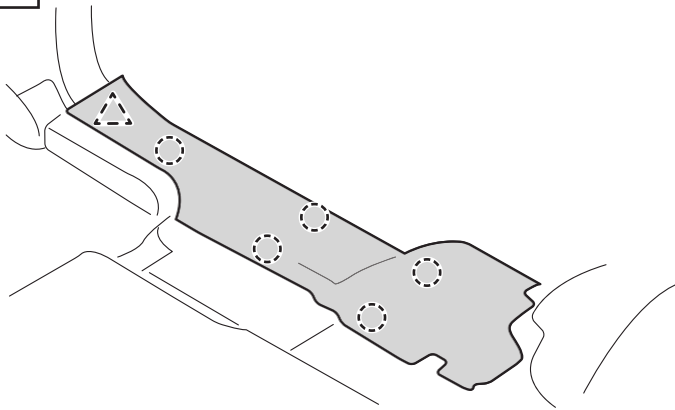
Socket and Ratchet

Panel safe tool

Reinstall the (4) bolts removed in step 11.

Reinstall (7) clips removed in step 5 to secure.

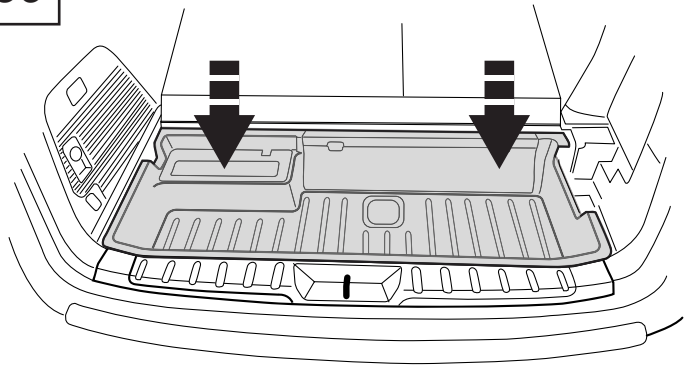
38



Use care aligning clips and claws.

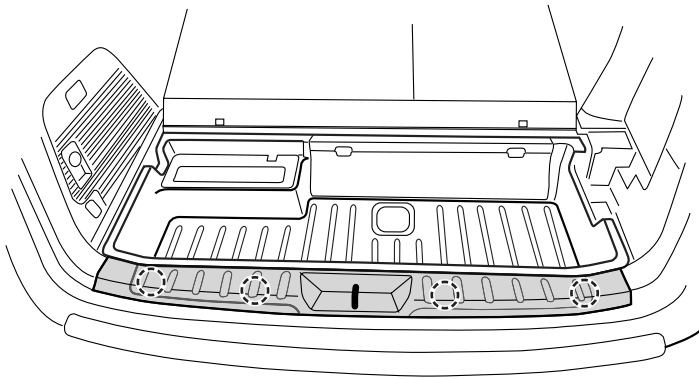
Reattach claws and clips of the rear passenger door scuff cover removed in step 8.

39



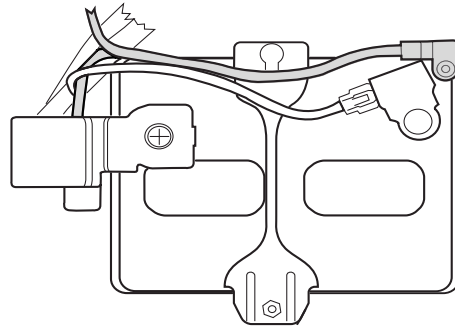
Reinstall rear cargo tray removed in step 7.

40



Reinstall the (4) clips removed in step 6 and securing the rear floor edge.

41



Shock hazard present.

Socket and Ratchet

Reconnect ground terminal from the battery sensor. Wait at least 60 seconds before starting vehicle.

42

Verify Luggage room light is on

Verify upper trim panel is illuminated

If light is off press on-off switch located on right side of trim piece



Test illuminated trim panel.