



SUBARU

PART NUMBER: J1010FL300

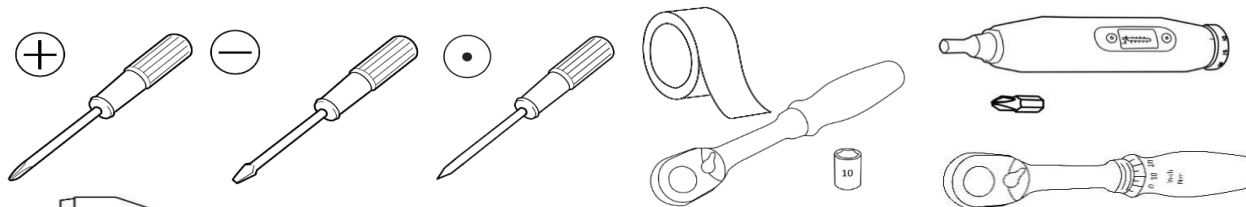
INSTALLATION
INSTRUCTIONS

DESCRIPTION:
Impreza Sport Mesh Grille



Kit Contents: Sport Mesh Grille

TOOLS REQUIRED:



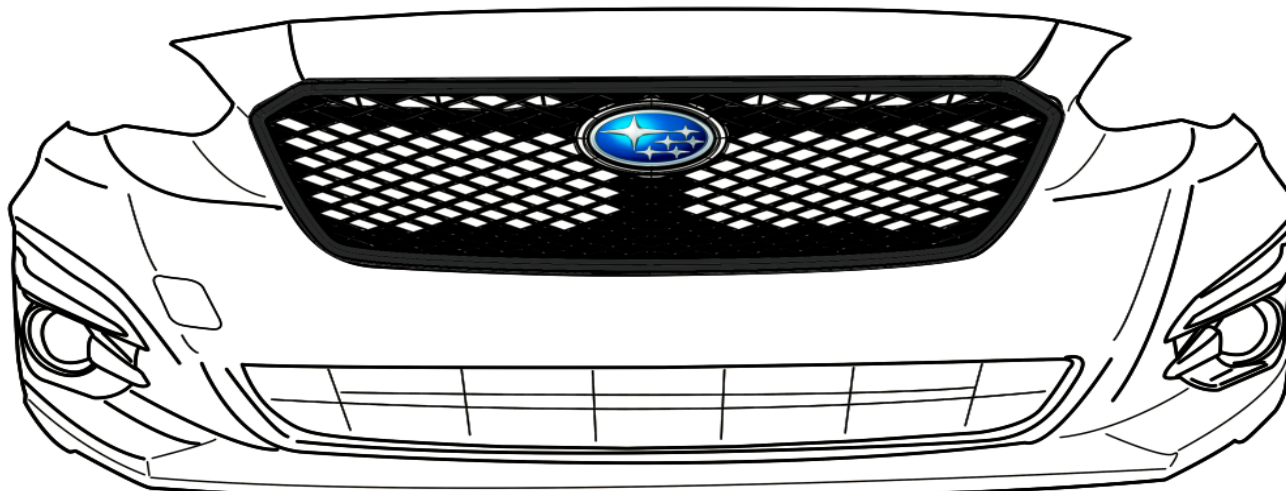
50/50 Mixture
Rubbing Alcohol / Water



PRECAUTIONS

1. When installing this product, park the car on a level ground and apply the parking brake.
2. All vehicle clips will be re-used. Please store in a safe location.
3. Find a helper to assist with maneuvering the front bumper.
4. Be careful around painted surfaces to prevent any damage.
5. Do not use excessive force during any parts removal or installation.
6. After installing this product, check that it is securely attached.

COMPLETED INSTALL



PART NUMBER:
J1010FL300

ISSUE
01

SUBARU OF AMERICA

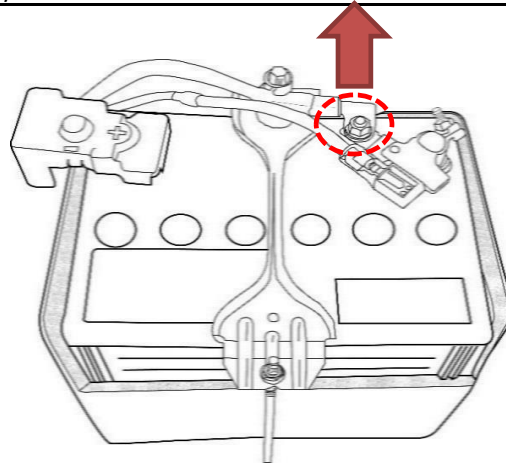
PAGE
1/7



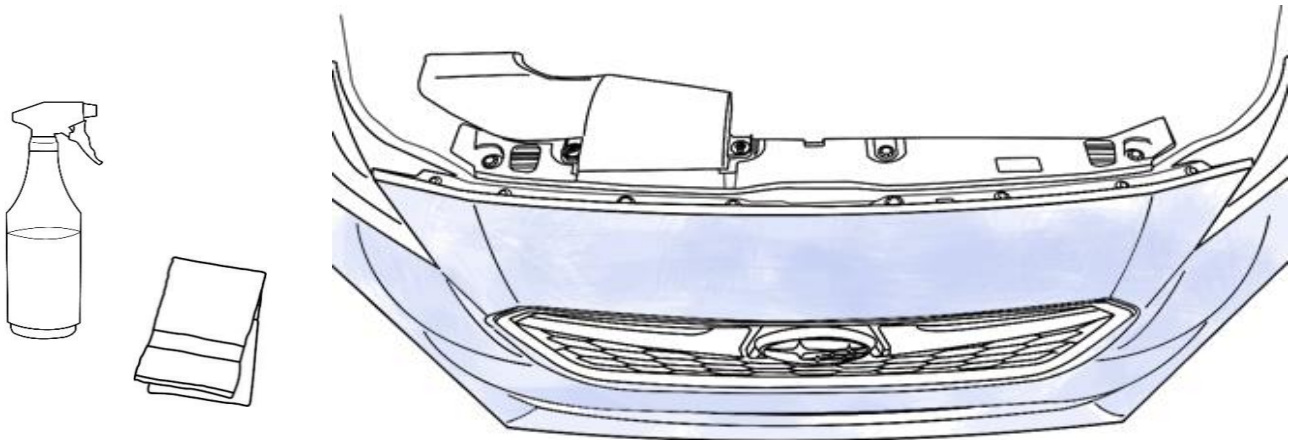
SUBARU

PART NUMBER: J1010FL300

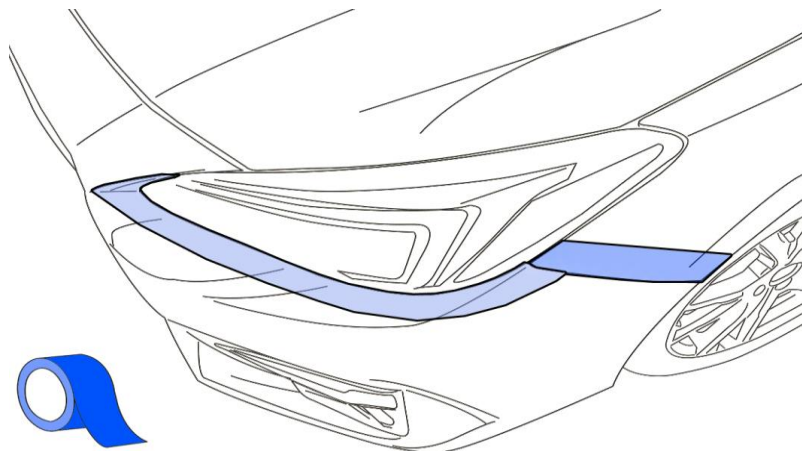
1 Disconnect negative battery cable.



2 Wash front bumper with 50/50 mixture of water and rubbing alcohol.



3 Apply protective tape over the areas indicated on the bumper and on the quarter panel - both sides.



PART NUMBER:
J1010FL300

ISSUE
01

12/6/2016

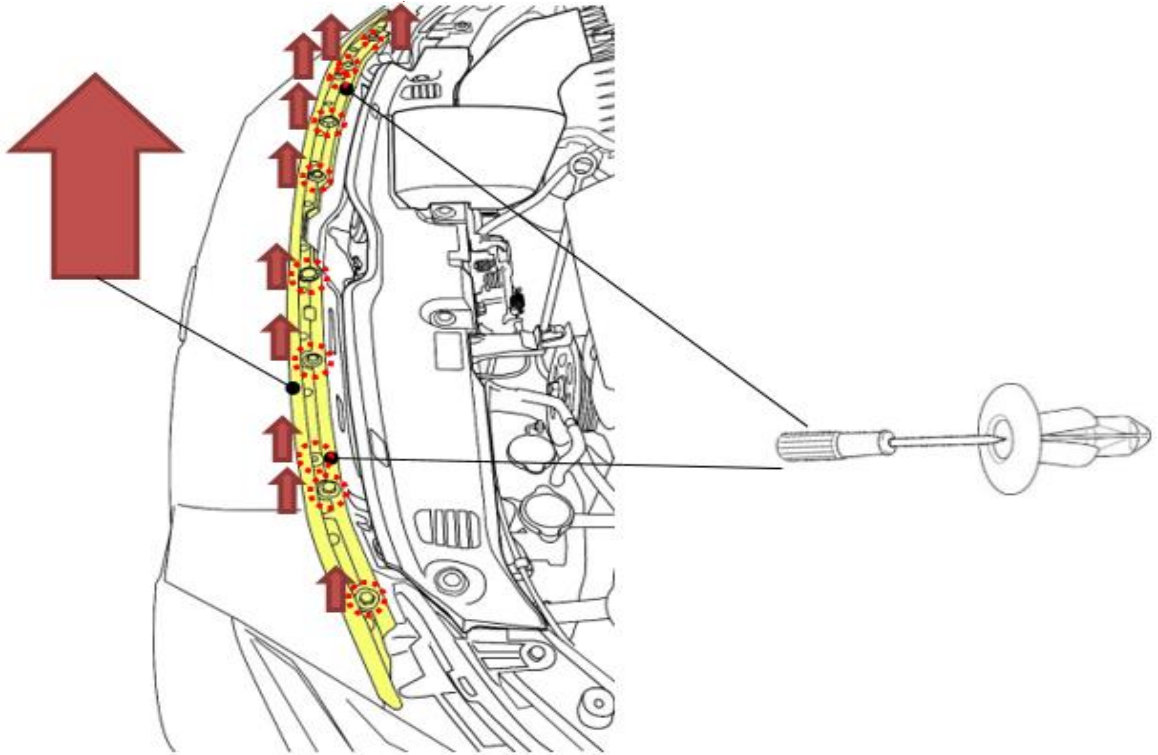
SUBARU OF AMERICA

PAGE
2/7



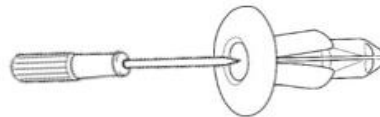
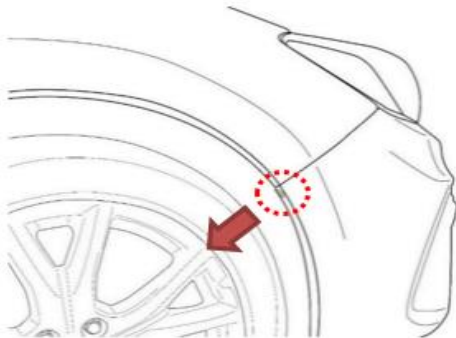
4

Remove the bolts, clips and highlighted cover below. For the small clips, push button and then remove.



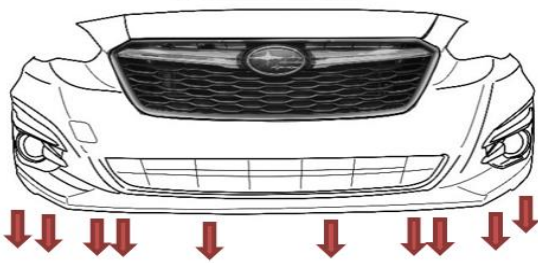
5

Remove small clip from both rear facing sides of the front bumper. Push button and remove.

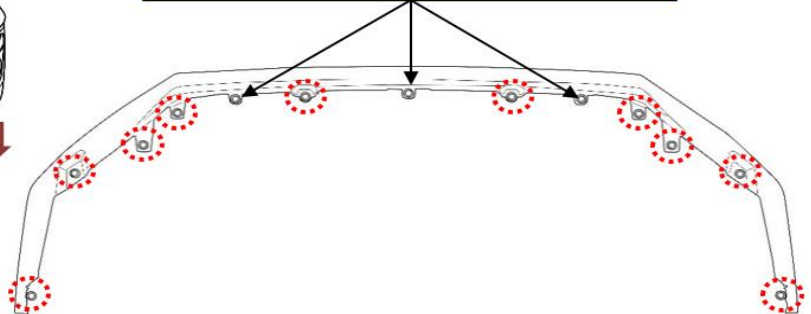


6

Remove the 10x highlighted clips below.



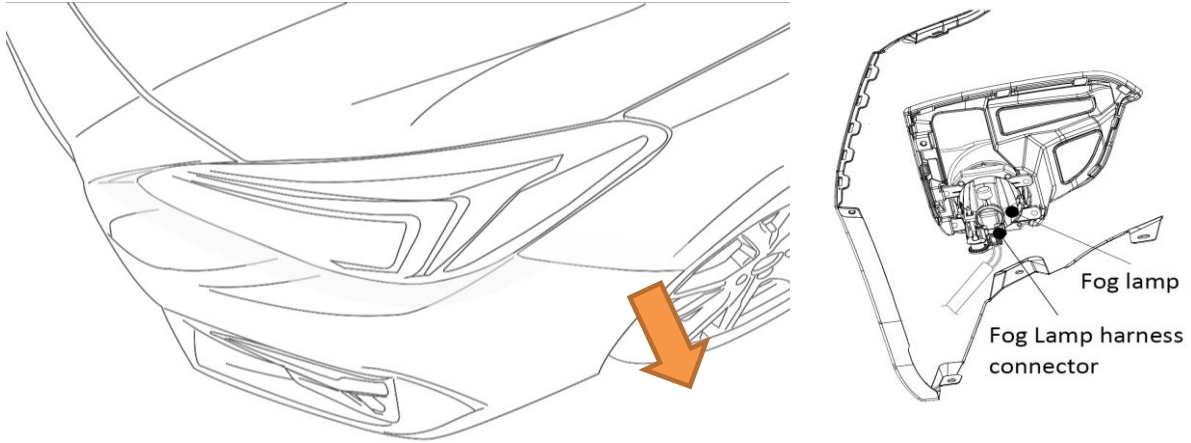
Do not remove these 3x slotted clips.





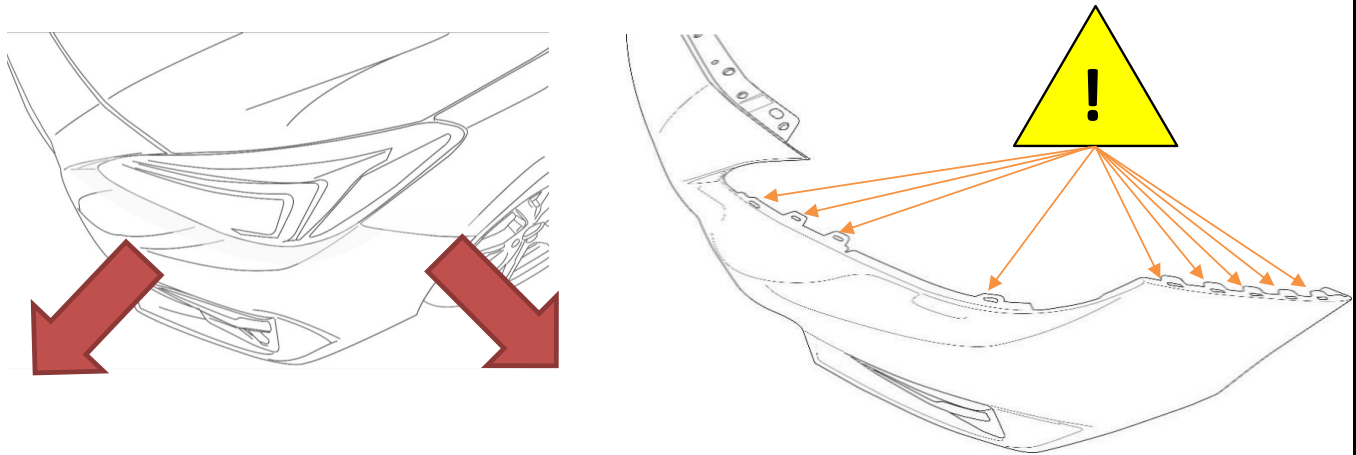
7

Carefully pull out each side of the front bumper. For vehicles with fog lights, reach behind front bumper and disconnect fog light connector.



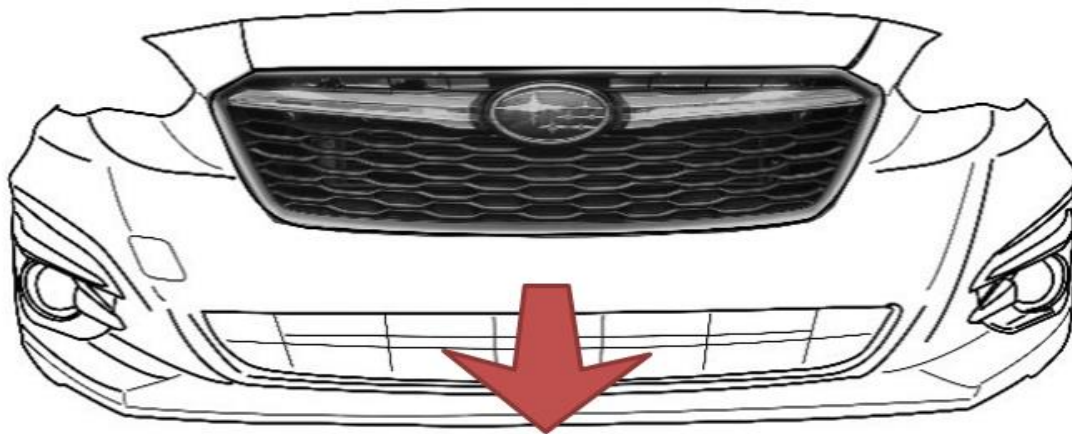
8

Note the location of the front bumper tabs in the right image. Carefully pull the front bumper to disengage remaining tabs. Repeat on opposite side. **The bumper can suddenly drop so have a helper assist with this step.**



9

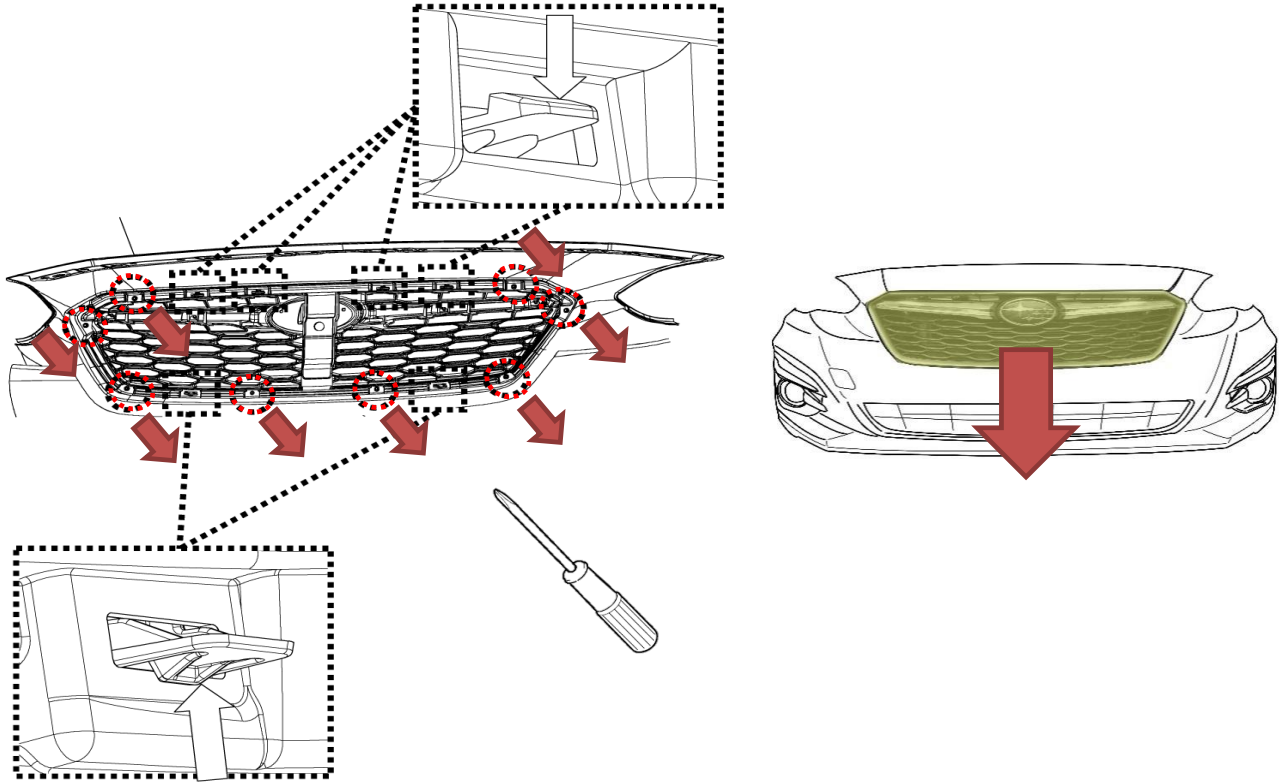
Fully remove front bumper and gently place on a soft surface. Be careful not to scratch bumper.





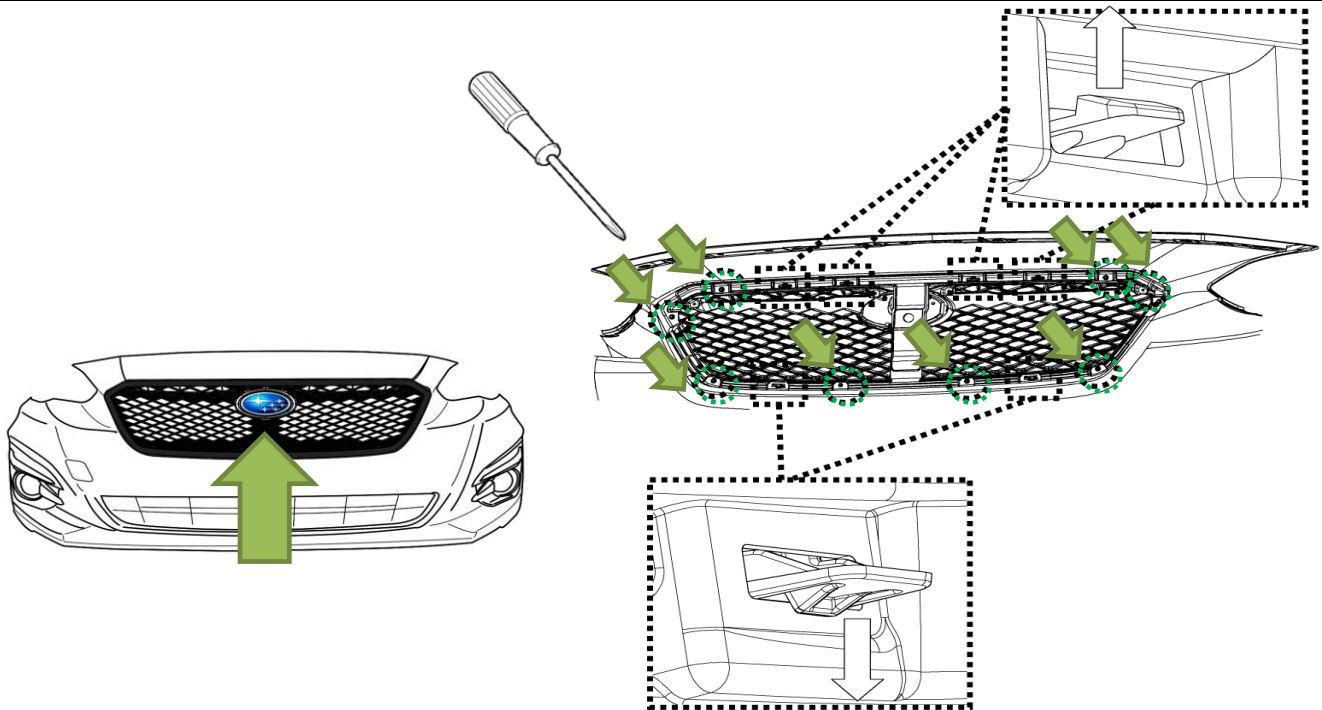
10

Use a screwdriver to remove the 8 screws from the back of the bumper. Push the upper & lower tabs as indicated in the image below while pushing the grille from the back towards the front to remove.



11

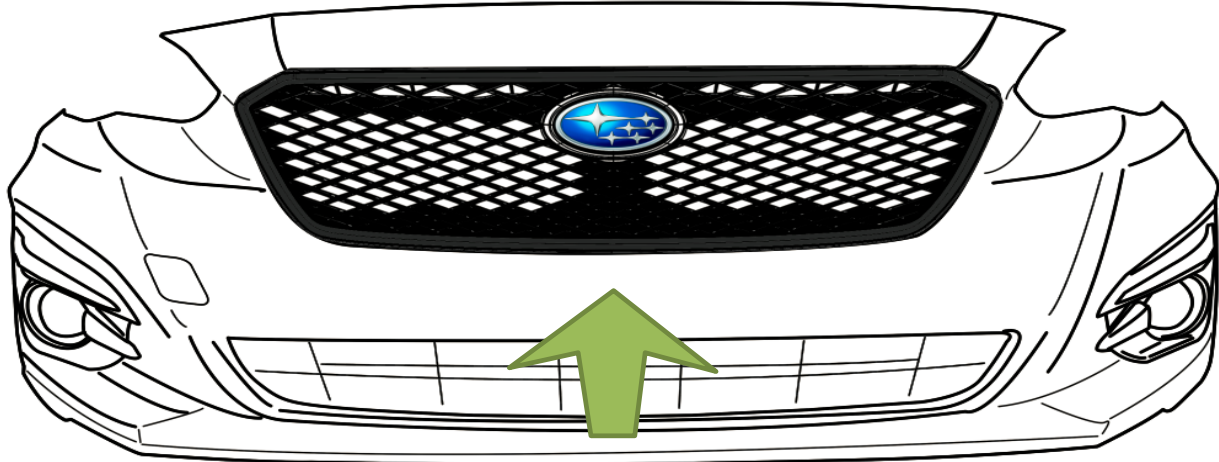
Carefully push new grille onto the bumper from the front towards the rear. Ensure all tabs engage and tighten all 8 screws to a torque of 1.5 N·m (13 in-lbs).





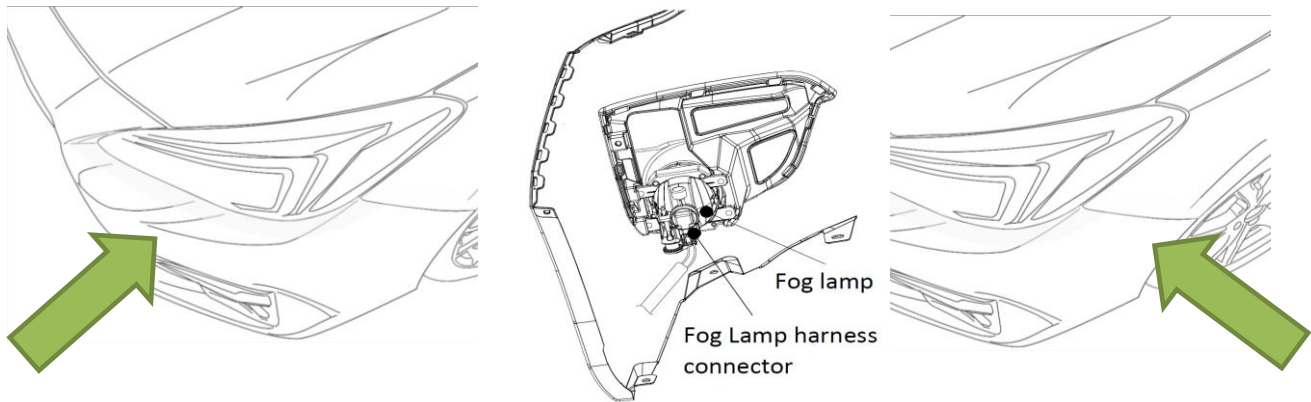
12

Carefully, reposition front bumper onto vehicle. Tip: Ask a helper to lift the opposite side for precise positioning. See Step 14's diagram to check stacking sequence between bumper and black plastic covers.



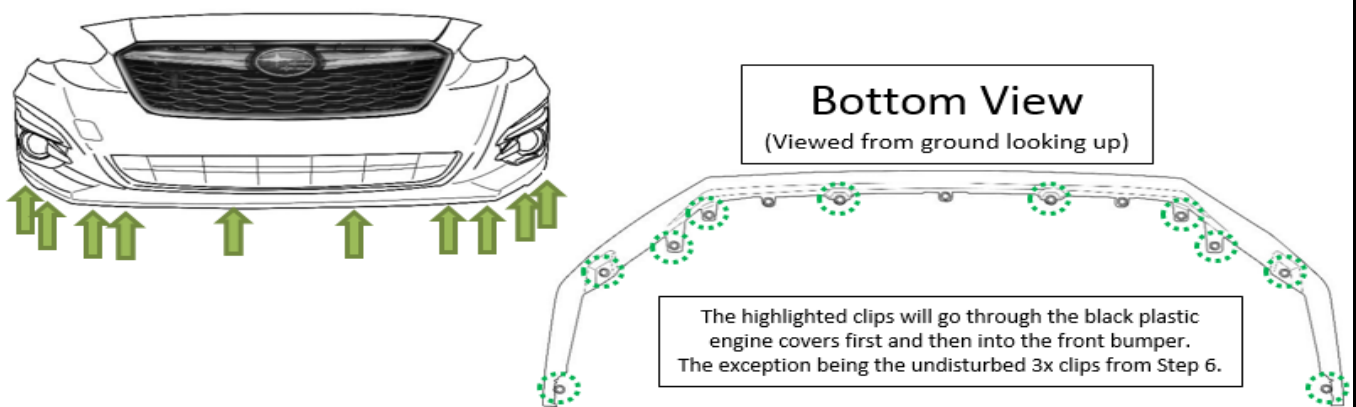
13

Engage the front tabs. With the bumper is securely supported, reconnect the fog lights on both sides. Then carefully and precisely engage the side tabs on both sides. Check tabs for proper engagement.



14

Reinstall the 10x highlighted clips below. From the ground looking up, the black clips will go through the black plastic engine covers first and then through the front bumper. Tuck in remaining covers.



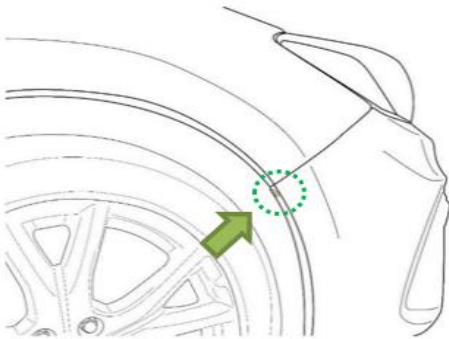


SUBARU

PART NUMBER: J1010FL300

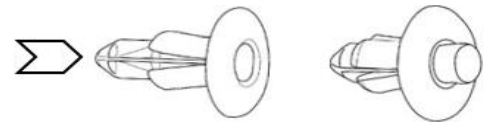
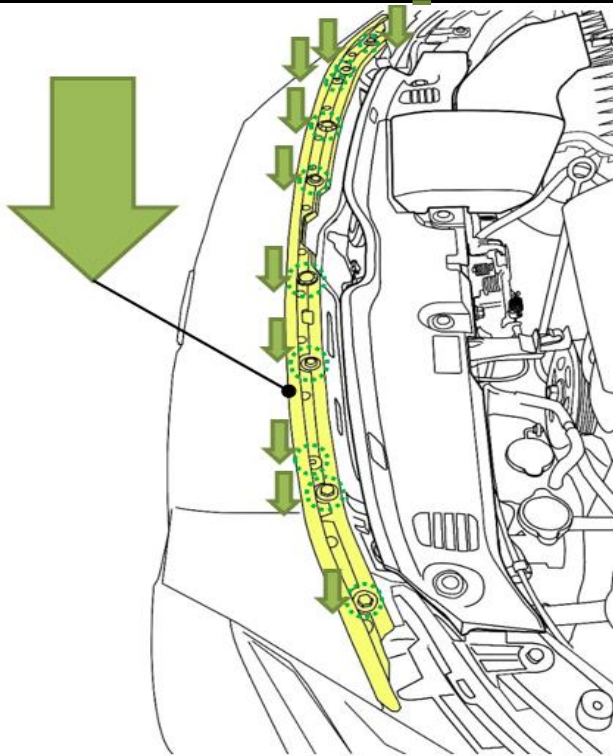
15

Reinstall small clip. Push pointy end to reset clip and then insert into bumper and push button to engage.



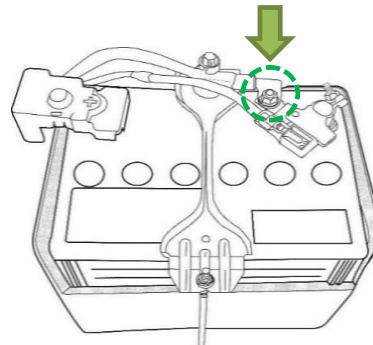
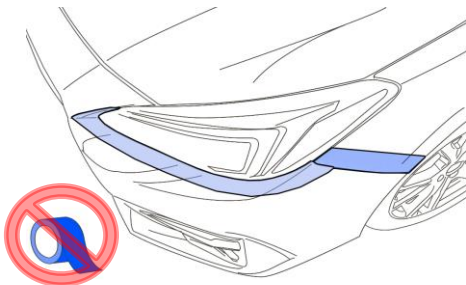
16

Reinstall the cover, clips and torque bolts to 7.5 N·m (5.5 ft-lbs). Reset small clips prior to install.



17

Remove protective tape, reconnect negative battery cable and torque to 7.5 N·m (5.5 ft-lbs), and check that fog lamps turn on properly. Clean front bumper.



PART NUMBER:
J1010FL300

ISSUE
01

12/6/2016

SUBARU OF AMERICA

PAGE
7/7