



SUBARU

Sport Grille

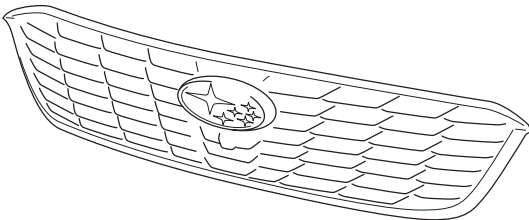


Installation Manual

Genuine Part Number: J1010FL310

Applicable Model: IMPREZA (October 2019 onwards)

Thank you for purchasing the Subaru Genuine Sport Grille.
This manual describes the procedure to install the Sport Grille on the IMPREZA.
Be sure to read this manual before installing this product and follow the instructions described below.

Component Parts

1	Sport Grille		
	No.	Part Name	Quantity
	1	Sport Grille	1
	2	Camera cover	1
	3	Screw M4 x 12 mm	2

⚠ Installation Precautions

For your safety, important instructions that should be observed are shown with the following symbols in this Installation Manual.

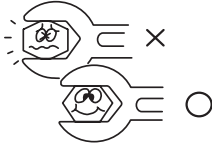
⚠ CAUTION ...This refers to situations in which injury may occur or property may be damaged if the caution instructions are not followed.

👉 NOTEThis denotes things that you should be made aware of so you can do the work quickly.

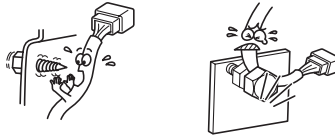
1. Park the vehicle on a level place, apply the parking brake, and use wheel chocks.
2. Make sure to arrange vehicle parts by part when removing them so that you do not lose the tapping screws, nuts and bolts, and so you do not mistaken them when reinstalling the vehicle components. Also, pay due attention not to damage the vehicle and the removed parts during work.
3. Follow the Service Manual when handling the battery.
4. To prevent damage to the vehicle and vehicle parts when removing vehicle parts and installing the product, be sure to perform the work on a Protective Sheet.

Installation of Parts

- Use proper size tools.



- Pay attention to the back side and do not allow any wire harness to get caught.



After Completion of Installation

- Be sure to reassemble all the vehicle parts that have been removed.



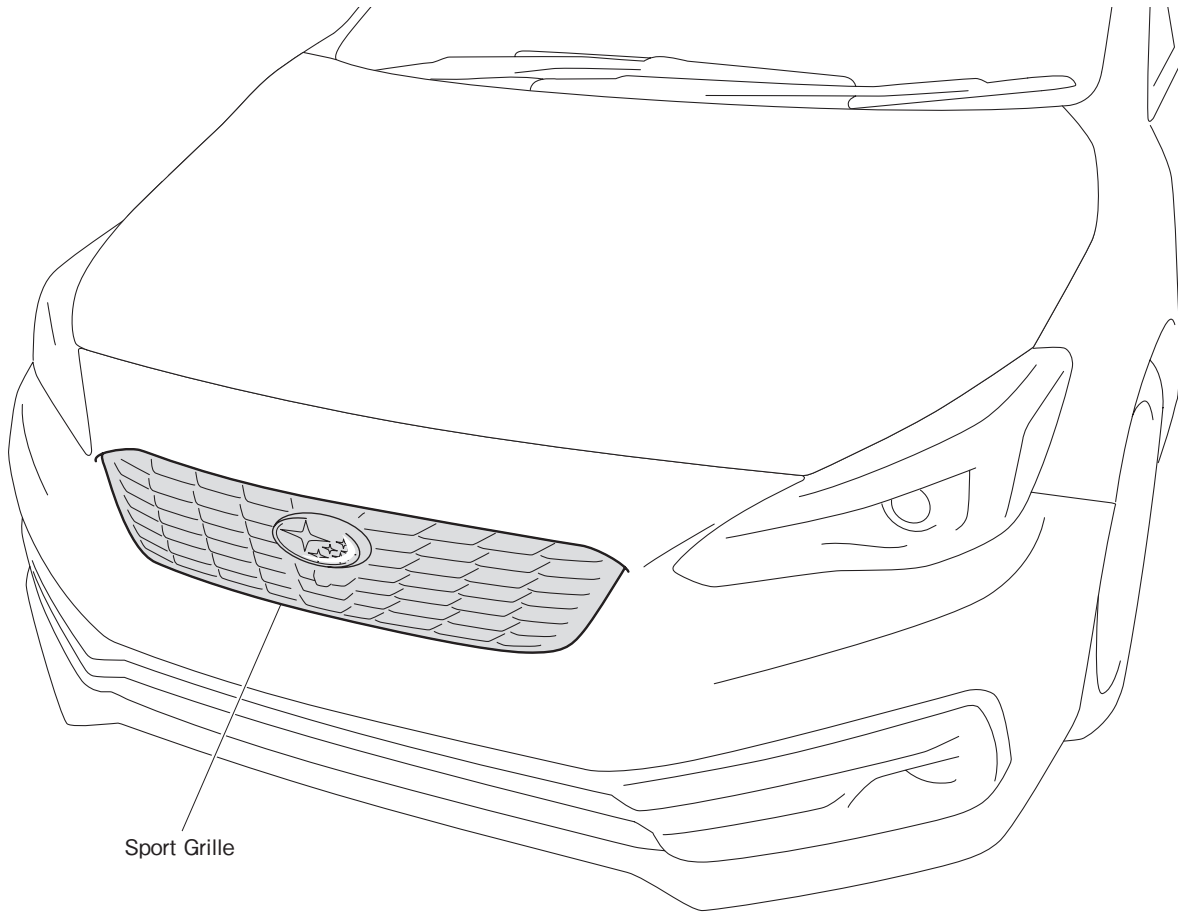
⚠ CAUTION

Follow the Service Manual when performing the work.

Tools Required

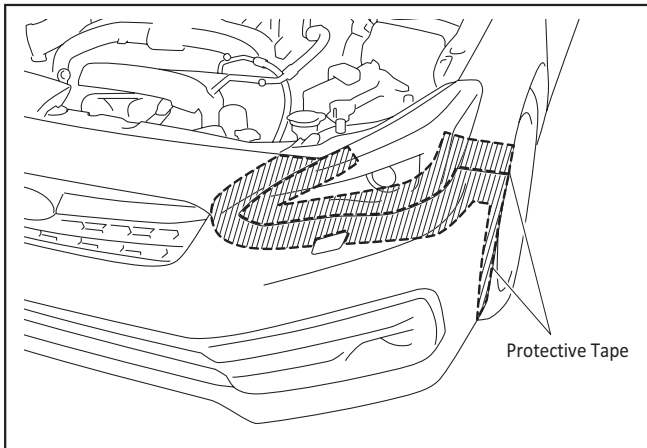
Combination Wrench (10 mm), Ratchet with 10 mm socket, Phillips-head Screwdriver, Flathead Screwdriver, Torque Screwdriver, Clip Remover, Protective Tape, and blanket or Protective Sheet.

Post-installation Diagram



Sport Grille

Installation Procedure



Protective Tape

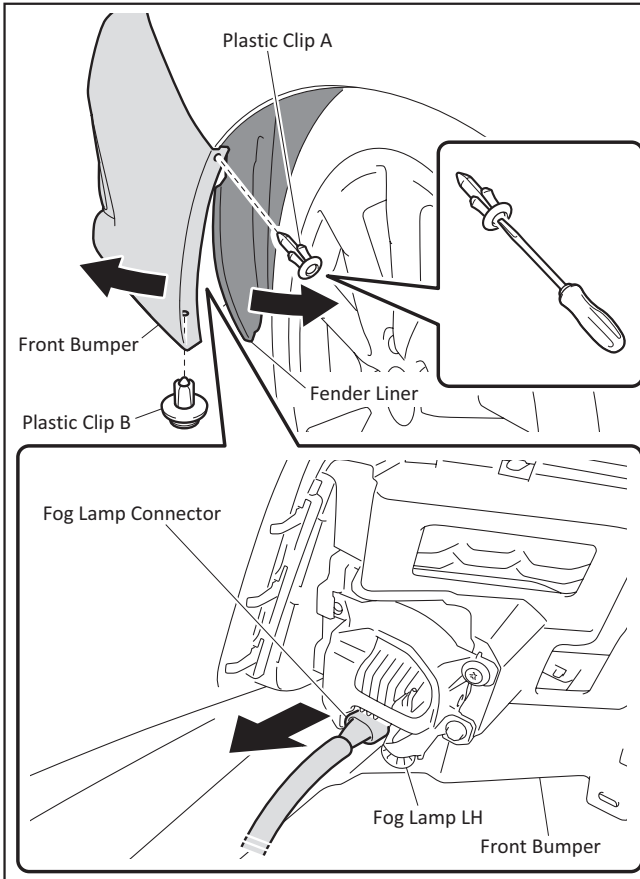
TG-XY-A01

NOTE

For vehicles with fog light, disconnect negative battery terminal before starting.

1. Applying Protective Tape

- (1) Apply Protective Tape to the shaded area in the figure.
- (2) Repeat the same procedure for the left side.



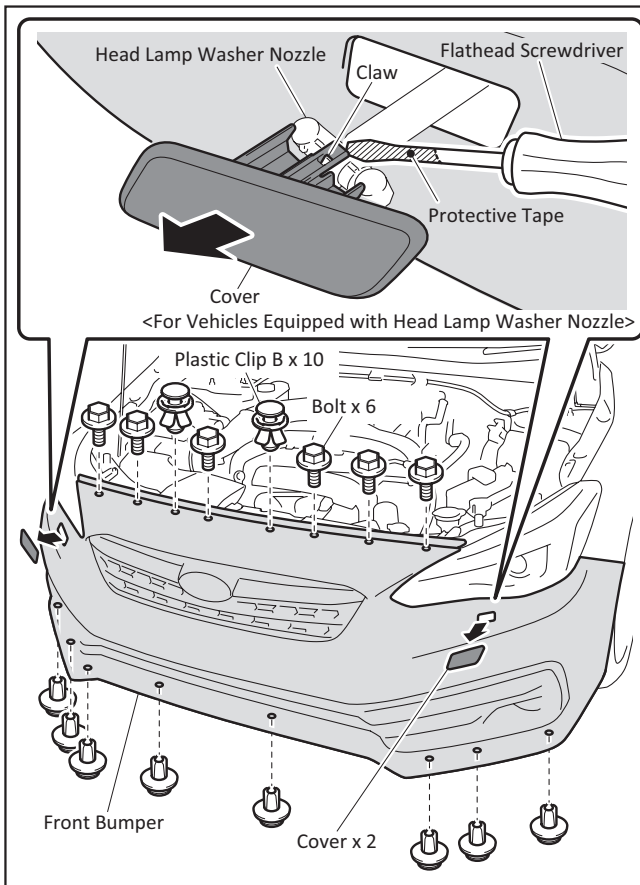
TG-XY-A02

2. Removing the Fog Lamp Harness

- (1) Remove Plastic Clip A (1 pc) and B (1 pc) that secure the Front Bumper, and pull back the Front Bumper and Fender Liner just enough for your hand to fit in between them.
- (2) Remove the Fog Lamp Connector on Fog Lamp LH.
- (3) Repeat the same procedure for the right side.

⚠ CAUTION

- (1) The removed vehicle parts will be reused, so be careful not to misplace them.
(Adopt this practice throughout the rest of the procedure).
- (2) When removing the connector, take extra care not to hurt your arms or hands, and perform the work carefully.



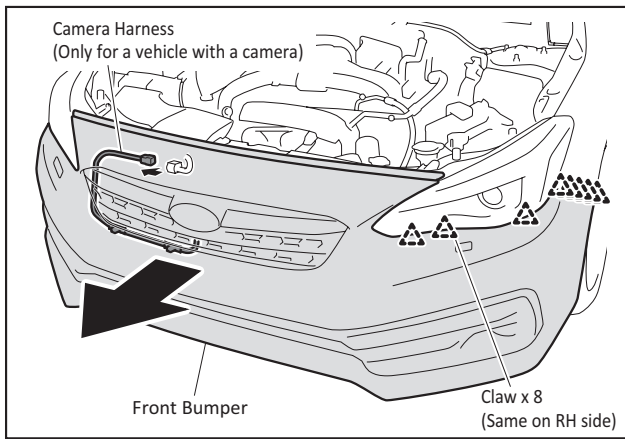
TG-XY-A03

3. Removing the Front Bumper

- (1) For vehicles with bumpers equipped with a headlamp washer, pull out the Headlamp Washer Nozzle, disengage the Claw, and remove the cover.
- (2) Remove the Bolts (6 pcs) and Plastic Clip B (bottom 8 pcs) (top 2 pcs).

👉 NOTE

Do not remove slotted clips when removing the 8 pcs of Plastic Clip B from the bottom of the bumper.

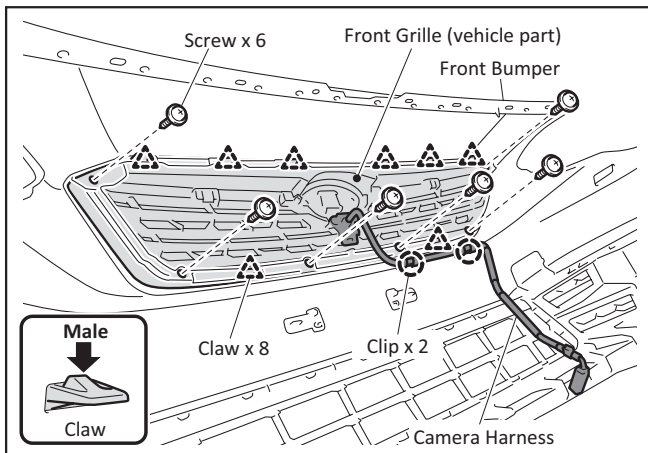


TG-XY-A04

(3) Disengage the Claws (16 places on right and left sides) and remove the Front Bumper.

⚠ CAUTION

- (1) Place the Front Bumper on a blanket or Protective Sheet so that it will not get scratched.
- (2) For vehicles with a camera, make sure to remove the camera harness.



TG-XY-B01

4. Removing the Front Grille

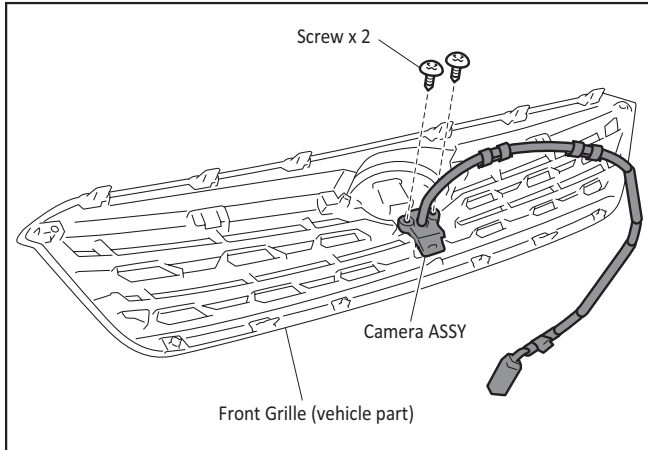
<For vehicles equipped with a camera>

- (1) Remove the Camera Harness Clips (2 places).
- (2) Remove the Screws (6 pcs).
- (3) Disengage the Claws (8 places) and remove the Front Grille (vehicle part).

⚠ CAUTION

Be sure to remove or install the Front Bumper above a blanket or Protective Sheet so that it will not get scratched.

(Adopt this practice throughout the rest of the procedure).

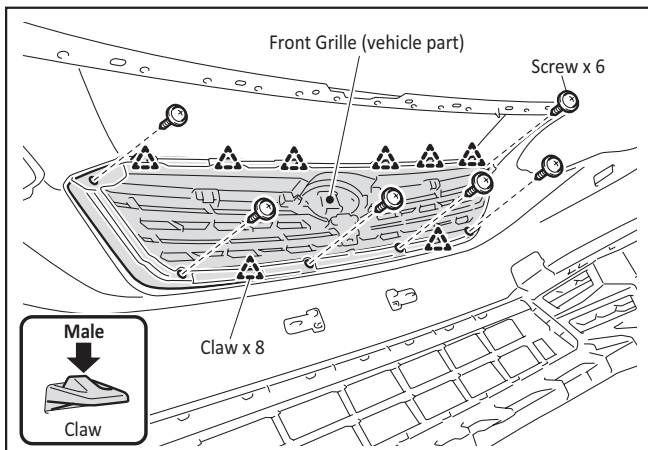


TG-XY-B03

(5) Unscrew the Screws (2 pcs) and then remove the Camera ASSY.

👉 NOTE

The Screws (2 pcs) and Front Grille (vehicle part) will not be used again.



TG-XY-B02

<For vehicles without a camera>

- (1) Remove the Screws (6 pcs).
- (2) Disengage the Claws (8 places) and remove the Front Grille (vehicle part).

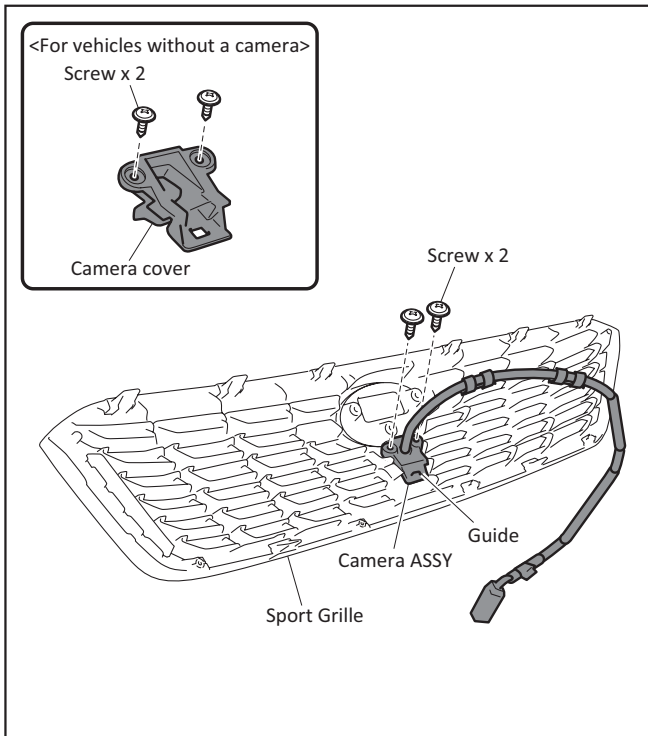
⚠ CAUTION

Be sure to remove or install the Front Bumper above a blanket or Protective Sheet so that it will not get scratched.

(Adopt this practice throughout the rest of the procedure).

👉 NOTE

Front Grille (vehicle part) will not be used again.



TG-XY-B04

5. Removing the Camera or Camera Cover

<For vehicles equipped with a camera>

- (1) Attach the Camera ASSY to the Sport Grille with the Screws (2 pcs) and Guide (1 place).

Tightening torque: 1.1 Nm \pm 0.2 (10 in-lbs \pm 1)

CAUTION

Use the Screws (2 pcs) included with the product.

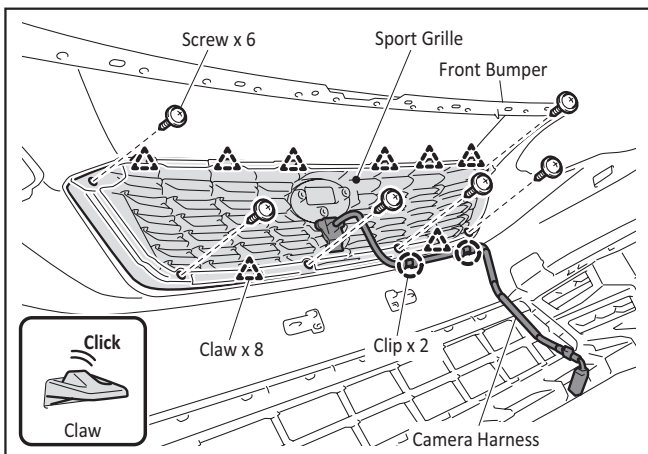
<For vehicles without a camera>

- (1) Attach the camera cover to the Sport Grille with the Screws (2 pcs) and Guide (1 place).

Tightening torque: 1.1 Nm \pm 0.2 (10 in-lbs \pm 1)

CAUTION

Use the Screws (2 pcs) and camera cover included with the product.

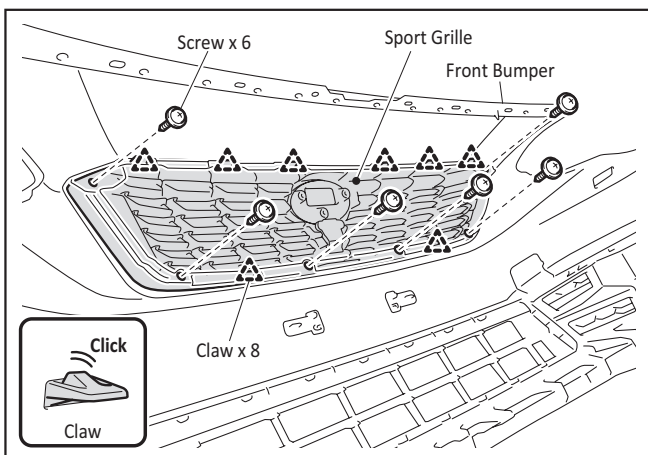


TG-WD-B05

6. Installing the Sport Grille

<For vehicles equipped with a camera>

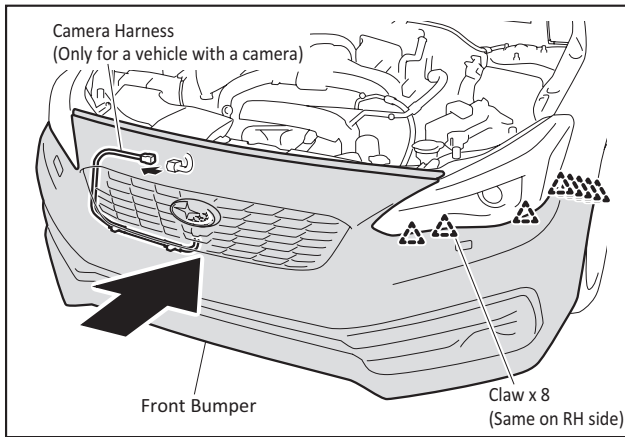
- (1) Engage the Claws (8 places) to attach the Sport Grille to the Front Bumper.
- (2) Secure the Sport Grille with the Screws (6 pcs). (10 in-lbs \pm 1)
- (3) Secure the Camera Harness to the Front Bumper with the Clips (2 places).



TG-WD-B06

<For vehicles without a camera>

- (1) Engage the Claws (8 places) to attach the Sport Grille to the Front Bumper.
- (2) Secure the Sport Grille with the Screws (6 pcs).



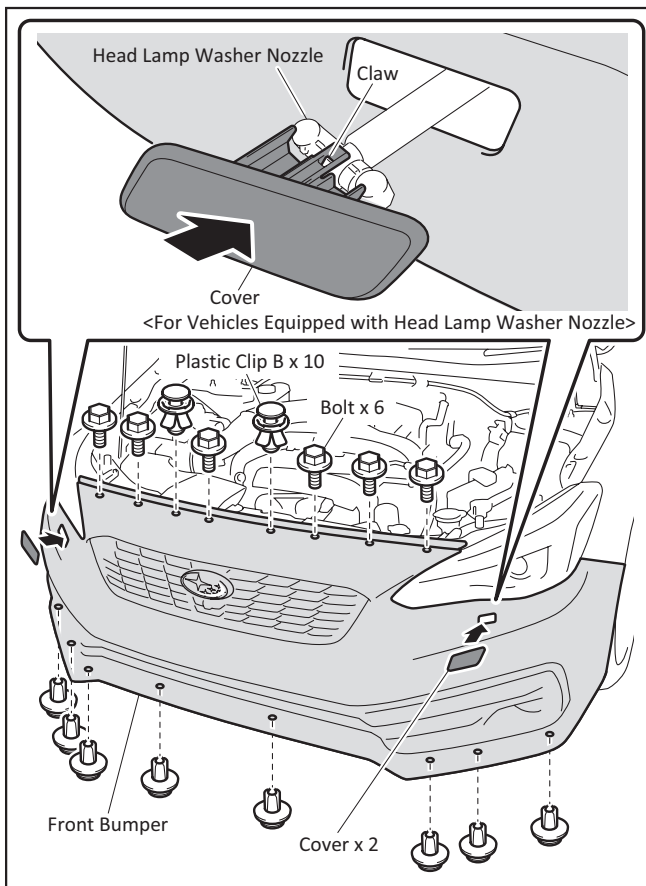
TG-XY-C01

7.Reinstalling the Front Bumper

- (1) Engage the Claws (16 places) and reinstall the Front Bumper.

⚠ CAUTION

- (1) Check that the Front Bumper Claws are set in the correct position before pushing them in to engage them. Not doing so may damage the Front Bumper.
- (2) For vehicles with a camera, make sure to connect the camera harness.

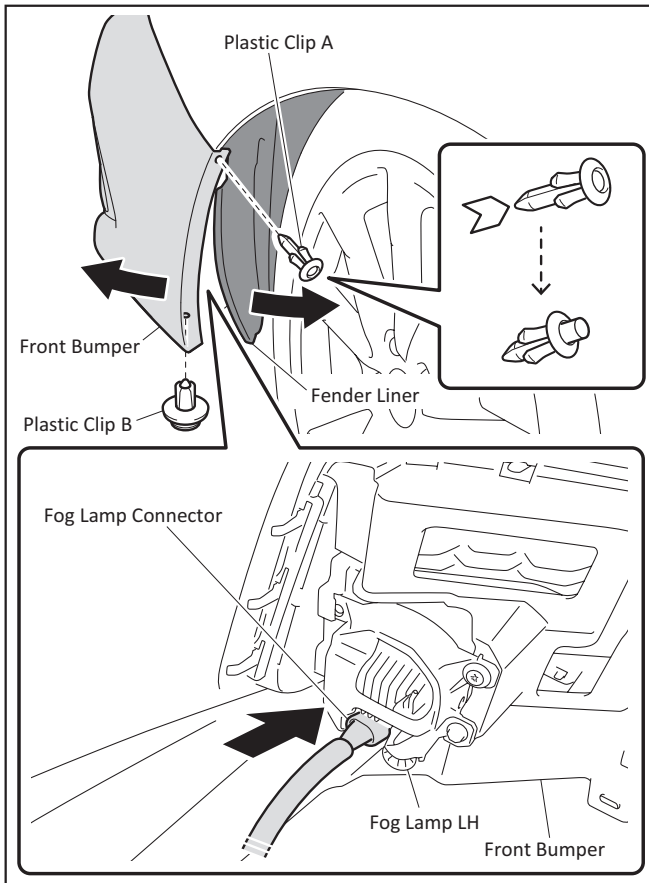


TG-XY-C02

- (2) Secure the Front Bumper with the Bolts (6 pcs) and Plastic Clip B (bottom 8 pcs) (top 2 pcs).

Tightening torque: 7.5 Nm \pm 2 (66 in-lbs \pm 18)

- (3) For vehicles with bumpers equipped with a headlamp washer, pull out the Headlamp Washer Nozzle, engage the Claw, and attach the cover.



TG-XY-C03

8.Connecting the Fog Lamp Harness

- (1) Pull back the Front Bumper and Fender Liner just enough for your hand to fit in between them, and connect the Fog Lamp Harness.
- (2) Secure the Front Bumper with Plastic Clip A (1 pc) and B (1 pc).
- (3) Repeat the same procedure for the right side.

⚠ CAUTION

- (1) When connecting the Fog Lamp Harness, take extra care not to hurt your arms or hands, and perform the work carefully.
- (2) Check the orientation of the Fog Lamp Connector and insert it until it makes a clicking sound. The Fog Lamps will not turn on if the connector is not connected correctly.

Post-installation Inspection

- (1) Remove all Protective Tape.
- (2) Follow the Service Manual when performing the work.

⚠ CAUTION

- (1) Check that the Fog Lamps turn on.
- (2) Check that the camera images are displayed correctly on the multifunction display.
- (3) Re-check that the Plastic Clips and Bolts are not loose and the parts are properly secured.

Revision History

Revision	Revision Date	Revision details