



# TRASH BIN

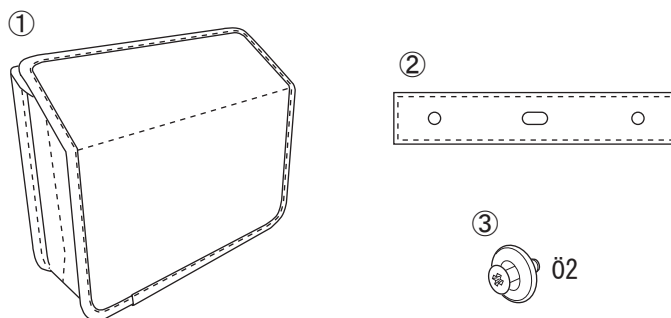
Installation Manual

Genuine Part Number J2010Y0000  
 Applicable Vehicle Models FORESTER (SL) 2025MY~  
 OUTBACK (AR) 2026MY~  
 WRX (VB) 2025MY~  
 ASCENT (WM) 2025MY~  
 CROSSTREK (GU) 2026MY~  
 IMPREZA (GU) 2026MY~

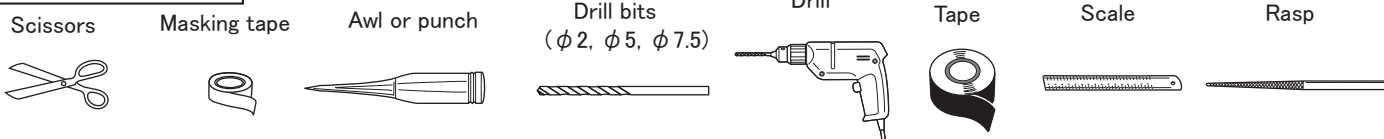
## Components parts

No.	Components parts	Quantity
①	TRASH BIN	1
②	Fixing plate	1
③	Resin clip	3

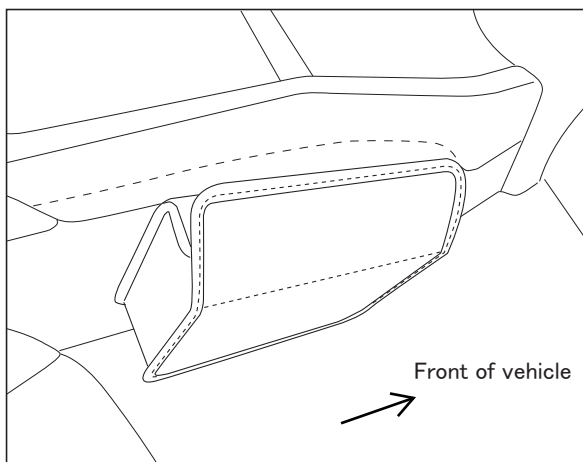
② The fixing plate is already attached to  
 ① the TRASH BIN body.



## Tools Required

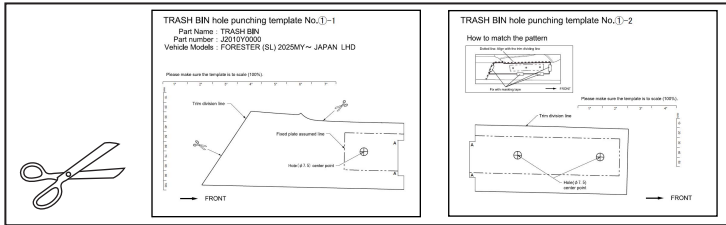


## Installation Procedure



### 【Completed Installation Status】

This product is installed on the passenger side.  
 The following images and explanations use the  
 FORESTER (SL) 2025MY~LHD as an example.



1. Please select the appropriate car template (two sheets) from the WEB-UP data and print it on letter-size paper. Measure it with a scale to make sure the magnification is 100%, then cut it out with scissors along the cut lines. Tape the two sections together to assemble the complete template.

Template identification table

Car model	Country of origin	Transmission	Template No.
FORESTER (SL) 2025MY~	Japan	CVT	①
	U.S.A.		②
OUTBACK (AR) 2026MY~	Japan	CVT	③
WRX (VB) 2025MY~	Japan	CVT	④
		MT	⑤
ASCENT (WM) 2025MY~	U.S.A.	CVT	⑥
CROSSTREK (GU) 2026MY~	ALL	CVT	⑦
IMPREZA (GU) 2026MY~			

※FORESTER (SL) 2025MY~ is available in two console shapes, depending on whether it is made in Japan or America. Please check the country of manufacture in the table below.

Identification method using FMVSS (USA)/CMVSS (Canada) labels

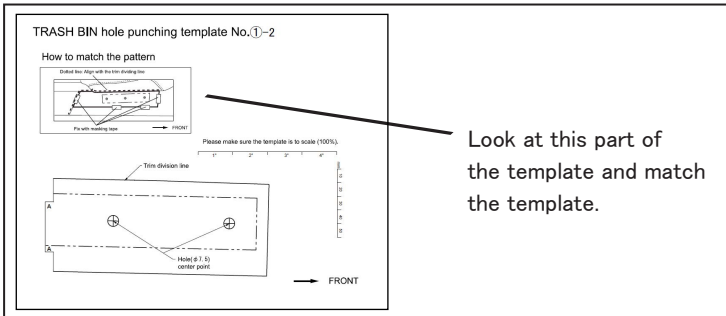
Label pasting position

Japan	U.S.A.
PASSENGER CAR TYPE:PC/VT ICES/NMB-002	ASSEMBLED BY SIA INC. MADE IN U. S. A.

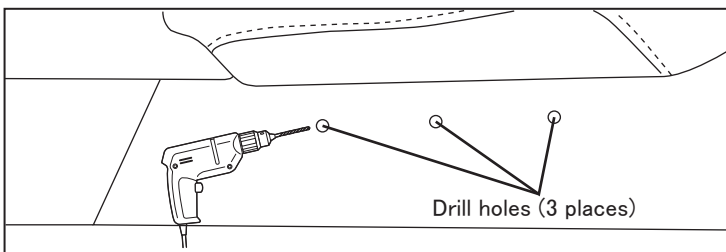
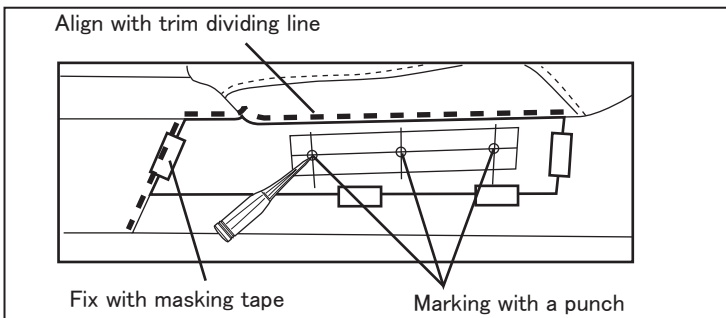
Identification method using cup holder

Japan

U.S.A.



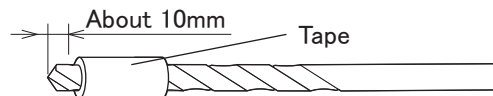
Look at this part of the template and match the template.



- Slide the passenger seat to the furthest back position and align the template with the trim division line of the vehicle console. Fix the template in place using masking tape. Check from the side to ensure the template is correctly positioned. Then, mark the center of the hole-drilling points using an awl or punch. For details, please refer to the "How to match the template" listed on the template for each vehicle.

- After removing the template, use a drill to create holes the order of  $\phi 2 \rightarrow \phi 5 \rightarrow \phi 7.5$ . After drilling, remove any burrs with a rasp. Clean up any cutting chips after completing the work.

**⚠ Caution** • When drilling holes, wrap the tape tightly around the drill bit to prevent accidents from punching through.



- When drilling holes, make sure to drill perpendicular to the surface.
- If the hole position is misaligned, the TRASH BIN may not attach correctly, so please be careful when drilling the holes.
- When drilling holes, if you press the trim or insert the drill too far, you may damage the internal components of the console.

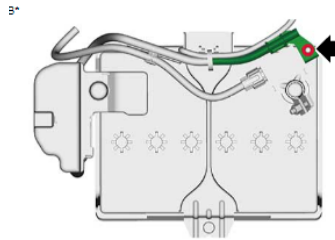
※For CROSSTREK (GU) 2026MY~ and IMPREZA (GU) 2026MY~

Please remove the trim before drilling because there is a harness inside the console.

Please refer to page 4 for how to remove the trim.

## How to remove trim for CROSSTREK (GU) 2026MY~ and IMPREZA (GU) 2026MY~

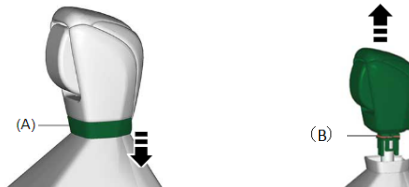
1. Disconnect the ground terminal from the battery.  
NOTE: Save fasteners for later reassembly.



### 2. Removing the Grip.

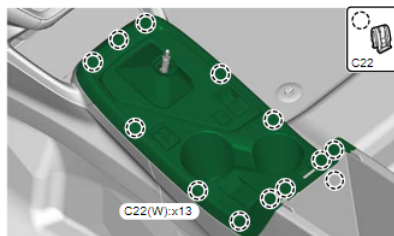
- (1). Lower the boot(A).
- (2). Release the clamp(B).
- (3). Remove the grip.

NOTE: Save fasteners for later reassembly.



### 3. Removing the Cover Assembly Front.

- (1). Disengage the clips.
- (2). Disconnect any electrical connectors from inner surface of cover assembly front.
- (3). Remove cover assembly front.



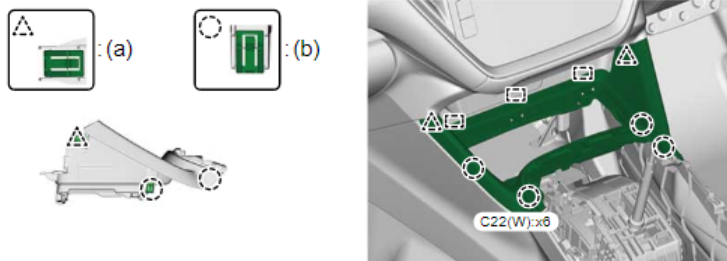
### 4. Removing Console Box Assembly.

- (1). Remove caps(A) on both sides.
- (2). Remove bolts(C) on both sides.
- (3). Remove the screws.
- (4). Disengage the clips.
- (5). Disconnect the connector.
- (6). Remove console box assembly.

NOTE: Save fasteners for later reassembly.

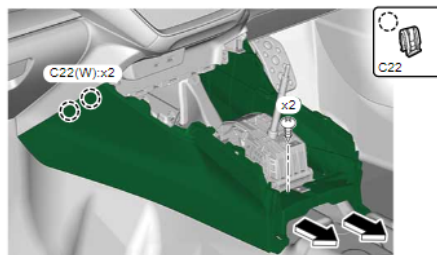


5. Remove the Tray Assemble Center, paying attention to the direction of the clip.



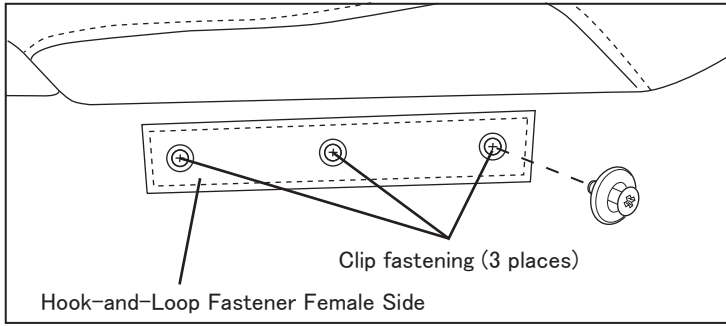
### 6. Removing the Cover Center Side for passenger side.

- (1). Remove the screws.
- (2). Disengage the clips.
- (3). Remove the Cover Center Side for passenger side. NOTE: Save fasteners for later reassembly.

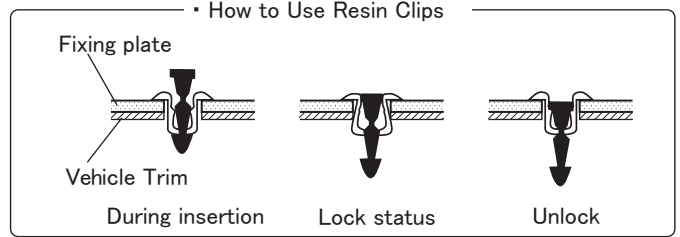


7. After drilling holes in trim, reverse steps 6 through 1 to reinstall all vehicle components.

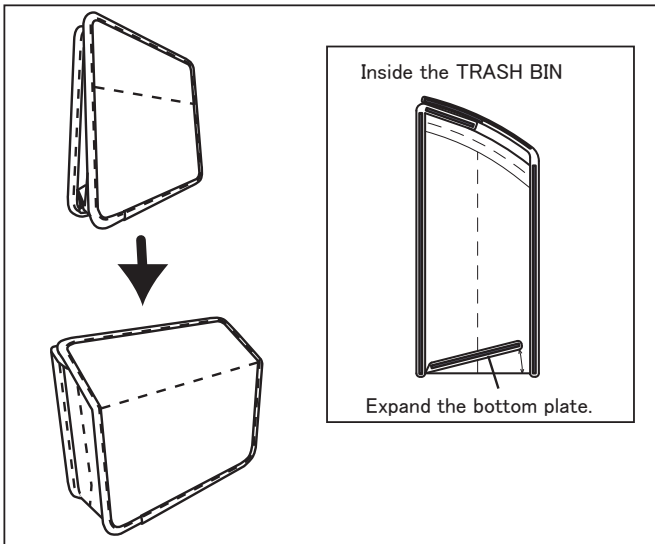
NOTE: (1). Make sure to connect the Camera Harness.  
(2). Check that the fasteners are not loose and the parts are properly secured.



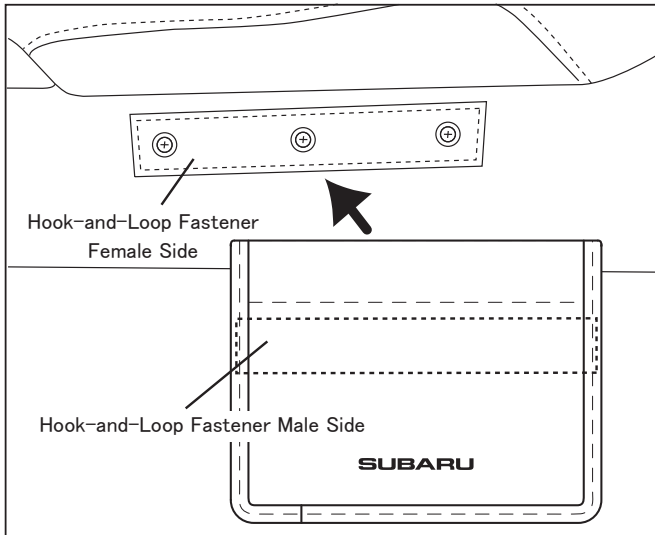
4. Fix the fixing plate to the vehicle console with resin clips (3 places).



**⚠ Caution** • Make sure the clips are securely fastened. There is a risk that the TRASH BIN may fall off.



5. Expand the bottom plate of the TRASH BIN to prepare it for use.



6. Use the hook-and-loop fastener on the back of the TRASH BIN to attach the box to the fixing plate.

**⚠ Caution** • When fixing with a hook-and-loop fastener, open the lid of the TRASH BIN body, put your hand inside, and firmly crimp the hook-and-loop fastener. There is a risk that the TRASH BIN may fall off.

### Revision History Column

△	Content	Date
00	Create new	25-Apr-25

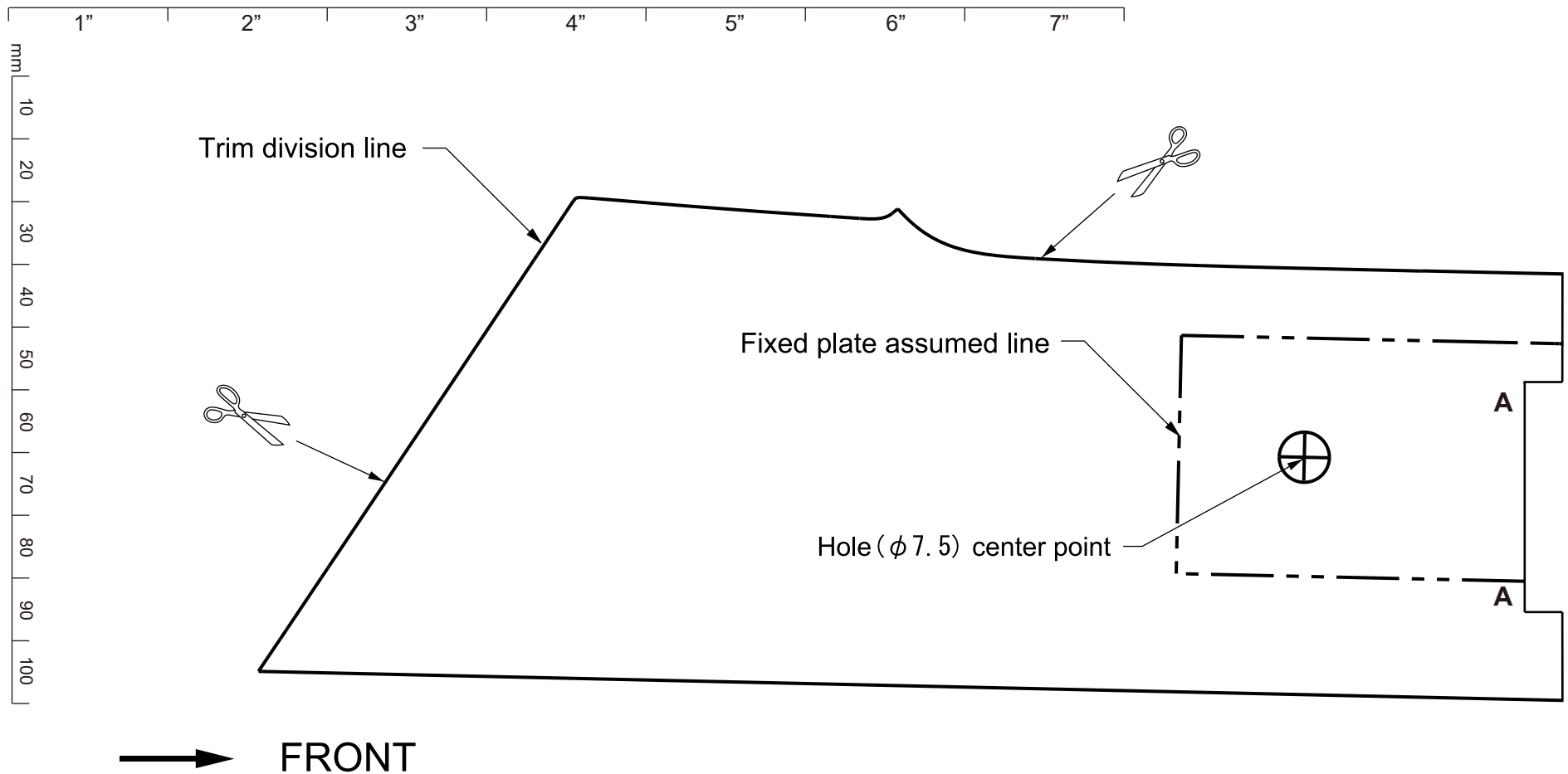
# TRASH BIN hole punching template No.①-1

Part Name : TRASH BIN

Part number : J2010Y0000

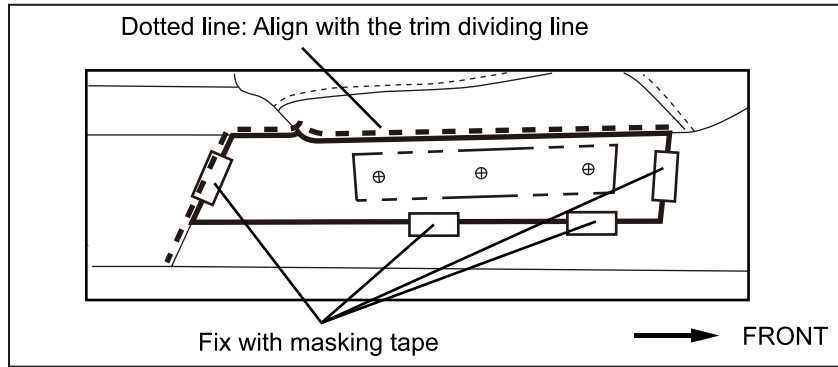
Vehicle Models : FORESTER (SL) 2025MY~ JAPAN LHD

Please make sure the template is to scale (100%).

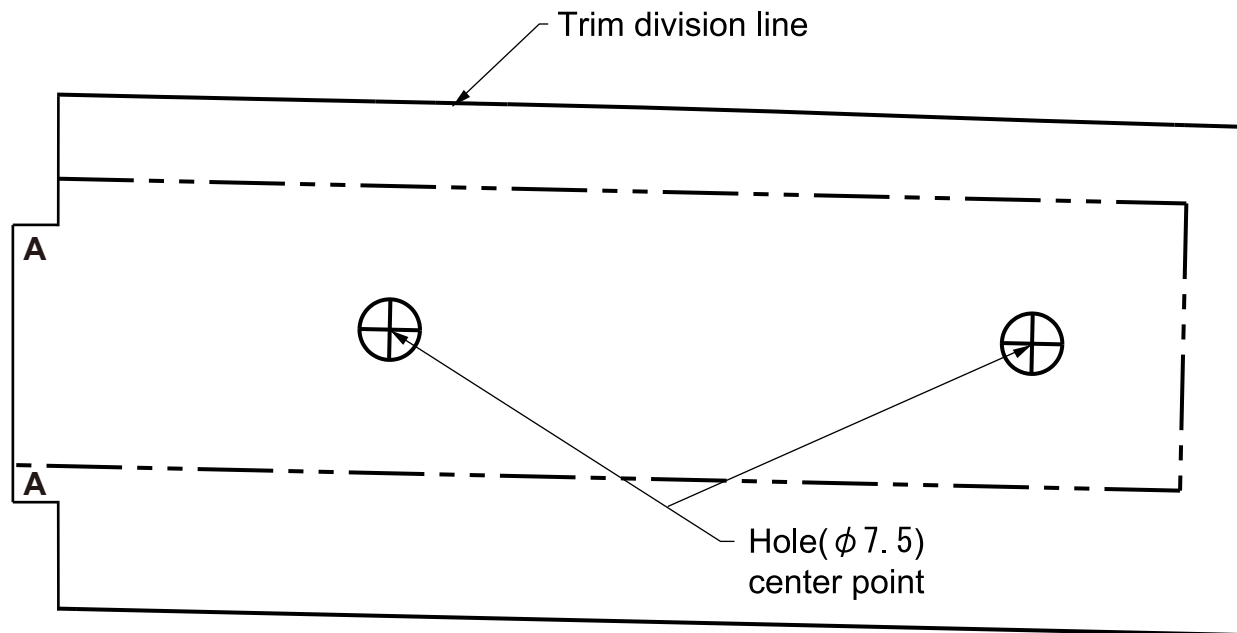
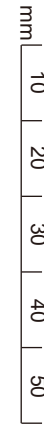
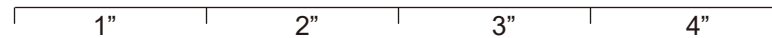


# TRASH BIN hole punching template No.①-2

## How to match the pattern



Please make sure the template is to scale (100%).



FRONT

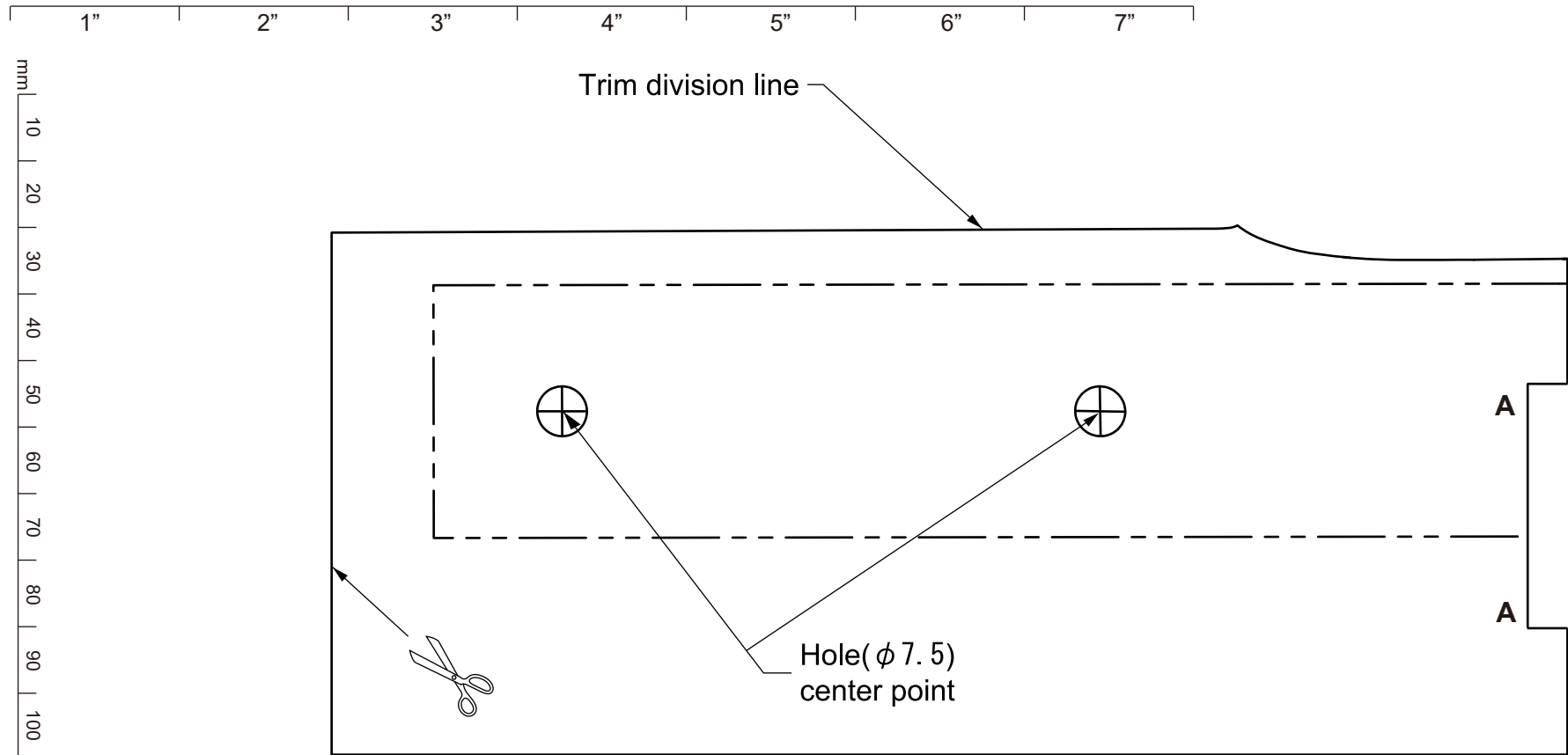
# TRASH BIN hole punching template No.②-1

Part Name : TRASH BIN

Part number : J2010Y0000

Vehicle Models : FORESTER (SL) 2025MY~ U.S.A LHD

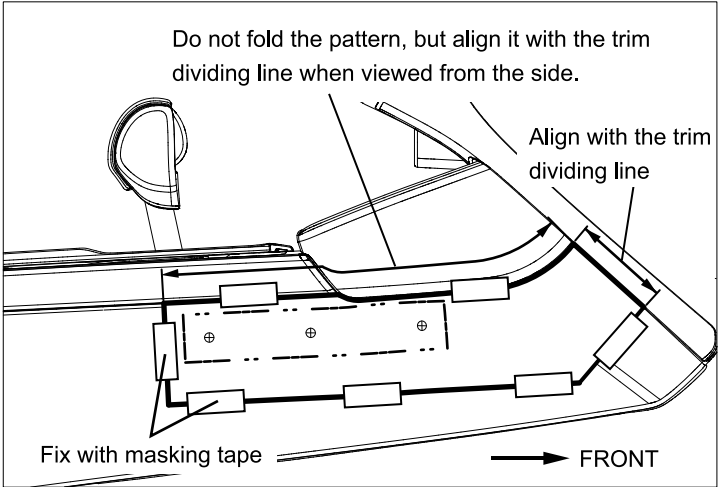
Please make sure the template is to scale (100%).



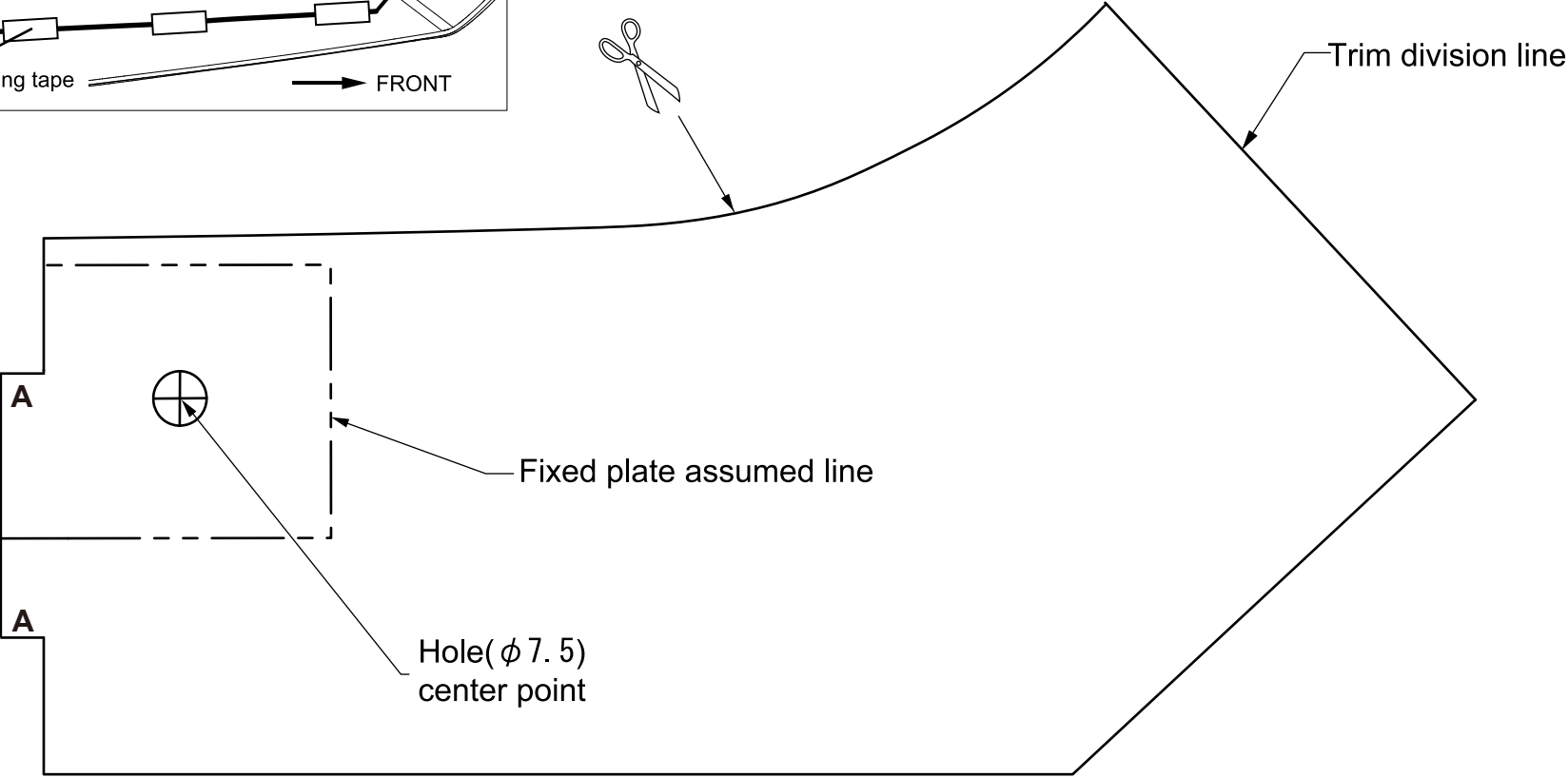
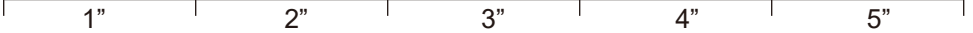
→ FRONT

# TRASH BIN hole punching template No. ②-2

## How to match the pattern



Please make sure the template is to scale (100%).



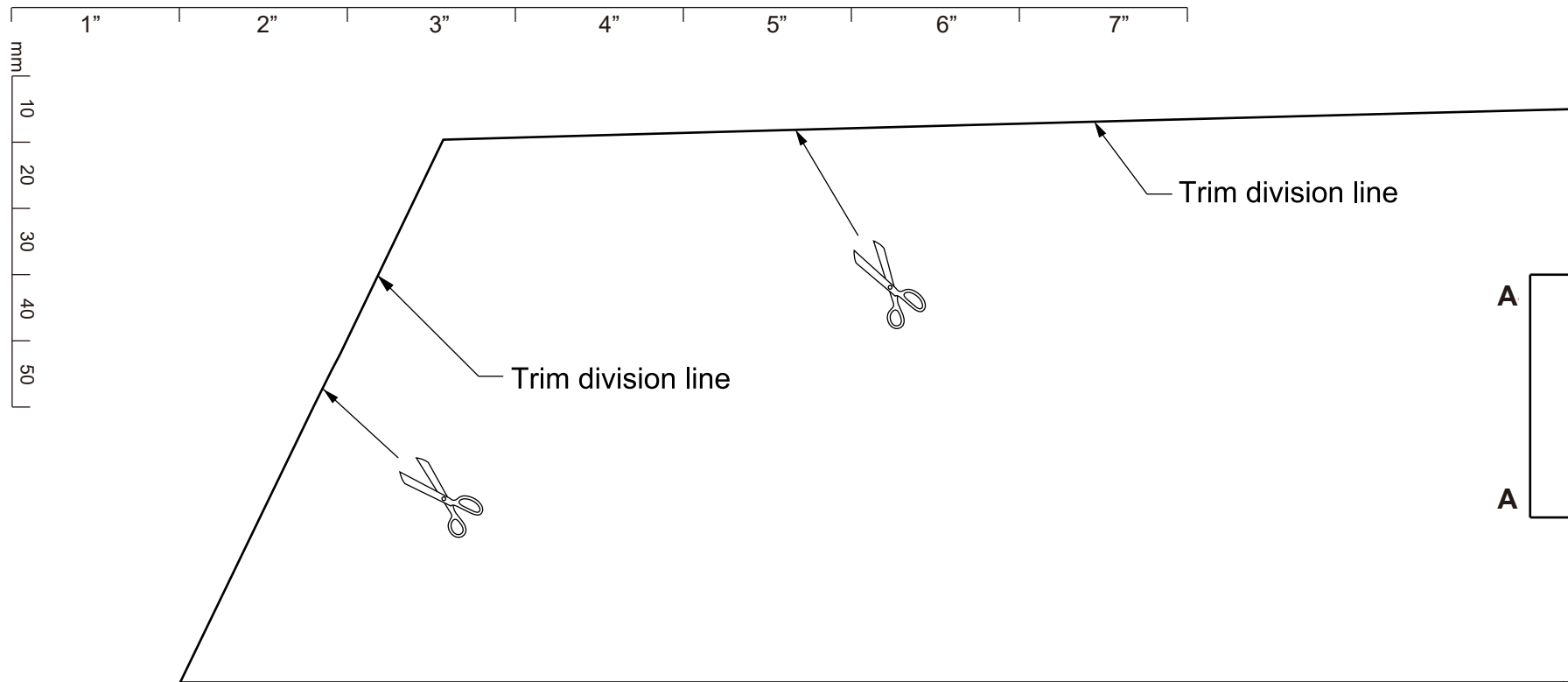
# TRASH BIN hole punching template No.③-1

Part Name : TRASH BIN

Part number : J2010Y0000

Vehicle Models : OUTBACK (AR) 2026MY~

Please make sure the template is to scale (100%).

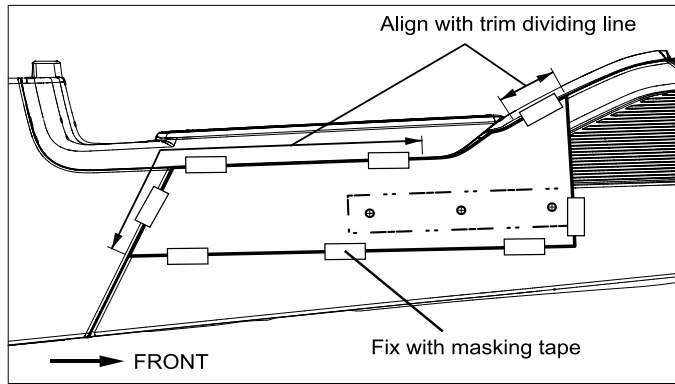


→ FRONT

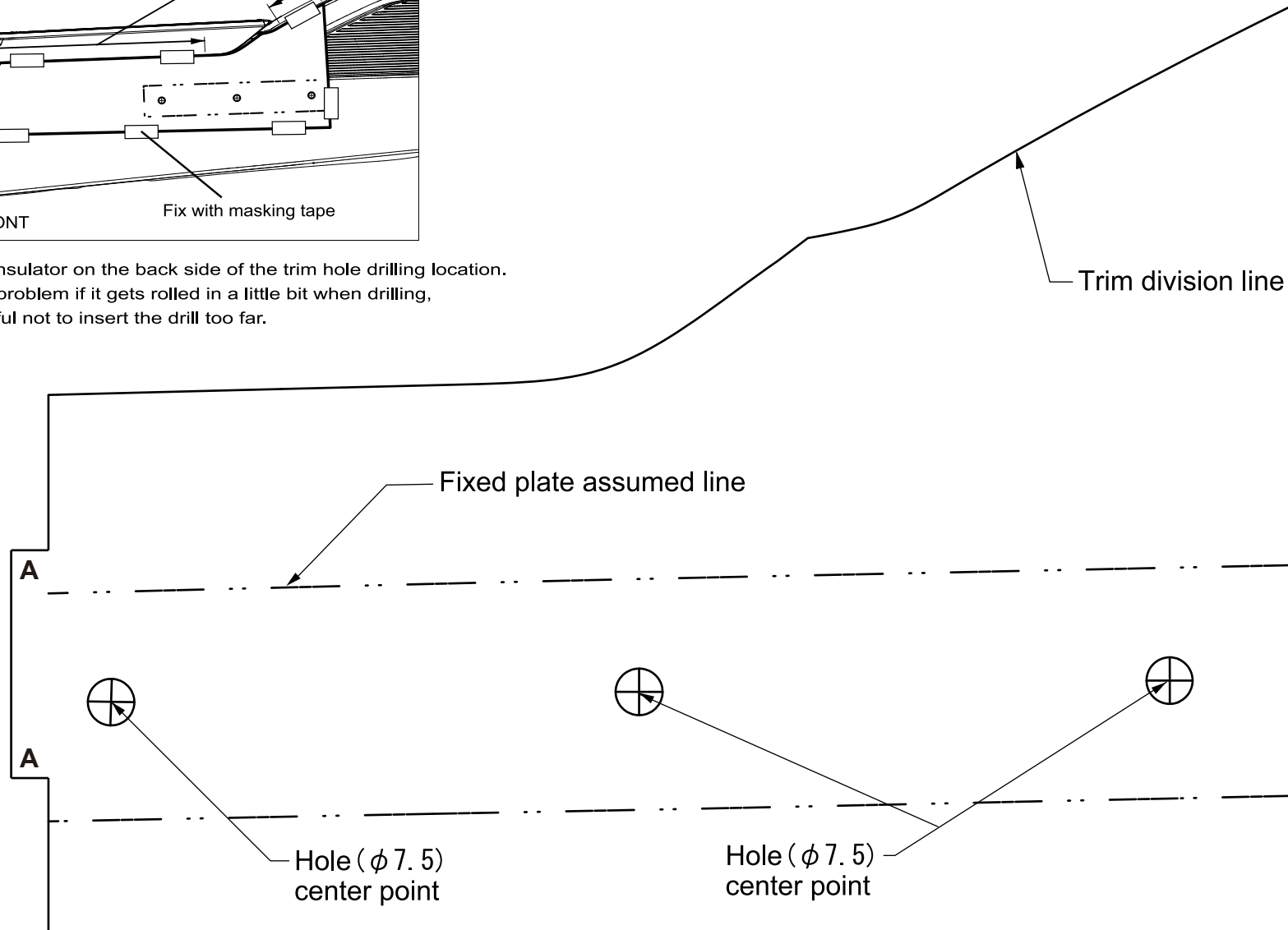
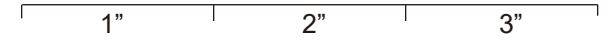
# TRASH BIN hole punching template No.③-2

## How to match the pattern

Please make sure the template is to scale (100%).



※There is an insulator on the back side of the trim hole drilling location.  
There is no problem if it gets rolled in a little bit when drilling,  
but be careful not to insert the drill too far.



FRONT

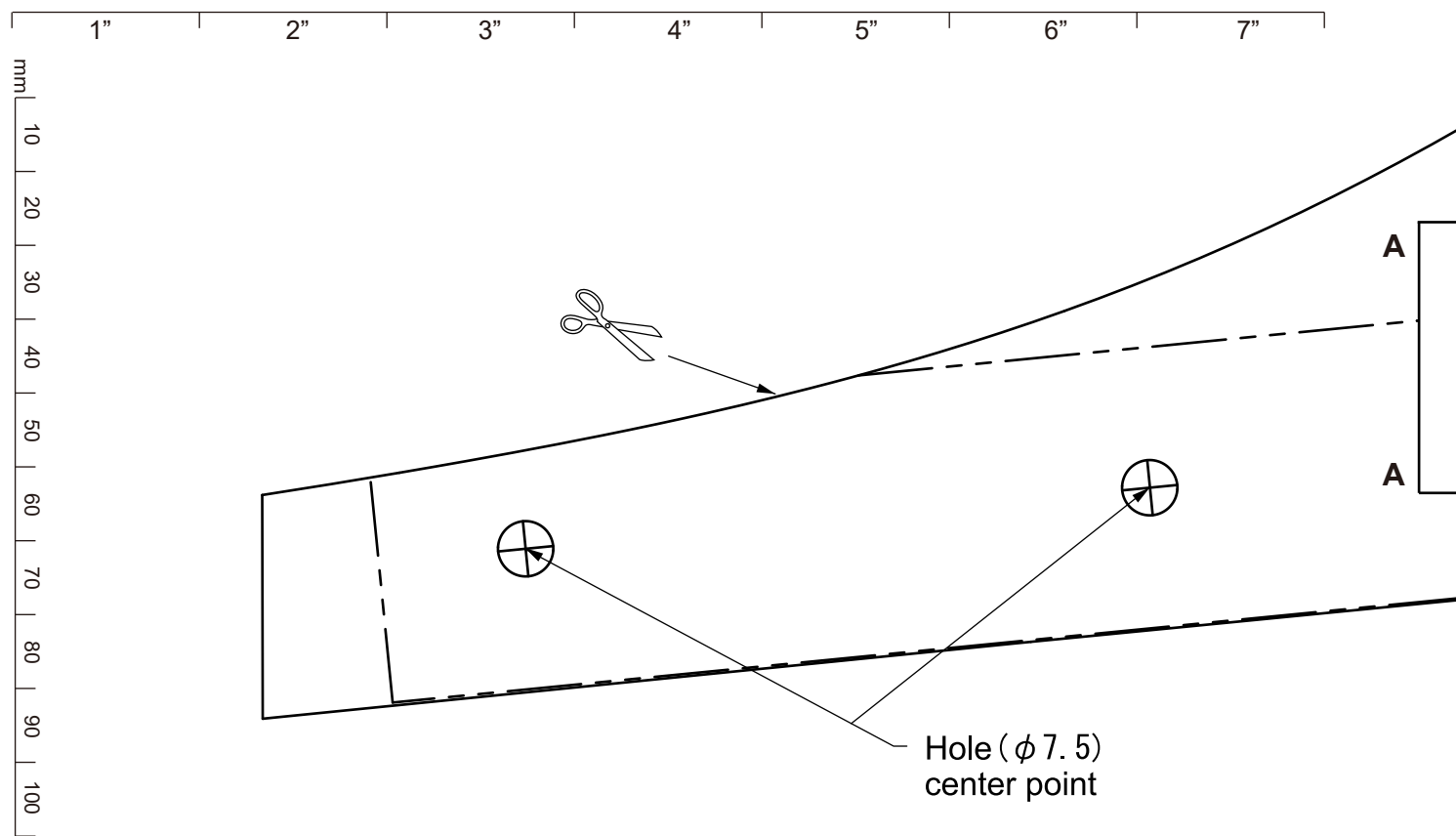
# TRASH BIN hole punching template No.④-1

Part Name : TRASH BIN

Part number : J2010Y0000

Vehicle Models : WRX S4 (VB) 2026MY~CVT/LHD

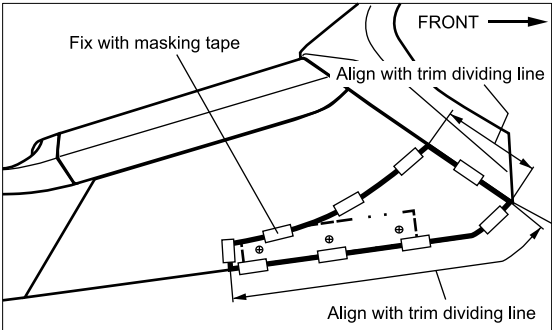
Please make sure the template is to scale (100%).



→ FRONT

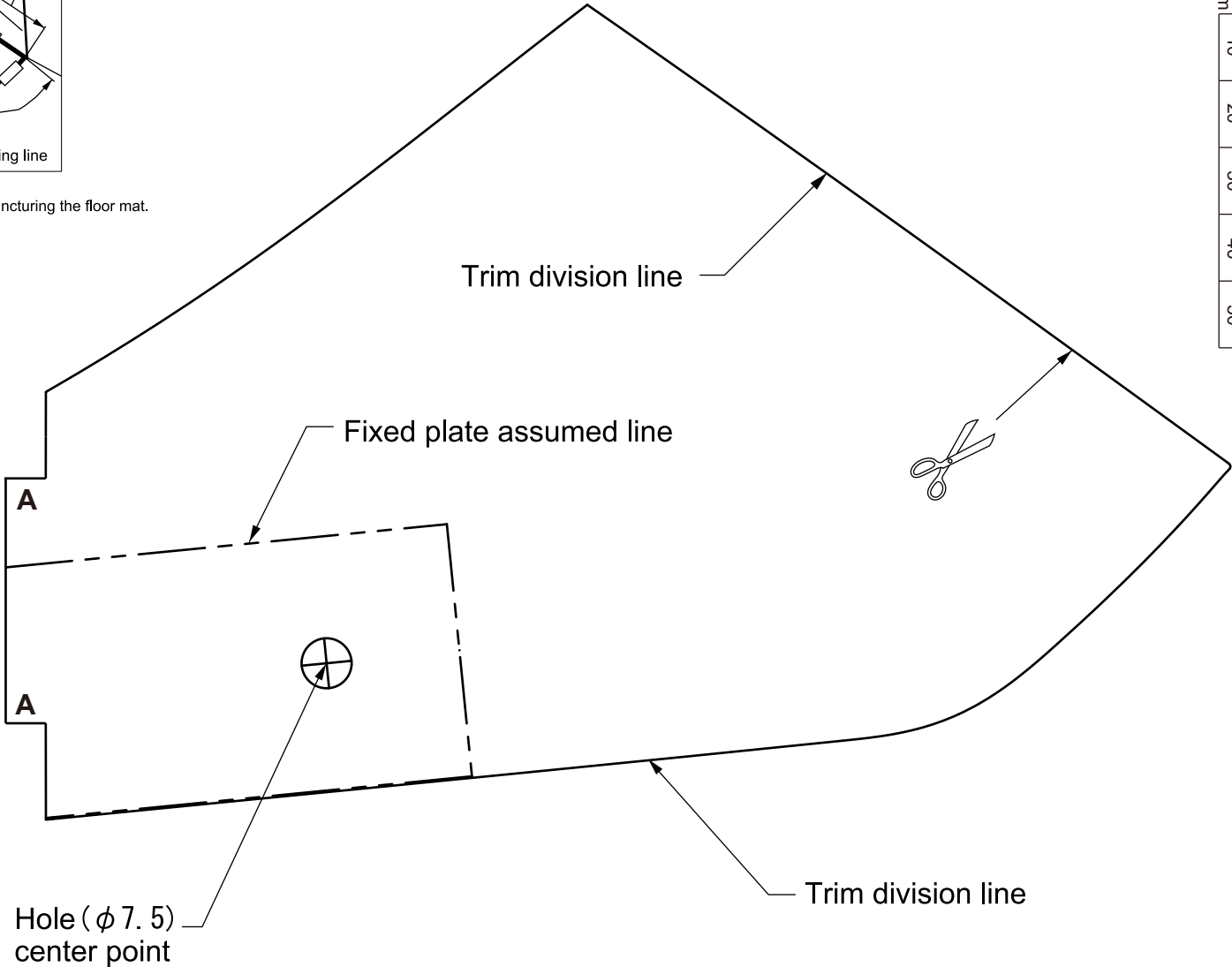
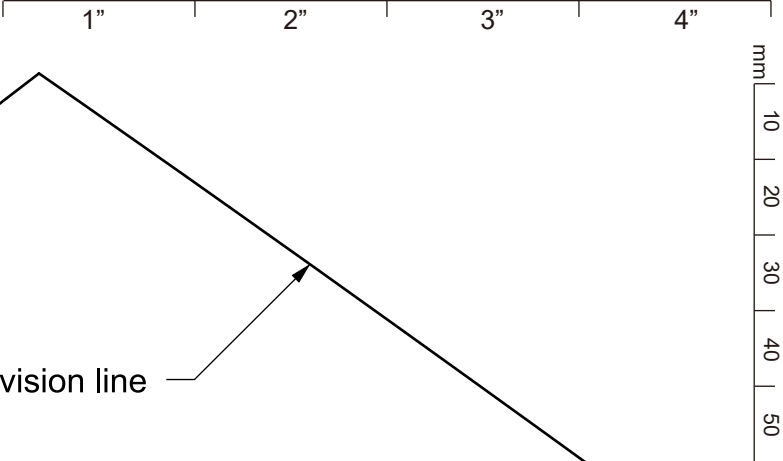
# TRASH BIN hole punching template No.④-2

How to match the pattern



※There is a floor mat on the inside of the trim.  
Please be careful not to insert the drill too much to avoid puncturing the floor mat.

Please make sure the template is to scale (100%).



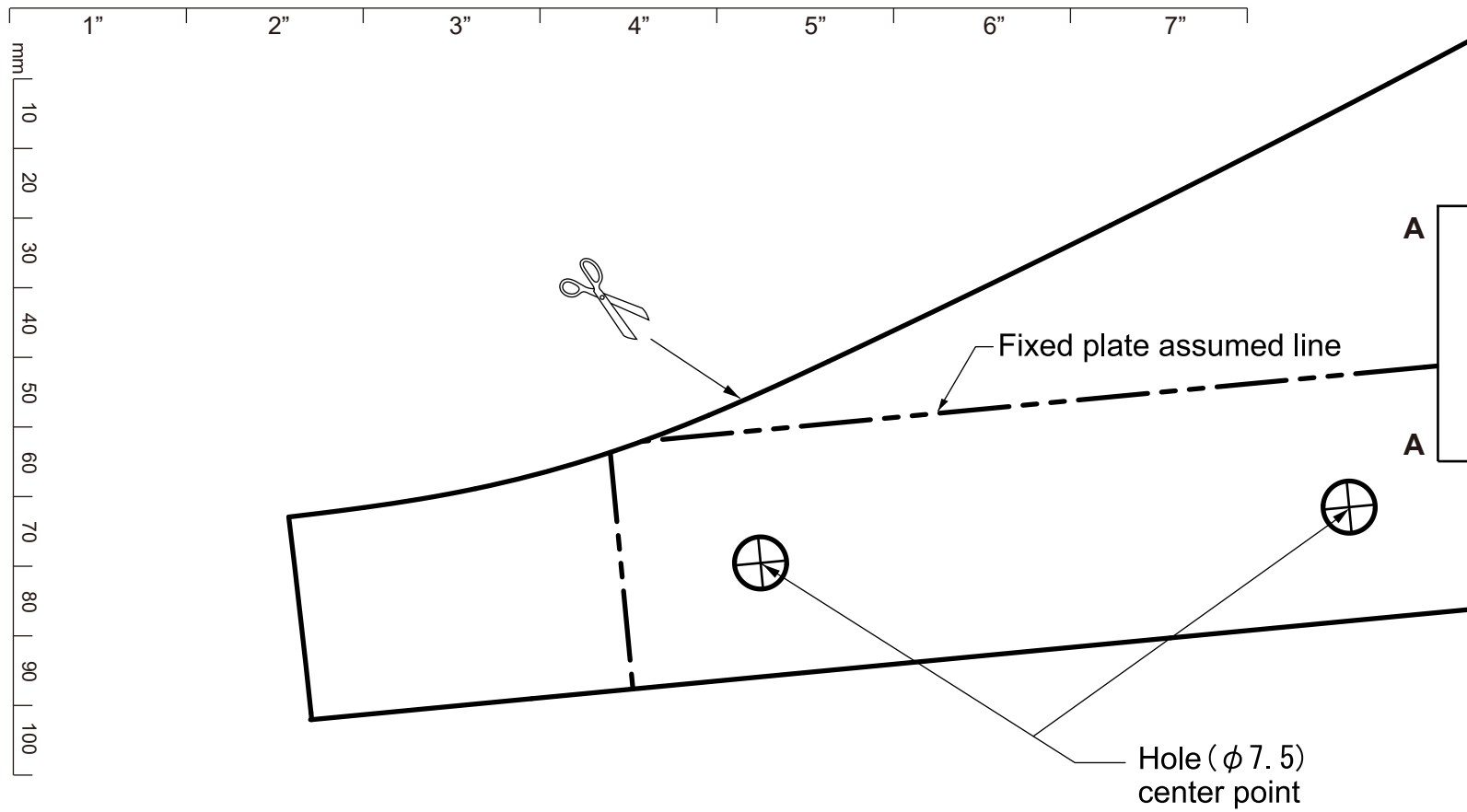
# TRASH BIN hole punching template No.⑤-1

Part Name : TRASH BIN

Part number : J2010Y0000

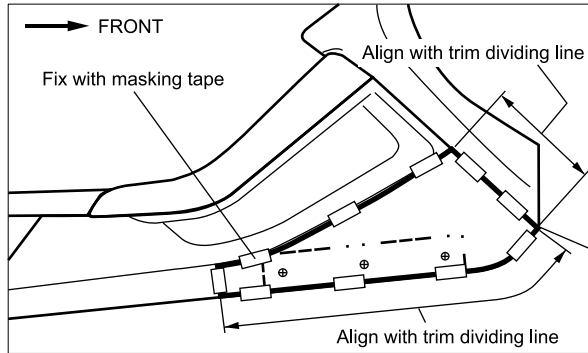
Vehicle Models : WRX S4 (VB) 2026MY~MT/LHD

Please make sure the template is to scale (100%).



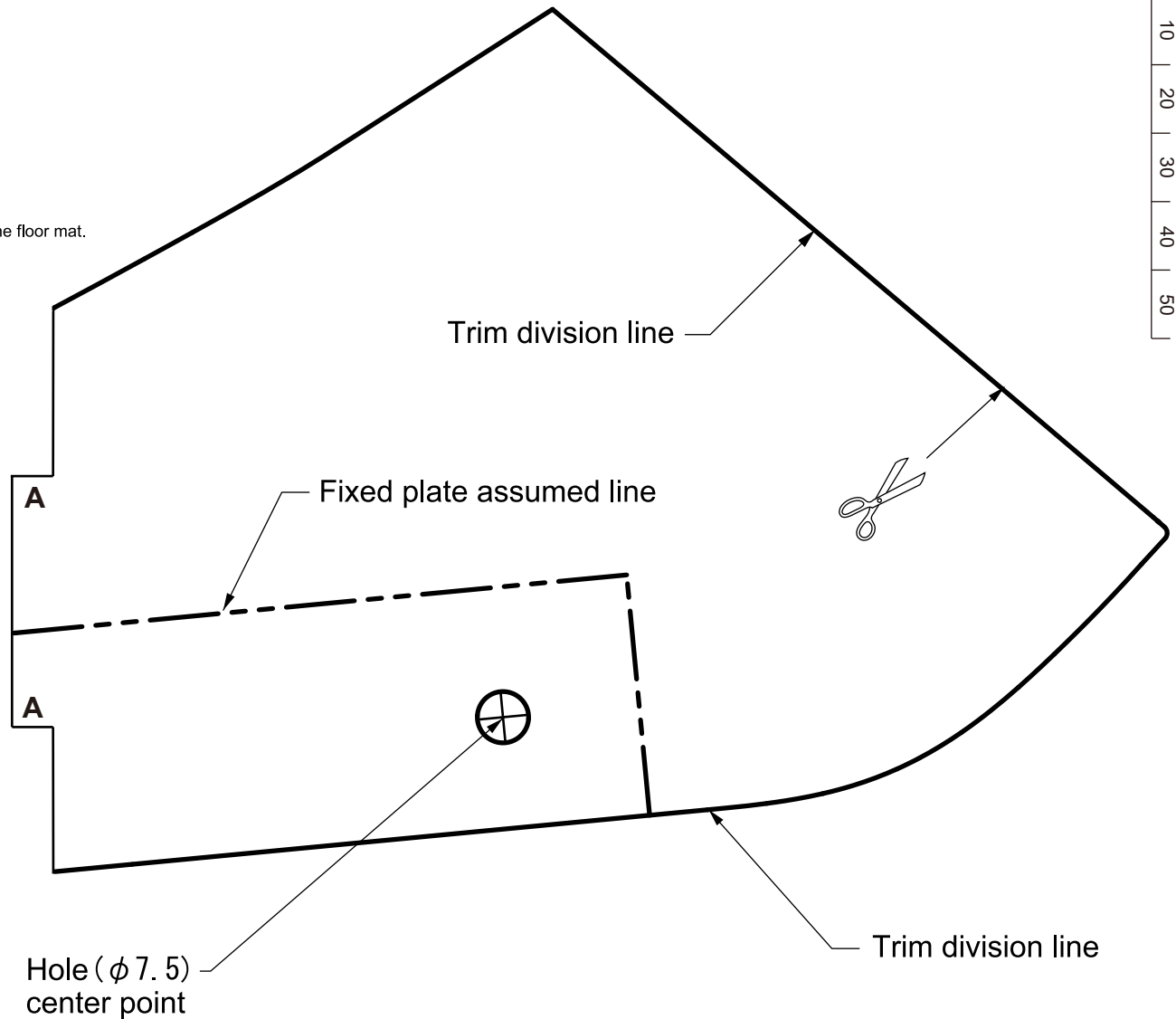
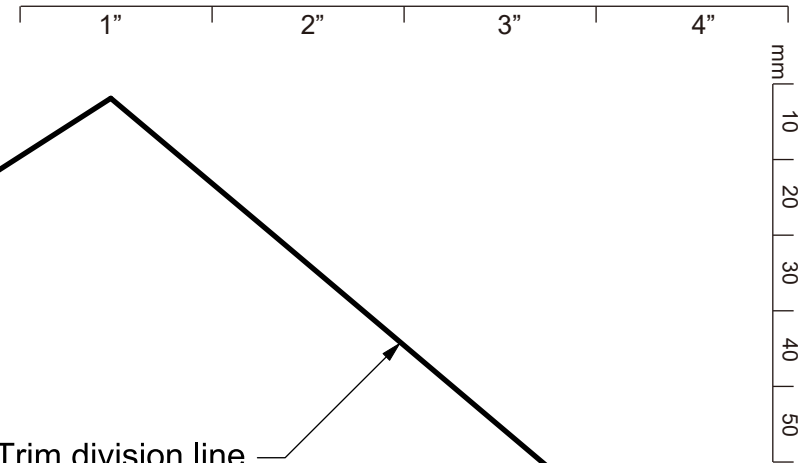
# TRASH BIN hole punching template No. ⑤-2

How to match the pattern



※There is a floor mat on the inside of the trim.  
Please be careful not to insert the drill too much to avoid puncturing the floor mat.

Please make sure the template is to scale (100%).



→ FRONT

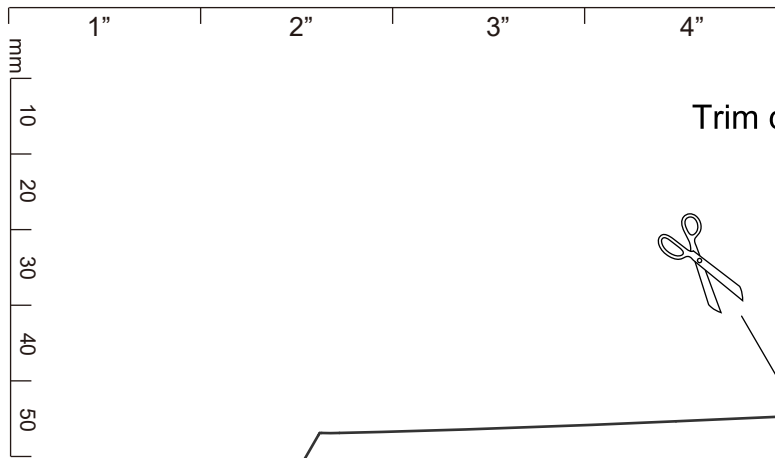
# TRASH BIN hole punching template No.⑥-1

Part Name : TRASH BIN

Part number : J2010Y0000

Vehicle Models : ASCENT (WM) 2025MY~

Please make sure the template is to scale (100%).



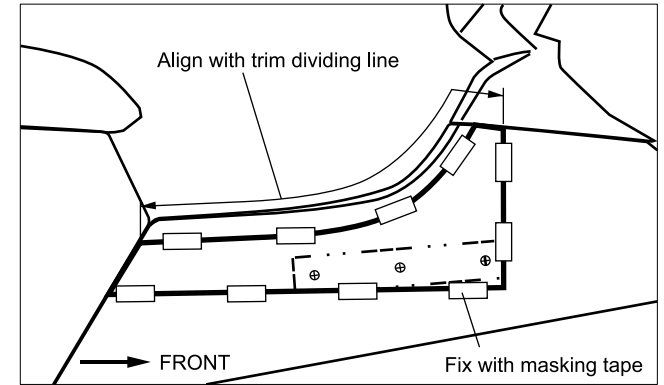
Trim division line



Trim division line

→ FRONT

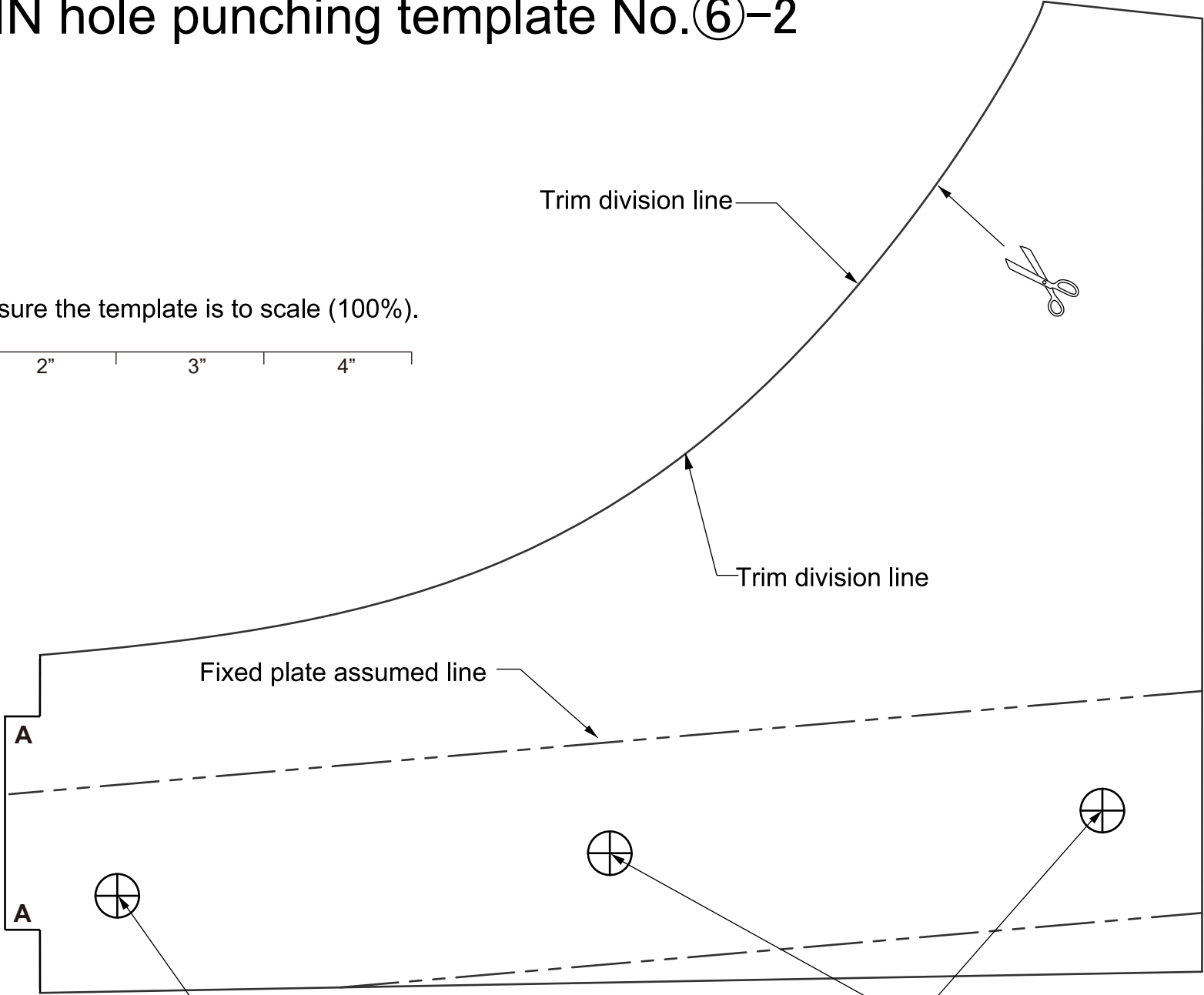
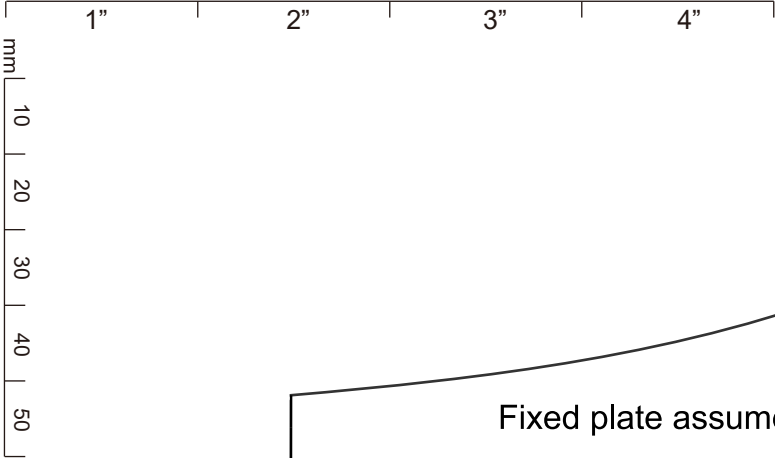
How to match the pattern



There is an insulator on the back side of the trim hole drilling location. There is no problem if it gets rolled in a little bit when drilling, but be careful not to insert the drill too much.

# TRASH BIN hole punching template No.⑥-2

Please make sure the template is to scale (100%).



→ FRONT

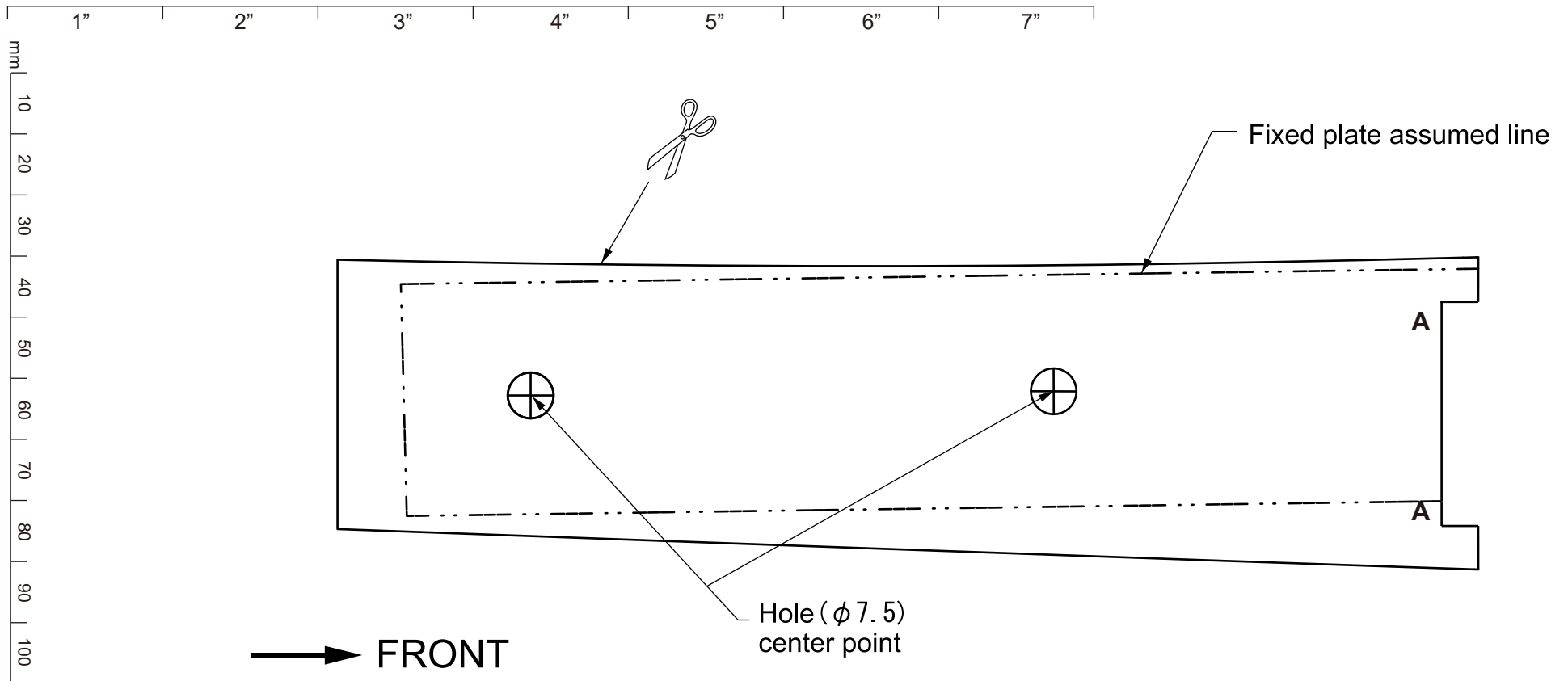
# TRASH BIN hole punching template No.⑦-1

Part Name : TRASH BIN

Part number : J2010Y0000

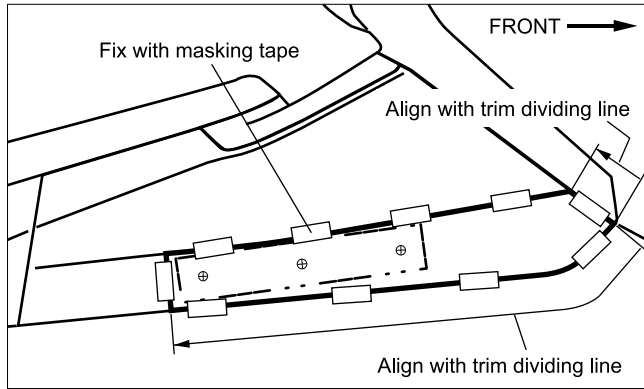
Vehicle Models : CROSSTREK (GU) 2026MY~LHD  
IMPREZA (GU) 2026MY~LHD

Please make sure the template is to scale (100%).



# TRASH BIN hole punching template No. ⑦-2

How to match the pattern



※Please remove the trim before drilling because there is a harness inside the console.  
Please refer to page 4 of the installation manual for how to remove the trim.

Please make sure the template is to scale (100%).

