

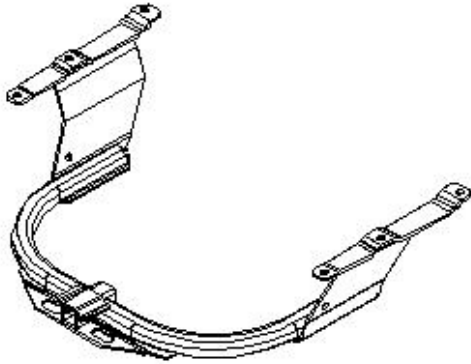
SUBARU.

PART NUMBER: L101SAG100

**INSTALLATION
INSTRUCTIONS**

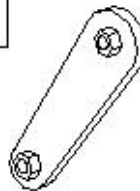
DESCRIPTION: 2006 OUTBACK HITCH

A KIT CONTENTS:



X1

B



X2

C



X1

D



X1

E



X1

F



X4

G



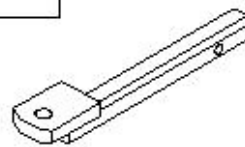
X2

H



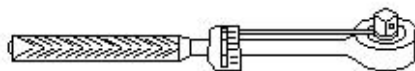
X10

I

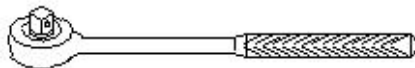


X1

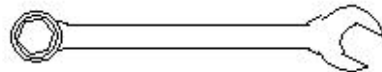
TOOLS REQUIRED:



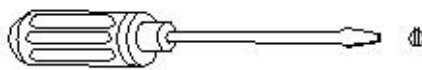
1/2" DRIVE TORQUE WRENCH



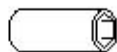
1/2" DRIVE RATCHET



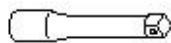
14 mm BOX END WRENCH



STRAIGHT SHANK SCREWDRIVER



14 mm DEEP WELL SOCKET



6" SOCKET EXTENSION

PART NUMBER
L101SAG100


ISSUE
01


DATE
03/15/05

SUBARU OF AMERICA

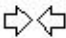
PAGE
1/6


Meaning of Characters

Remove: 


Install: 


Disconnect: 


Connect: 

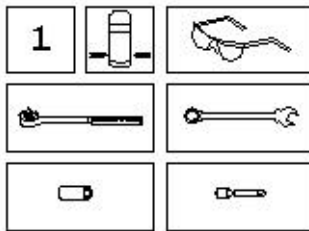
Location of Clip or Screw: 

Tightening Torque: T

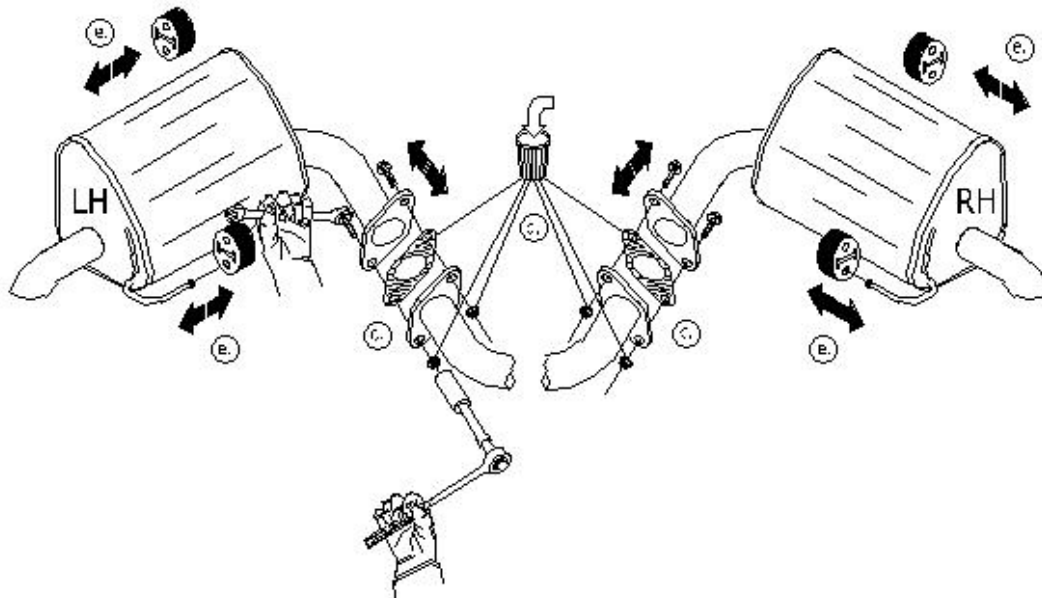
Loosen: 

Discard: 

Reuse: 

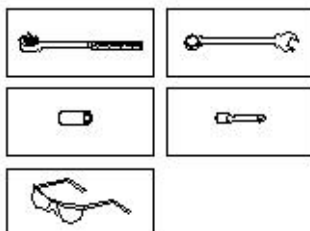


MUFFLER(S) REMOVAL

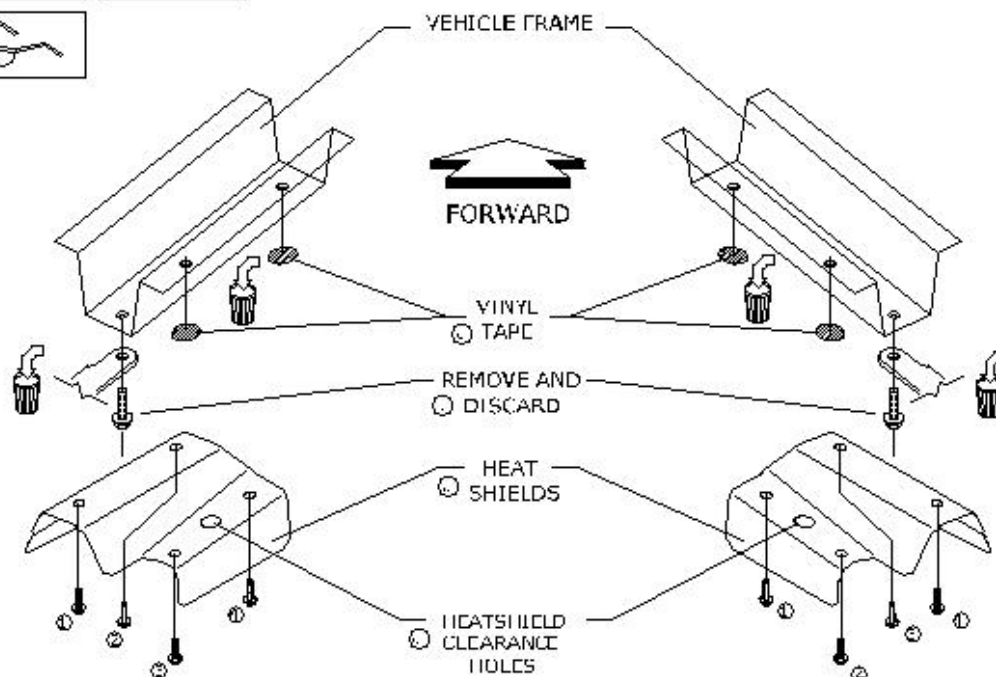


- a. WEAR SAFETY GLASSES.
- b. JACK VEHICLE UP AND SECURE WITH JACK STANDS.
- c. UNBOLT MUFFLERS FROM EXHAUST PIPES (4 LOCATIONS) WITH 14mm OPEN END WRENCH AND SOCKET.
- d. DISCARD THE (2) EXHAUST GASKETS AND (4) LOCK NUTS.
- e. REMOVE MUFFLERS BY FIRST DISENGAGING THE REARMOST EXHAUST HANGER, THEN DISENGAGING THE FORWARDMOST EXHAUST HANGER.
- f. PUT MUFFLERS AND HARDWARE ASIDE FOR LATER REINSTALLATION.

2



HEATSHIELD(S) REMOVAL AND REINSTALLATION

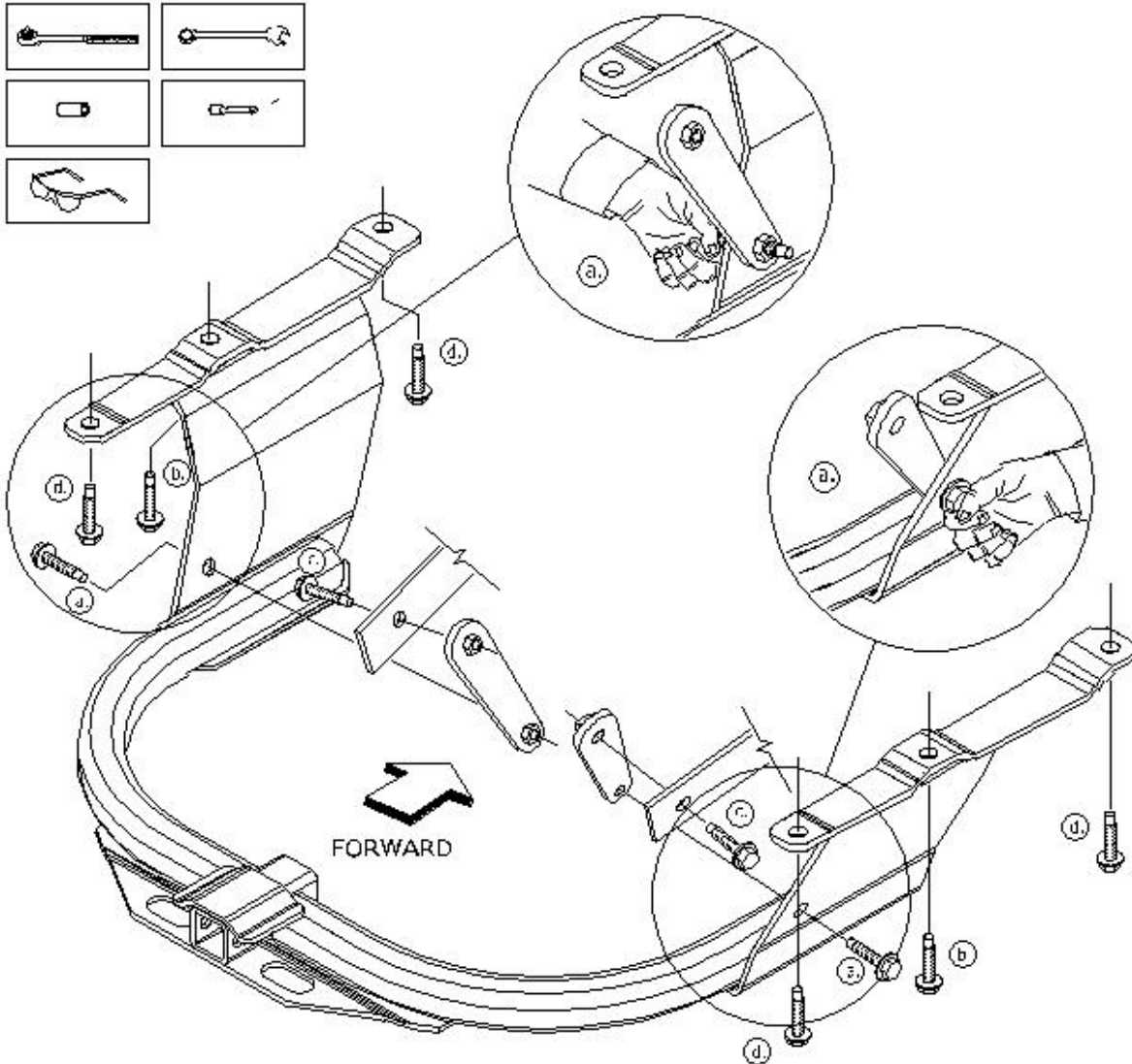


- a. REMOVE THE (4) M10 BOLTS FROM EACH HEATSHIELD. PLACE THE (2) SHIELDS AND HARDWARE ASIDE FOR LATER REINSTALLATION.
- b. REMOVE AND DISCARD THE (2) M14 BOLTS LOCATED IN THE (2) REARMOST HITCH BOLT HOLES.
- c. REMOVE AND DISCARD THE CIRCULAR VINYL TAPE TO EXPOSE THE MIDDLE AND FOREWARD MOST HITCHBOLT HOLES.
- d. REINSTALL THE (2) HEATSHIELDS.
NOTE: VERIFY THAT MIDDLE HITCH HOLES ARE VISIBLE THROUGH THE CLEARANCE HOLES IN THE HEATSHIELDS.

3



RECEIVER HITCH INSTALLATION



- a. LOOSELY ATTACH THE (2) LINKS TO THE HITCH AS SHOWN.
- b. LIFT HITCH INTO PLACE AND LOOSELY INSTALL THE (2) MIDDLE HITCH BOLTS ON BOTH SIDES OF THE HITCH.
- c. LOOSELY INSTALL THE (2) UPPER LINK BOLTS.
- d. LOOSELY INSTALL REMAINING (4) HITCH BOLTS.

PART NUMBER
L101SAG100

ISSUE
01

DATE
03/15/05

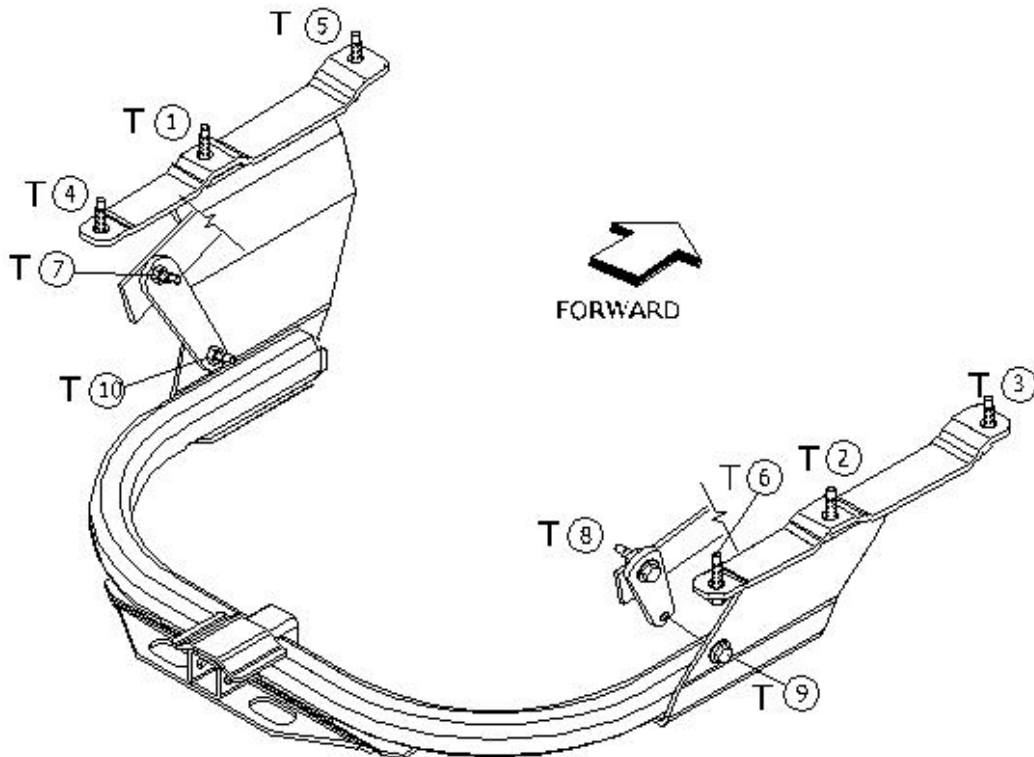
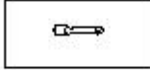
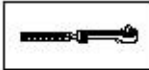
SUBARU OF AMERICA

PAGE
4/6

4



TORQUE SPECIFICATIONS



TORQUE ALL (10) HITCH BOLTS TO 69 +/- 2-ft-lbs.

NOTE: BOLTS MUST BE TIGHTENED IN SEQUENCE SHOWN ABOVE.

PART NUMBER
L101SAG100

ISSUE
01

DATE
03/15/05

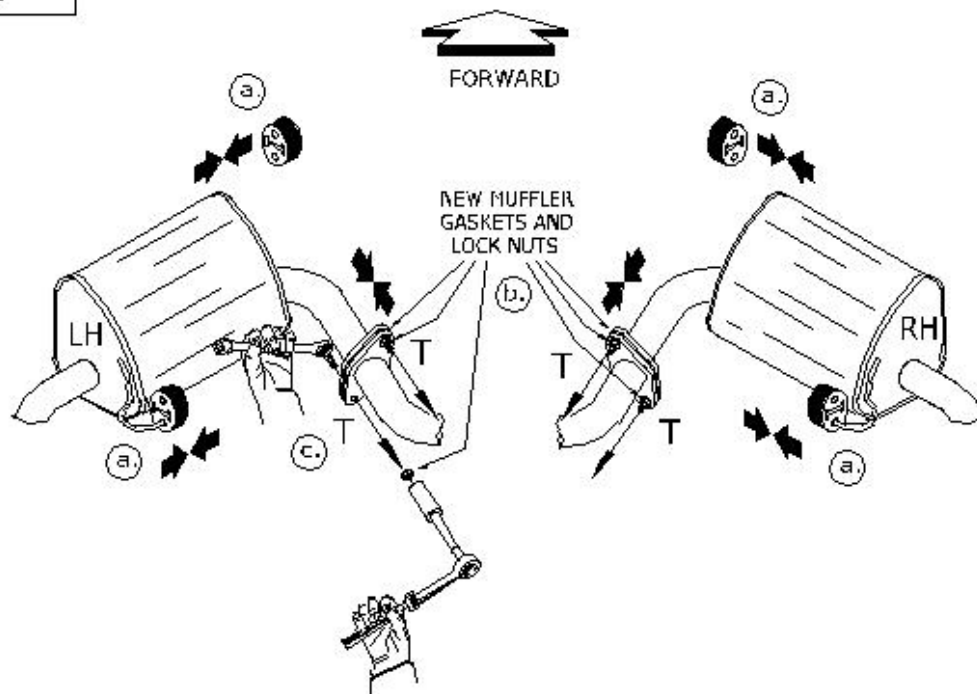
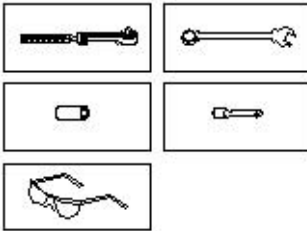
SUBARU OF AMERICA

PAGE
5/6

5



MUFFLER REINSTALLATION



- a. REINSTALL MUFFLERS ONTO THEIR RESPECTIVE HANGER BRACKETS.
- b. LOCATE REPLACEMENT MUFFLER FLANGE GASKETS AND MUFFLER LOCK NUTS (IN BOLT BAG) AND INSTALL IN PLACE OF DISCARDED GASKETS AND DISCARDED MUFFLER LOCK NUTS.

NOTE: MAKE SURE GASKET SURFACES ARE FREE OF ANY DEBRIS REMAINING FROM THE OLD GASKETS.

- c. NOTE PROPER ORIENTATION OF BOLTS AND NUTS RELATIVE TO GROUND.
- d. TORQUE THE (4) MUFFLER BOLTS TO 35 +/-3 ft-lbs.

