



SUBARU

INSTALLATION INSTRUCTIONS

PART NUMBER: L101SAN000

DESCRIPTION: 2020 OUTBACK
TRAILER HITCH PANEL

NOTE: This panel is only for use with trailer hitch part number L101SAN000 on the Outback Wilderness Trim vehicle. Do not use with any other trim of the Subaru Outback.

PLEASE READ THESE INSTRUCTIONS CAREFULLY BEFORE YOU START

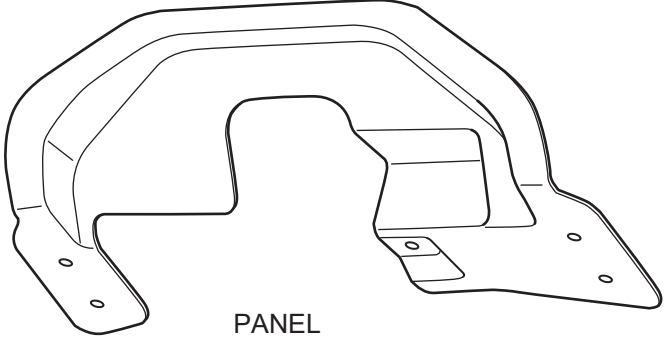
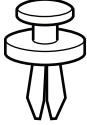
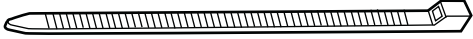
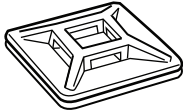
SAFETY PRECAUTION: When installing Trailer Hitch Panel, the use of safety glasses is recommended.

WARNING:

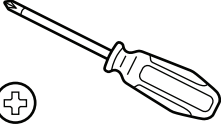
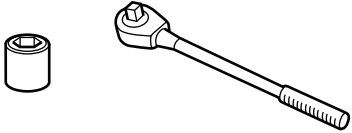
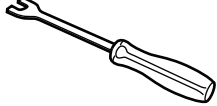
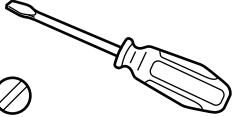

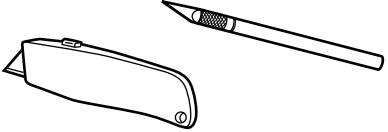
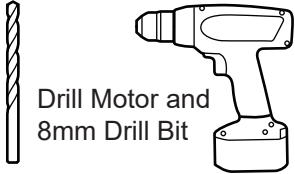
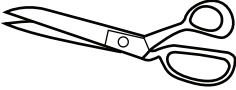
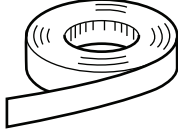
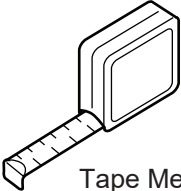
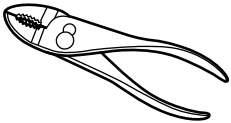
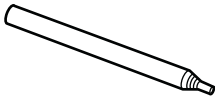


1. Always install the accessory following the instructions. Failure to do so may cause damage to the vehicle or the accessory.
2. Please also refer to SUBARU SERVICE MANUAL upon removing and re-assembling vehicle components.
3. Do not drill, cut or otherwise modify the Trailer Hitch Panel.
4. Do not lubricate the bolts and nuts with oil or grease.
5. When towing, total vehicle weight must not exceed the Gross Vehicle Weight Rating (GVWR). Also the load distribution on each axle must not exceed the Gross Axle Weight Rating (GAWR). The GVWR and GAWR for your vehicle can be found on the "Certification label" which is located on the left side center pillar of the vehicle.
6. For models equipped with RAB, refer to the part which indicated [RAB].
7. Ensure all recyclable discarded vehicle accessory components and packaging are recycled following local recycling regulations.
8. It is always recommended that this accessory is fitted by a qualified SUBARU technician.
9. In the engine bay, disconnect the negative battery terminal.
10. Safely store and protect any removed vehicle components.
11. Ensure all bare metal surfaces are protected using Automotive Bare Metal Primer and touch-up paint.
12. Remove all metal swarf and dust from all vehicle surfaces if surface is used for accessory installation.
13. For further information, read vehicle's owner manual or consult your dealer or dealer's service department.
14. Subaru accepts no liability for product defects caused by the vehicle owner or other persons and/or incorrect use.

Warranty is granted only when installation is done correctly by your SUBARU dealer. SUBARU reserves the right to change the design of accessories and/or construction, illustration, and text of this manual at anytime without prior notice.

KIT CONTENTS:

<p>A</p>  <p>PANEL</p> <p>1X</p>	<p>B</p>  <p>PUSH PIN FASTENER</p> <p>4X</p>
<p>C</p>  <p>CABLE TIE</p> <p>1X</p>	<p>D</p>  <p>CABLE TIE MOUNTING BASE</p> <p>1X</p>

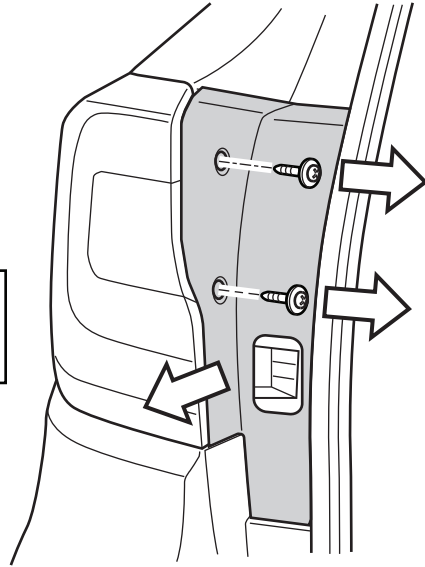
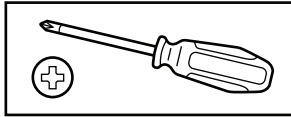
TOOLS REQUIRED:

 <p>Phillips Head Screwdriver</p>	 <p>10mm Socket and Ratchet</p>	 <p>Pry Tool</p>	
 <p>Flat Head Screwdriver</p>	 <p>Body Trim Stick</p>	 <p>Utility Knife</p>	
 <p>Drill Motor and 8mm Drill Bit</p>	 <p>Scissors</p>	 <p>Tape</p>	 <p>Tape Measure</p>
 <p>Pliers</p>	 <p>Marker</p>	 <p>Alcohol</p>	 <p>Clean Cloth</p>

1) TAIL LIGHT REMOVAL

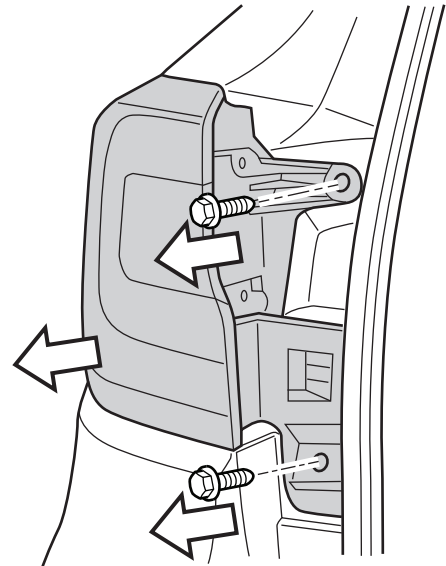
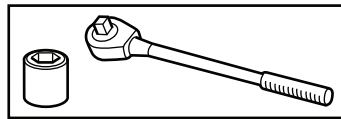
- a) Use a Phillips head screwdriver to remove two (2) screws and the tail light covers on both sides.

NOTE: Save fasteners for later reassembly.

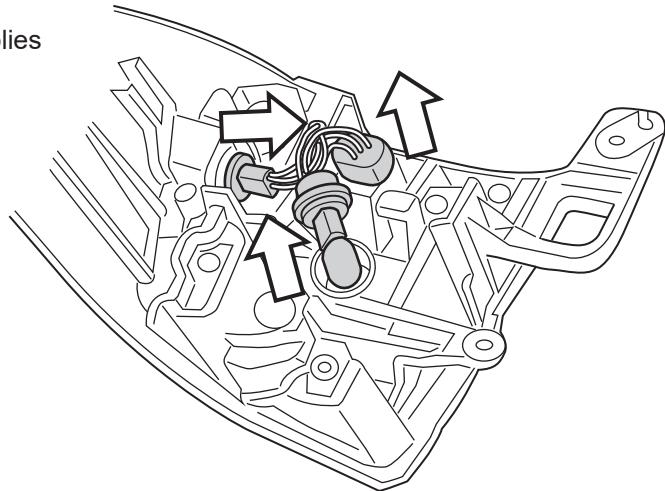


- b) Use a 10mm socket and wrench to remove two (2) bolts and pull the tail light assembly straight back to remove on both sides.

NOTE: Save fasteners for later reassembly.

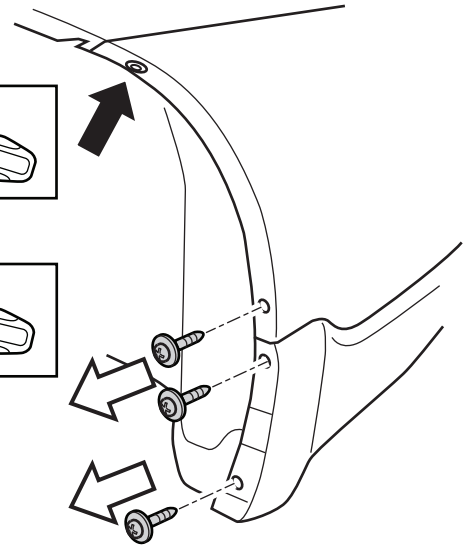
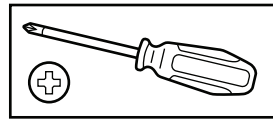
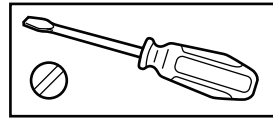


- c) Carefully remove the three (3) bulb assemblies from the sockets and set tail lamps aside.

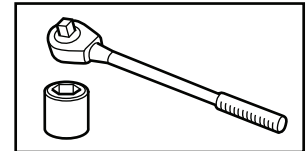
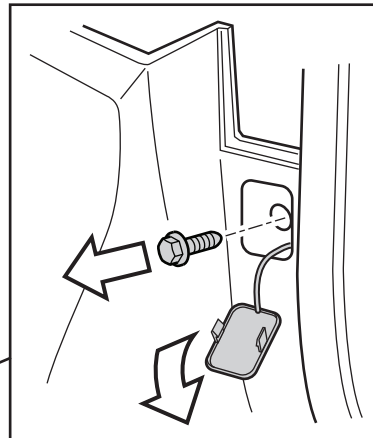


2) REAR BUMPER FASCIA REMOVAL

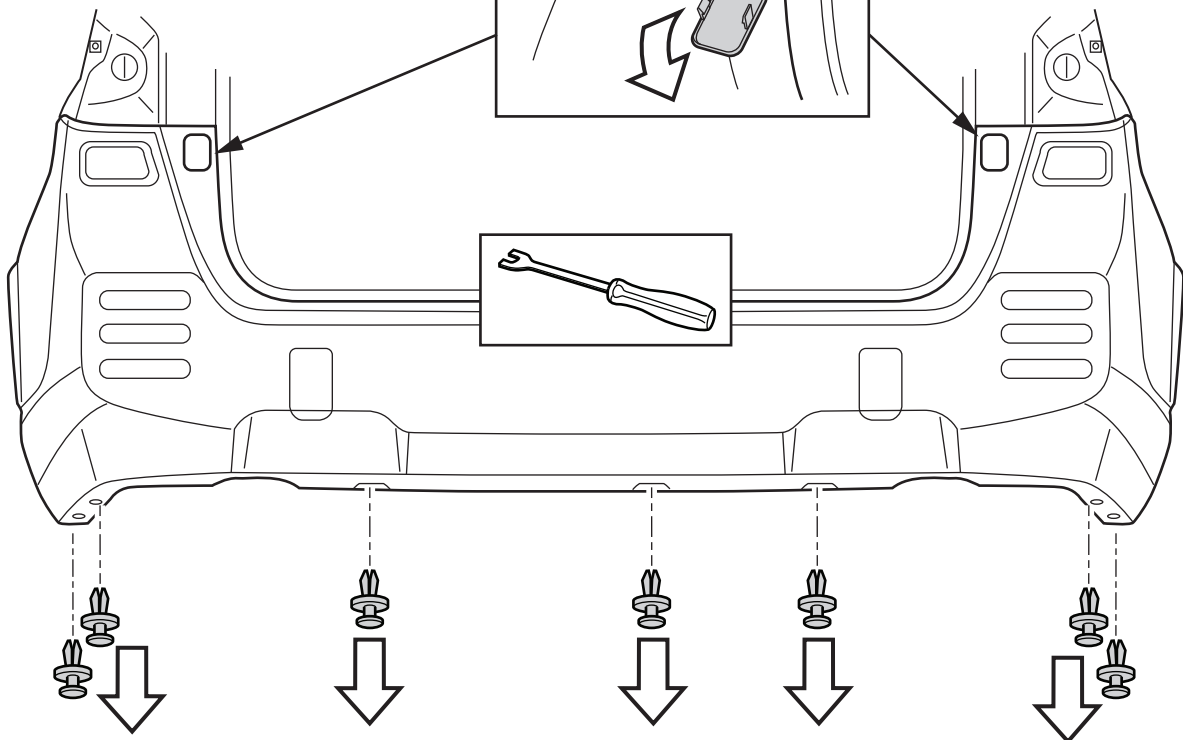
- a) Release the push button fastener on the upper edge of the wheel well. Use a small screwdriver to push in the center of the pin. Remove Phillips head screws at lower edge of wheel well. Repeat on opposite side of fascia. NOTE: Save fasteners for later reassembly.



- b) Use a pry tool to remove the cover panel at the top inside edge of the fascia. Use a 10mm socket and wrench to remove the bolt behind the panel. Repeat on opposite side of fascia.

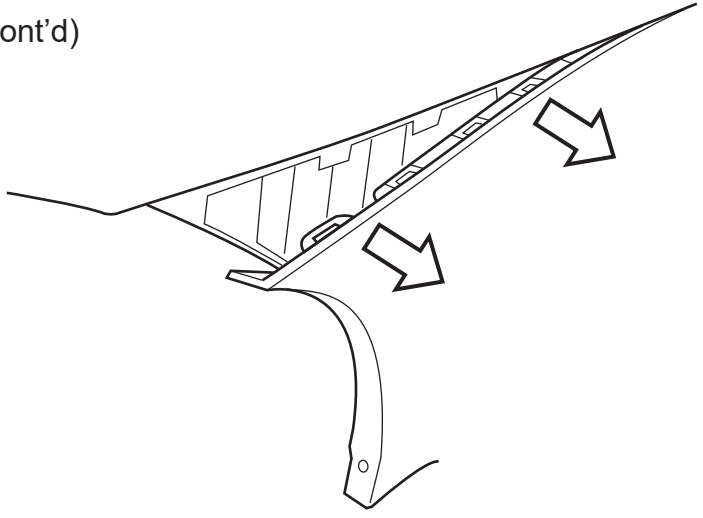


- c) Use a pry tool or screwdriver to remove all push pin fasteners along the underside of the fascia.



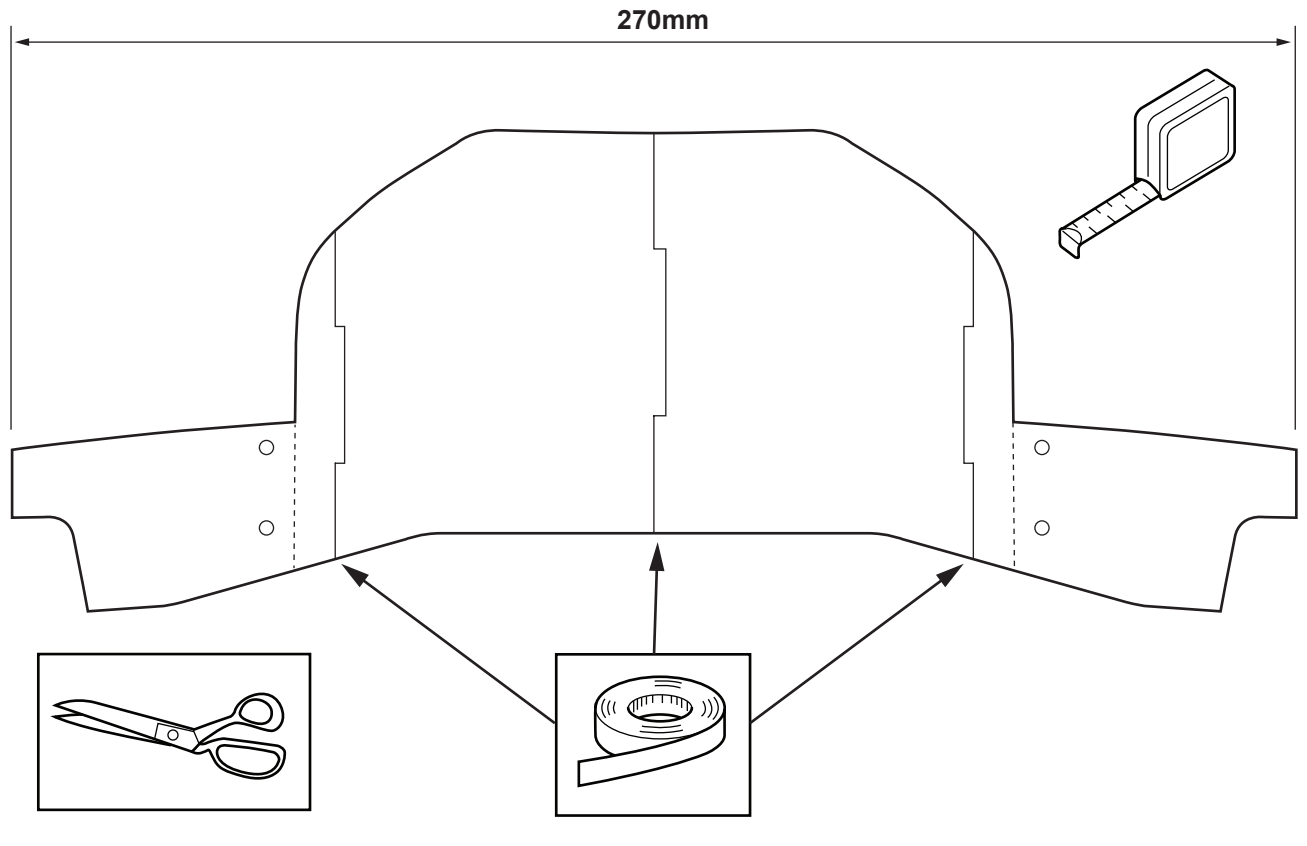
2) REAR BUMPER FASCIA REMOVAL (cont'd)

- d) Using both hands, carefully pull out on the top edge of the fascia behind the wheel well to release the body clips on both sides.
- e) Disconnect any electrical connectors from inner surface of fascia.
- f) Fully remove the rear fascia and place it on a clean work surface.



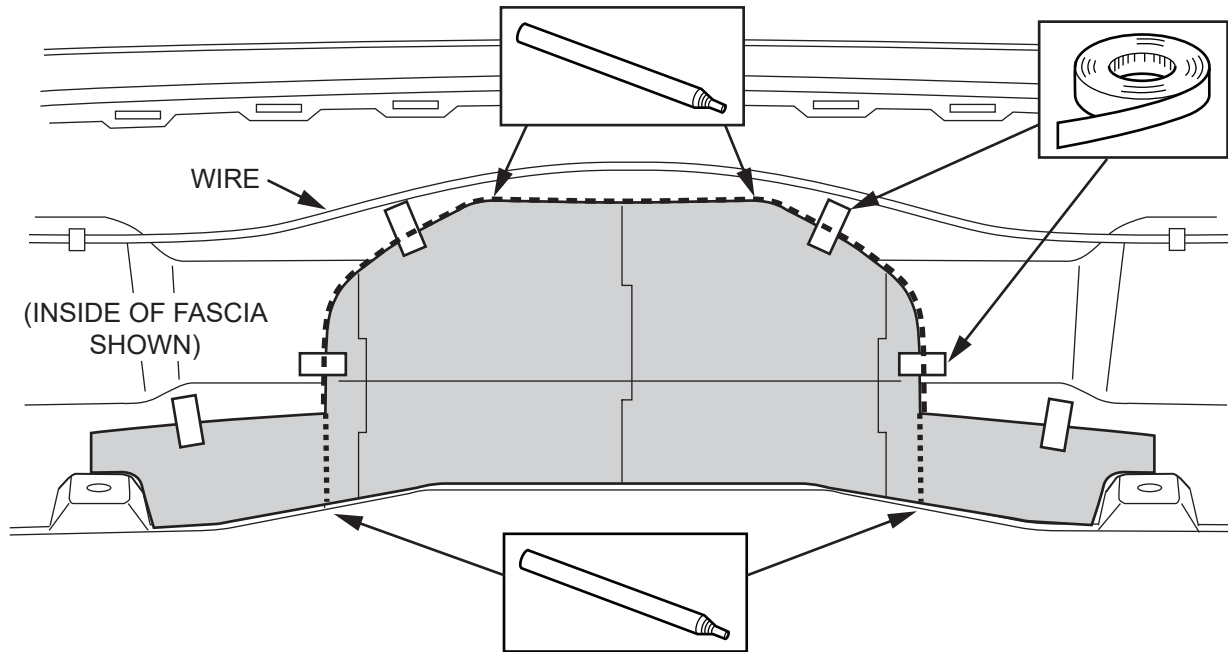
3) PREPARE TEMPLATE

- a) Detach the last four (4) pages of this document, verify that the sizing is at proper 100% scale and trim out the template sections as indicated. Tape the four (4) sections together to assemble the complete template and measure overall dimensions again to verify accuracy.



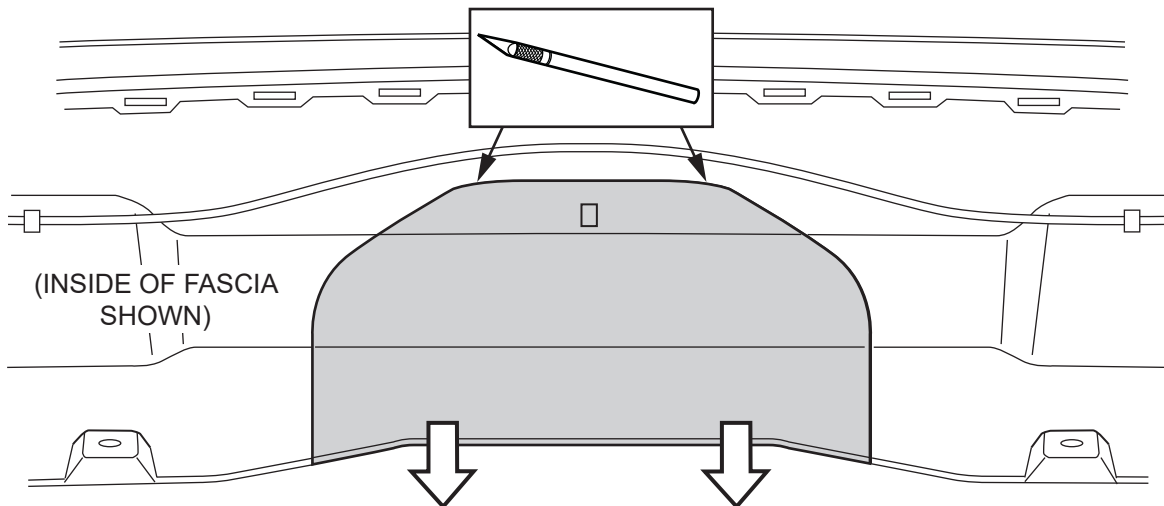
4) POSITION AND MARK TEMPLATE

- a) Unclip the wire from the inside of the fascia and move it away from the cut area.
- b) Place the template on the inside surface of the rear fascia, align it as shown and secure with tape. Carefully mark the edge of the template noting that the cut will travel straight back along the dotted lines at the bottom surface of the fascia.



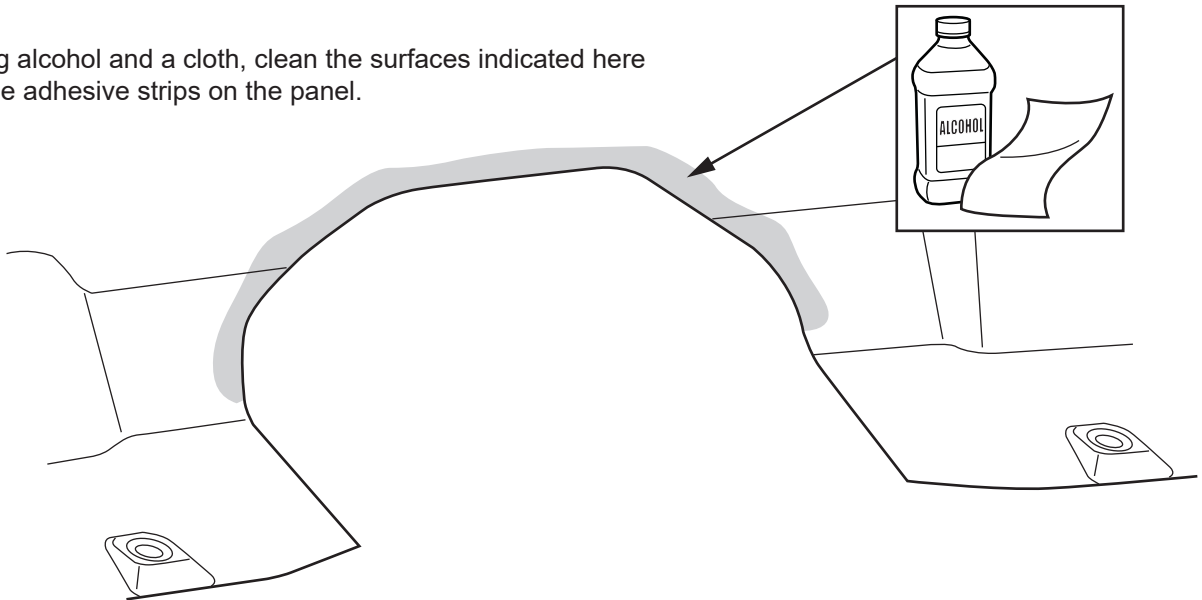
5) CUT FASCIA

- a) Remove the template. Using a utility knife, carefully follow the marked line to cut away the center section of the fascia.



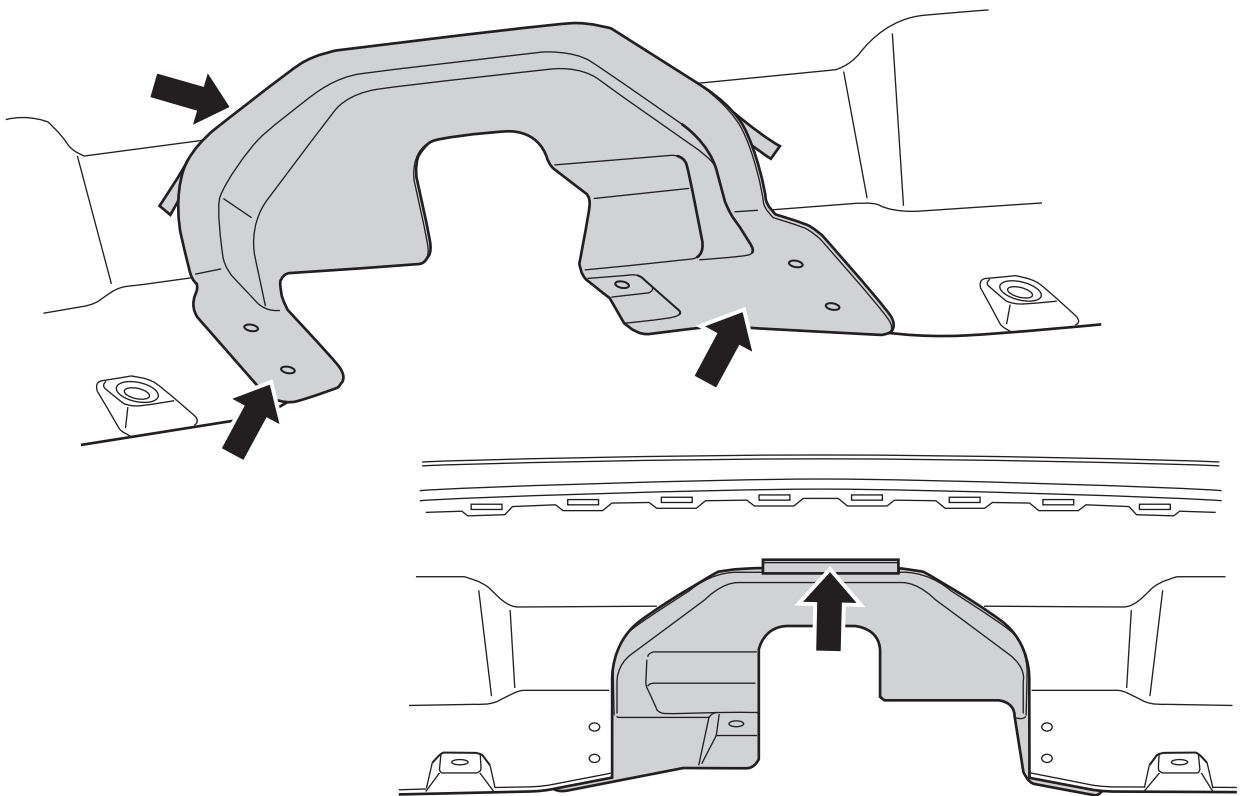
6) PREPARE FASCIA SURFACE

- a) Using alcohol and a cloth, clean the surfaces indicated here for the adhesive strips on the panel.



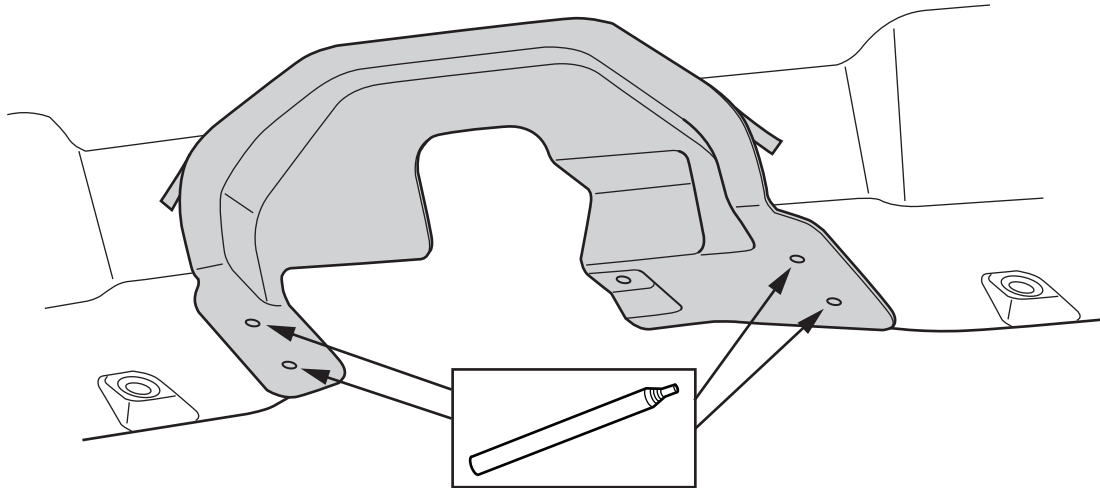
7) MOUNT PANEL

- a) Place the new hitch panel into the fascia opening. Check for fit along edges. Be sure the top inside edge of the panel clips into the edge of the fascia.

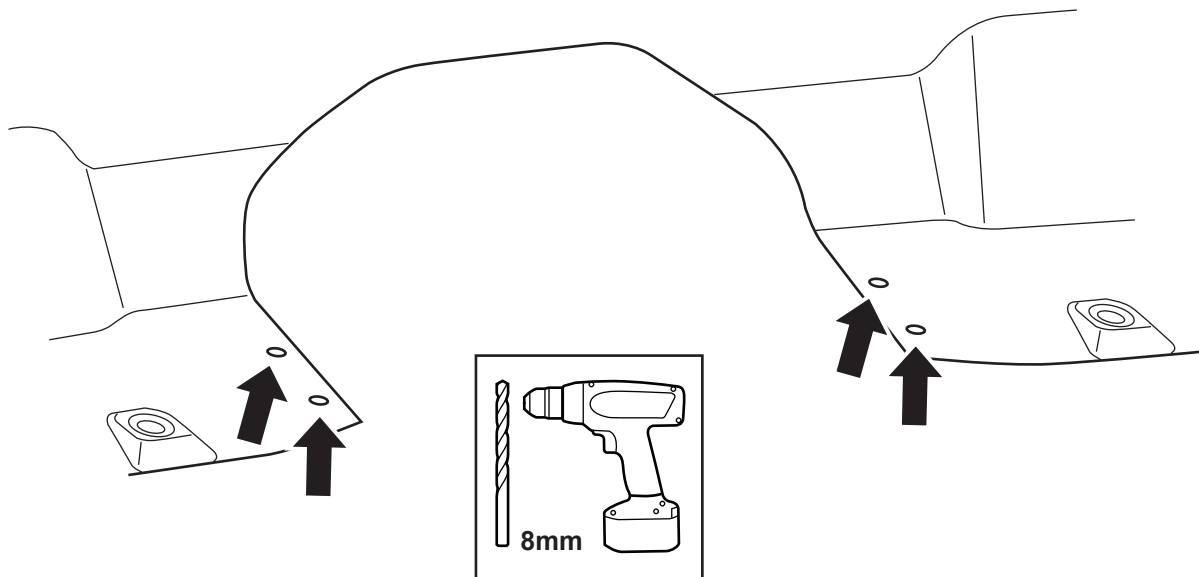


7) MOUNT PANEL (cont'd)

b) Using the panel as a guide, mark the four (4) holes to be drilled for the push pin fasteners.

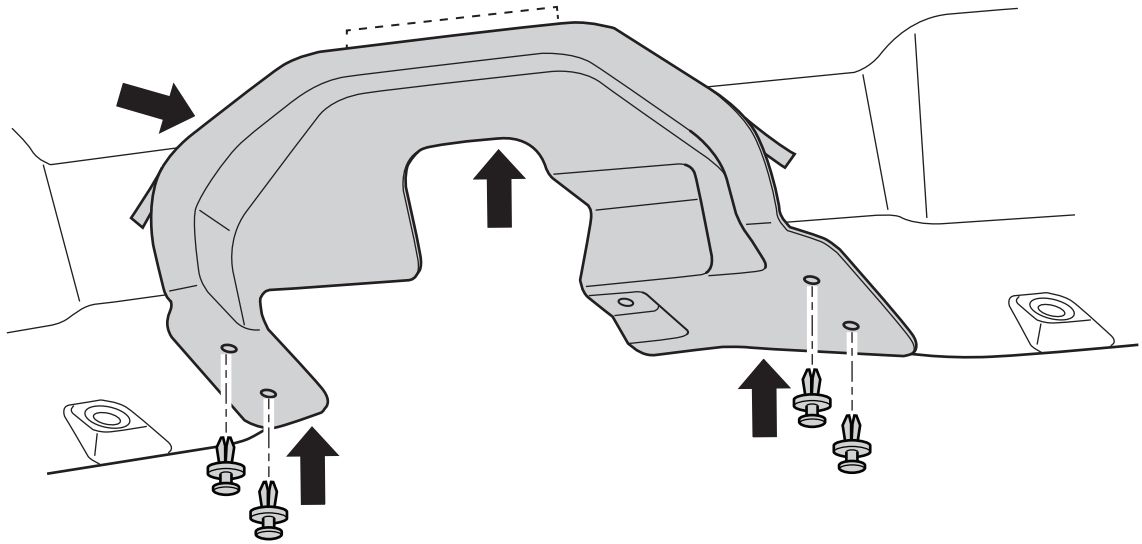


c) Remove the panel and drill four (4) holes using an 8mm drill bit.

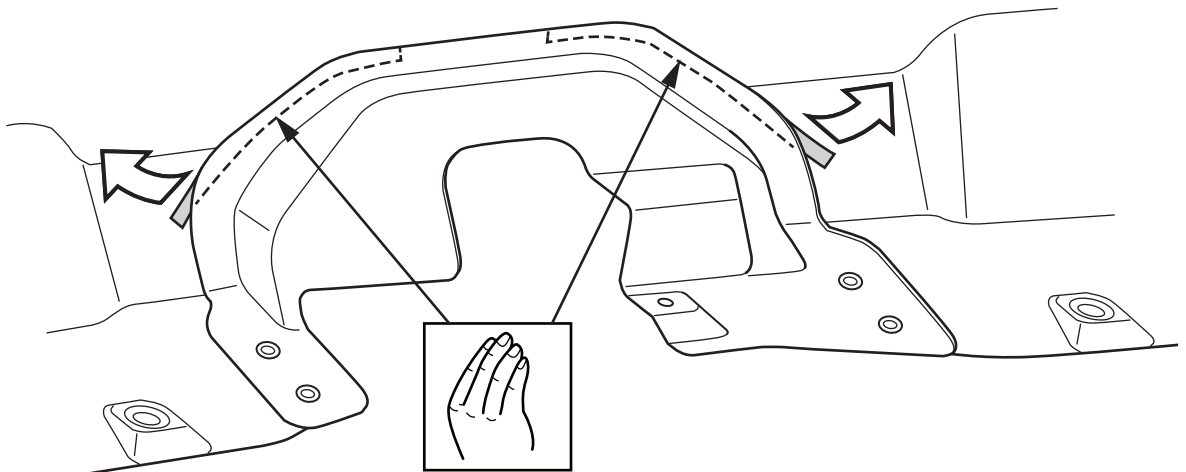


7) MOUNT PANEL (cont'd)

- d) Re-insert the new hitch panel into the fascia opening. Check for fit along edges and alignment of holes underneath. Be sure the top inside edge of the panel clips into the edge of the fascia. Secure the panel by installing four (4) push pin fasteners into the bottom holes.

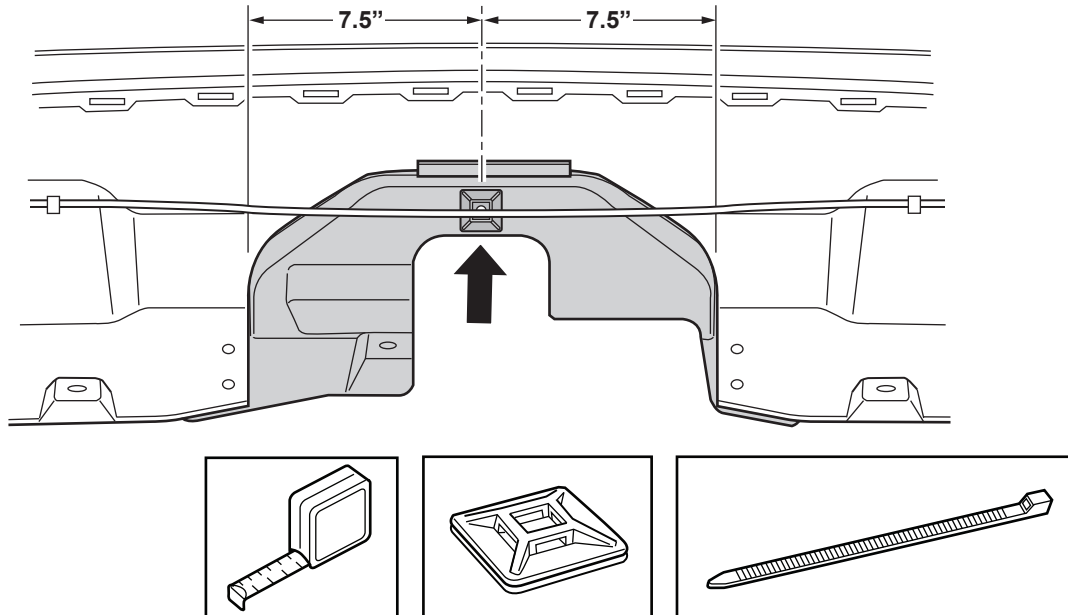


- e) Remove the adhesive backing strips and apply 15 lbs of pressure along the edge of the panel for 10 seconds to ensure proper adhesion.



7) MOUNT PANEL (cont'd)

f) Measure the inside of the panel to determine center. Peel off the adhesive backing and apply the cable tie mounting base to the inside of the panel as shown. Use the cable tie to secure the wire harness to the cable tie mounting base.

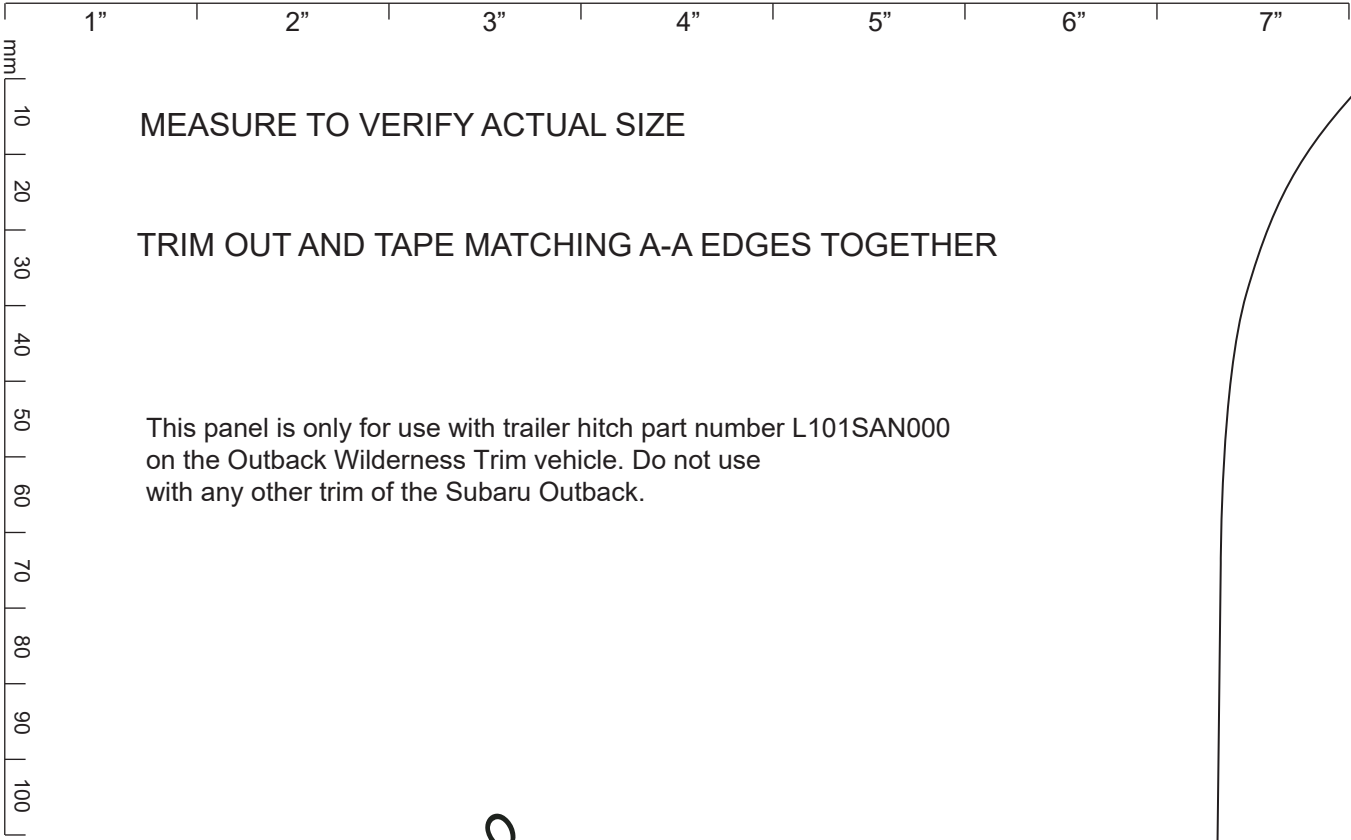


8) REINSTALL REAR FASCIA

a) At the center rear of the vehicle, modify the metal bracket by measuring .75" and using pliers to carefully bend it upward as shown.



b) Reverse procedures in Step 2) REAR BUMPER FASCIA REMOVAL and Step 1) TAIL LIGHT REMOVAL to reinstall all the vehicle components.



MEASURE TO VERIFY ACTUAL SIZE

TRIM OUT AND TAPE MATCHING A-A EDGES TOGETHER

This panel is only for use with trailer hitch part number L101SAN000 on the Outback Wilderness Trim vehicle. Do not use with any other trim of the Subaru Outback.

A

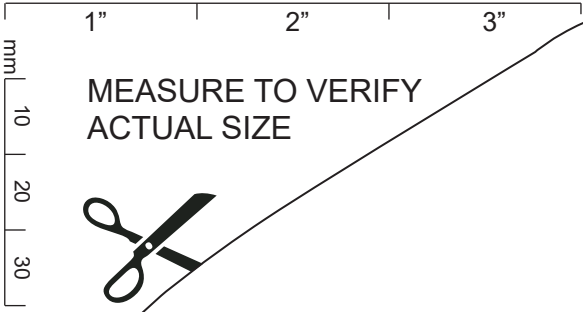
A



TAPE TO INSIDE SURFACE OF FASCIA
MEASURE TO GUARANTEE SCALE IS CORRECT



PART NUMBER L101SAN610	ISSUE 1	DATE 3/26/2021	SUBARU OF AMERICA	PAGE 11 OF 14
---------------------------	------------	-------------------	-------------------	------------------



MEASURE TO VERIFY
ACTUAL SIZE

TRIM OUT AND TAPE MATCHING A-A AND B-B EDGES TOGETHER

This panel is only for use with trailer hitch part number L101SAN000
on the Outback Wilderness Trim vehicle. Do not use
with any other trim of the Subaru Outback.

A

B

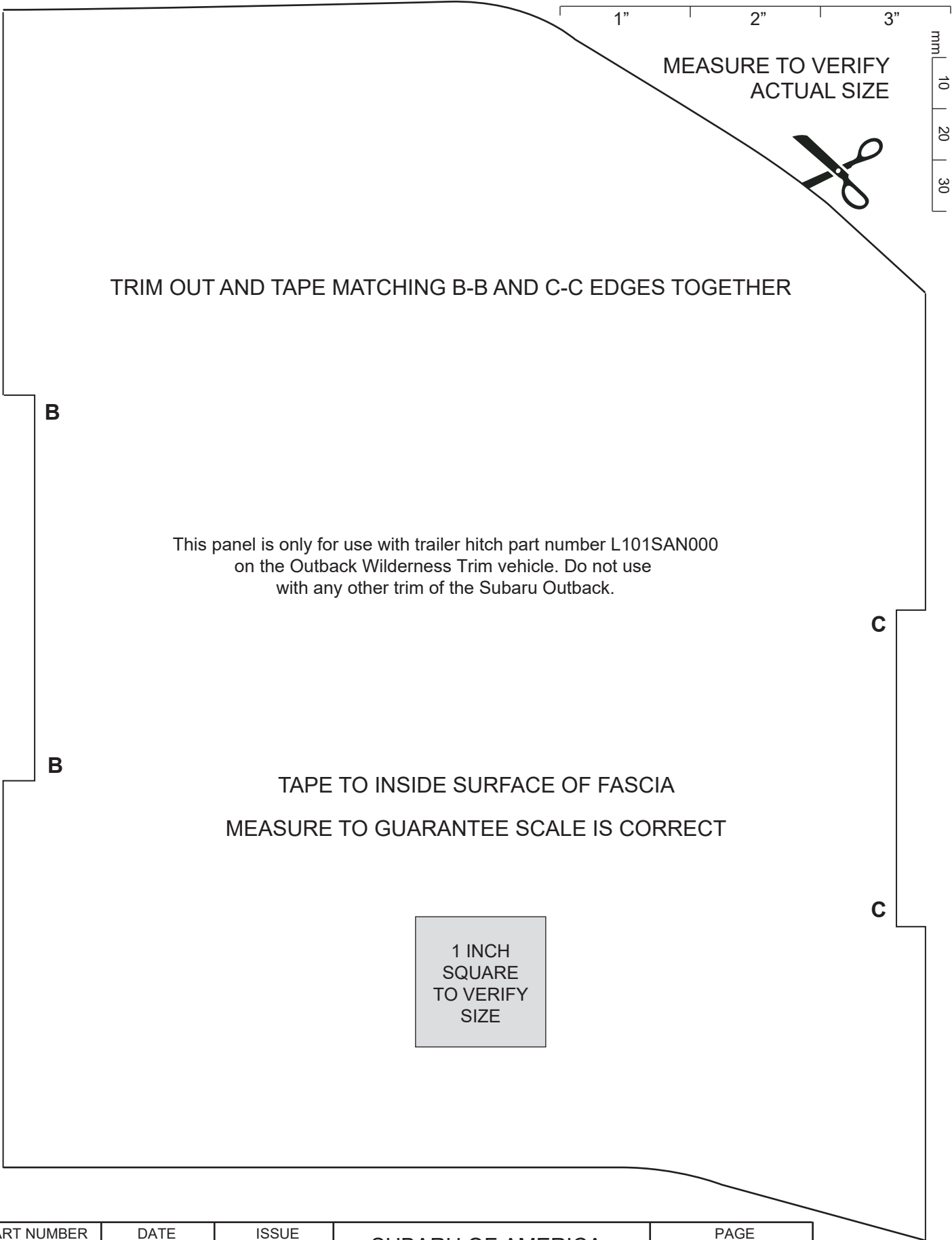
TAPE TO INSIDE SURFACE OF FASCIA
MEASURE TO GUARANTEE SCALE IS CORRECT

B

A



PART NUMBER L101SAN610	DATE 3/26/2021	ISSUE 1	SUBARU OF AMERICA	PAGE 12 OF 14
---------------------------	-------------------	------------	-------------------	------------------



MEASURE TO VERIFY
ACTUAL SIZE

TRIM OUT AND TAPE MATCHING B-B AND C-C EDGES TOGETHER

This panel is only for use with trailer hitch part number L101SAN000
on the Outback Wilderness Trim vehicle. Do not use
with any other trim of the Subaru Outback.

TAPE TO INSIDE SURFACE OF FASCIA
MEASURE TO GUARANTEE SCALE IS CORRECT

1 INCH
SQUARE
TO VERIFY
SIZE

PART NUMBER	DATE	ISSUE	SUBARU OF AMERICA	PAGE	
L101SAN610	3/26/2021	1		13	OF 14

1" 2" 3" 4" 5" 6" 7"

mm 10 20 30 40 50 60 70 80 90 100

MEASURE TO VERIFY ACTUAL SIZE

TRIM OUT AND TAPE MATCHING C-C EDGES TOGETHER

This panel is only for use with trailer hitch part number L101SAN000 on the Outback Wilderness Trim vehicle. Do not use with any other trim of the Subaru Outback.

C

C



TAPE TO INSIDE SURFACE OF FASCIA
MEASURE TO GUARANTEE SCALE IS CORRECT

1 INCH
SQUARE
TO VERIFY
SIZE



PART NUMBER L101SAN610	ISSUE 1	DATE 3/26/2021	SUBARU OF AMERICA	PAGE 14 OF 14
---------------------------	------------	-------------------	-------------------	------------------