



**SUBARU**

INSTALLATION INSTRUCTIONS

PART NUMBER: L101SSJ005

DESCRIPTION: FORESTER  
TRAILER HITCH

**PLEASE READ THESE INSTRUCTIONS CAREFULLY, BEFORE YOU START INSTALLATION**

SAFETY PRECAUTION: When installing Trailer Hitch, the use of safety glasses is recommended.

**WARNING:**

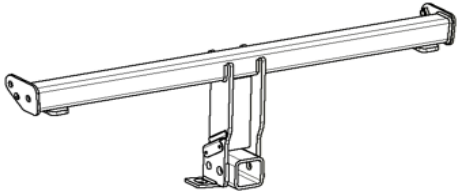
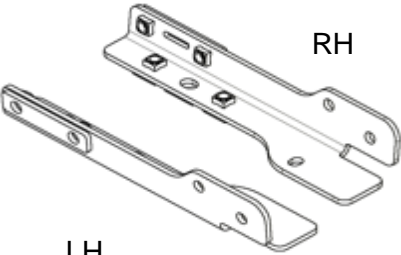

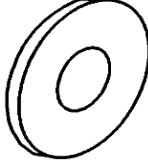
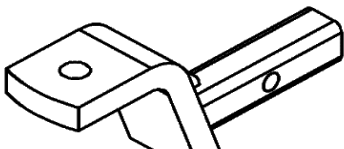

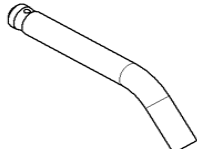
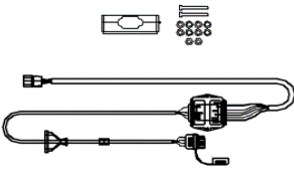

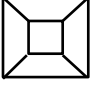


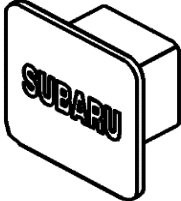

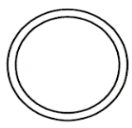
1. Always install the accessory following the instructions. Failure to do so may cause damage to the vehicle or the accessory.
2. Please also refer to SUBARU SERVICE MANUAL upon removing and re-assembling vehicle components.
3. Do not drill, cut, weld or otherwise modify the Trailer Hitch.
4. Do not lubricate the bolts and nuts with oil or grease.
5. If Trailer Hitch is removed, a bumper beam **MUST** be reinstalled. Failure to reinstall a bumper beam after removal of the trailer hitch will negatively affect vehicle rear crash performance. Please contact your SUBARU dealer.
6. When a Trailer Hitch is installed, it is not possible to install the rear towing hook.
7. Never exceed the maximum towing capacity and maximum tongue load. It could cause personal injury and/or vehicle damage.
8. When towing, total vehicle weight must not exceed the Gross Vehicle Weight Rating (GVWR). Also the load distribution on each axle must not exceed the Gross Axle Weight Rating (GAWR). The GVWR and GAWR for your vehicle can be found on the "Certification label" which is located on the left side center pillar of the vehicle.
9. For models equipped with RAB, refer to the part which indicated [RAB].
10. Ensure all recyclable discarded vehicle accessory components and packaging are recycled following local recycling regulations.
11. It is always recommended that this accessory is fitted by a qualified SUBARU technician.
12. In the engine bay, disconnect the negative battery terminal.
13. Safely store and protect any removed vehicle components.
14. Ensure all bare metal surfaces are protected using Automotive Bare Metal Primer and touch-up paint.
15. Remove all metal swarf and dust from all vehicle surfaces if surface is used for accessory installation.
16. Tow hitch to be used with Subaru ball mount L101SSJ205 & L101SSJ207. Ball mount is sold separately.

Warranty is granted only when installation is done correctly by your SUBARU dealer.

SUBARU reserves the right to change the design of accessories and/or construction, illustration, and text of this manual at anytime without prior notice.

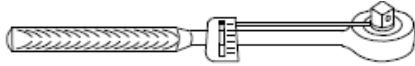
**Please put installation instruction in glove box once installation is complete.**

KIT CONTENTS:

<p>A</p>  <p>x1</p>	<p>B</p>  <p>RH LH</p> <p>x1 set</p>	<p>C</p>  <p>M12 hex flange bolt</p> <p>x14</p>	
<p>D</p>  <p>M12 flat washer</p> <p>x8</p>	<p>E</p>  <p>F</p>  <p>G</p>  <p>Items E, F, G are not included with hitch kit. Ball mount kit is sold separately as #L101SSJ205 &amp; L101SSJ207</p>		
<p>H</p>  <p>wiring harness</p> <p>x1</p>	<p>I</p>  <p>cable tie</p> <p>x3</p>	<p>J</p>  <p>cable tie mount</p> <p>x3</p>	
<p>K</p>  <p>foam tape</p> <p>x1</p>	<p>L</p>  <p>rubber trim</p> <p>x2</p>	<p>M</p>  <p>Subaru</p> <p>x1</p>	<p>N</p>  <p>exhaust nut</p> <p>x2</p>
<p>O</p>  <p>exhaust gasket</p> <p>x1</p>			

**TOOLS REQUIRED:**

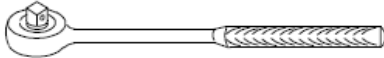
1/2" drive torque wrench



10 mm socket



1/2" drive ratchet



7mm socket



Flat head screwdriver



6" socket extension



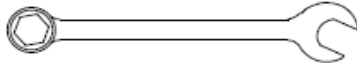
Phillips head screwdriver



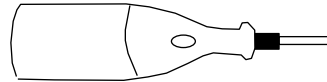
touch up paint



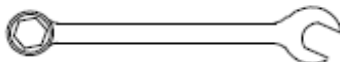
18mm open end wrench



cutting tool



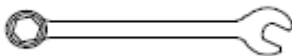
14mm open end wrench



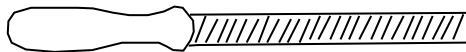
reamer



7mm open end wrench



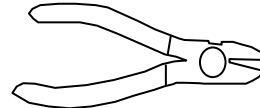
file



17mm deep well socket



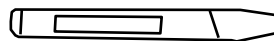
side cutter



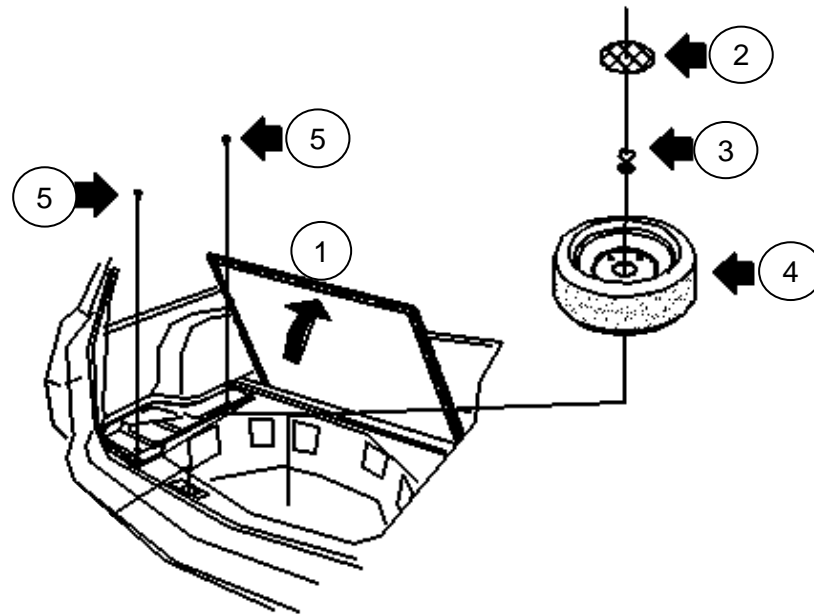
14mm deep well socket



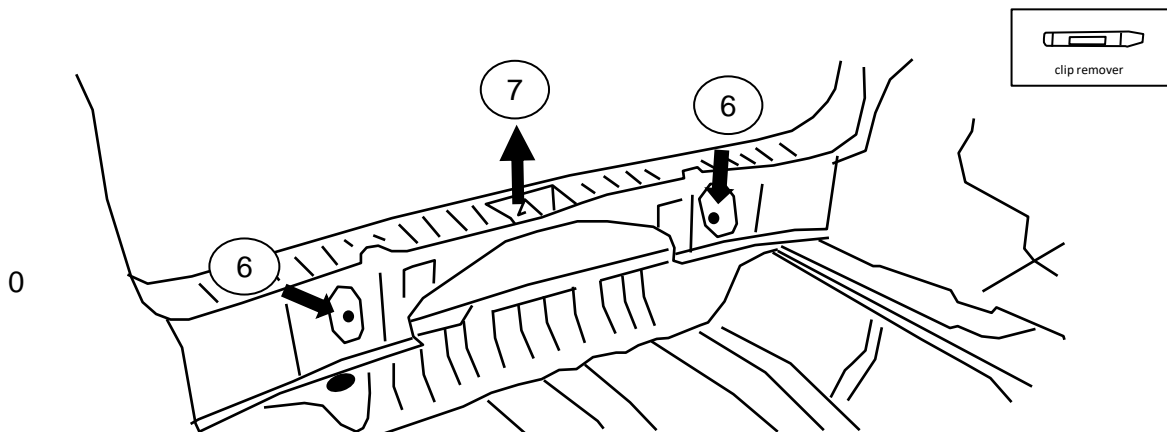
clip remover



1 ACCESS TRUNK WELL AND REMOVE SPARE TIRE

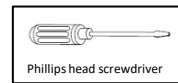
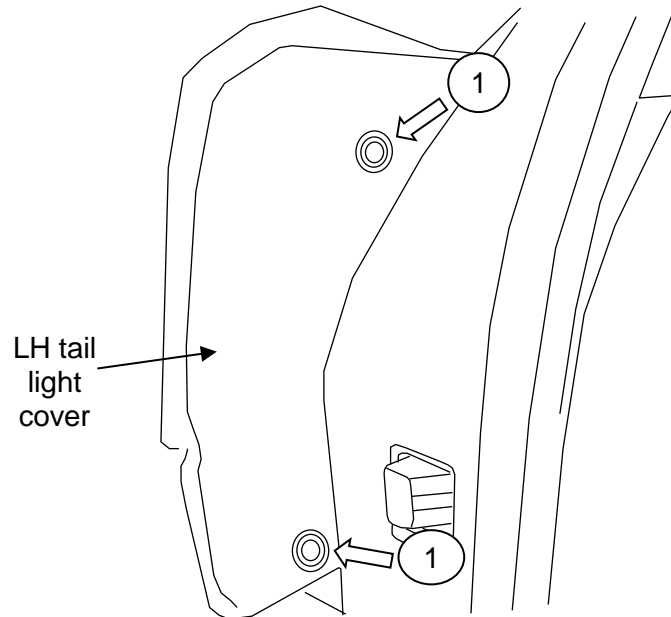


- ① Raise and remove the carpeted spare tire compartment cover.
- ② Remove tool tray
- ③ Unscrew and remove tire thumbscrew.
- ④ Remove spare tire.
- ⑤ Remove (4) push pin fasteners from side foam trays.
- ⑥ Remove (2) push pin fasteners to remove the rear inside trunk panel.
- ⑦ Remove rear tailgate trim.

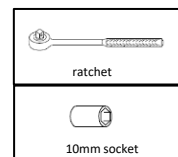
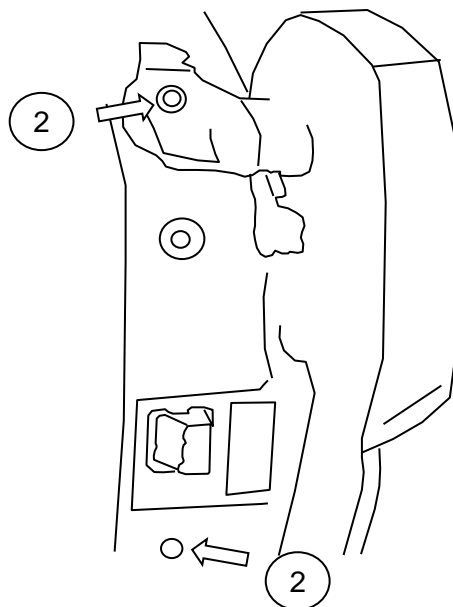


## 2 REMOVE REAR TAIL LIGHT COVERS

- 1 Using a small Phillips head screwdriver, remove (2) screws from the rear tail light cover assembly on each side

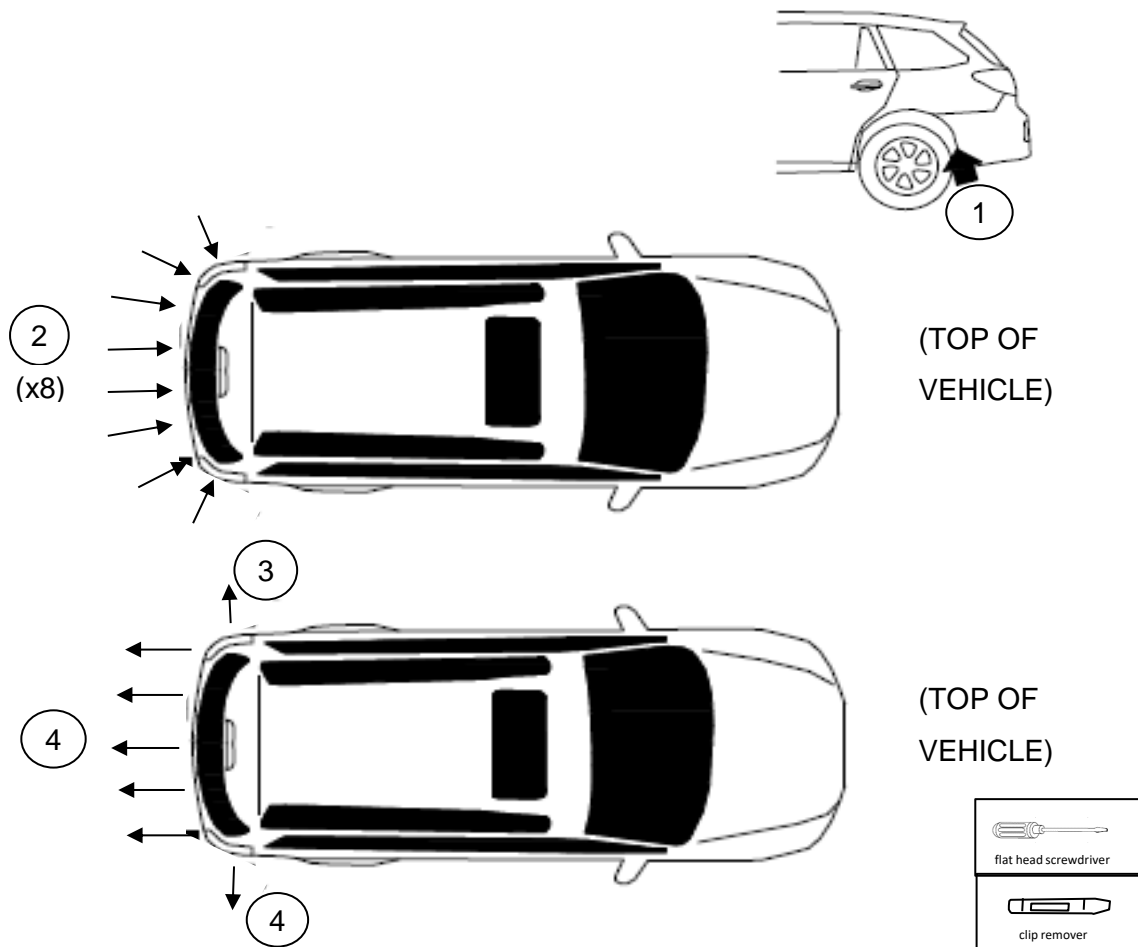


- 2 Using a ratchet with 10mm socket, remove the LH and RH tail light housing by removing 2 bolts on each side. Disconnect the connector when removing the housing.



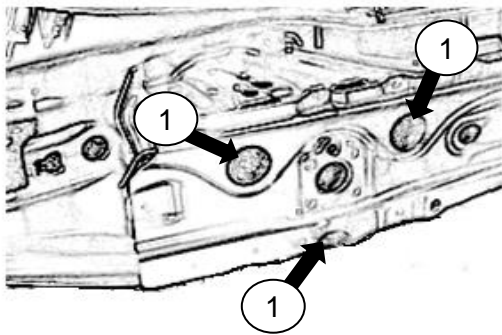
### 3 REMOVE REAR BUMPER FASCIA

- 1 With a screwdriver, release (1) small push pin fastener per side on the LH/RH fascia wheel well. Use the tip of the screwdriver to push the center of the pin.
- 2 With a small flat head screwdriver, remove (8) large push pin fasteners across the length of the bumper. Save push pins for later use.
- 3 Starting at the LH side wheel well, using both hands, pull one side of the fascia out from the vehicle.
- 4 Continue around the rear LH side. At the rear corner, begin to pull rearward and work across the vehicle from left to right to remove the entire bumper.
- 5 Disconnect the RAB sensor harness.
- 6 Fully release the bumper from the vehicle body.
- 7 Lay fascia aside where it will not be damaged during hitch installation.

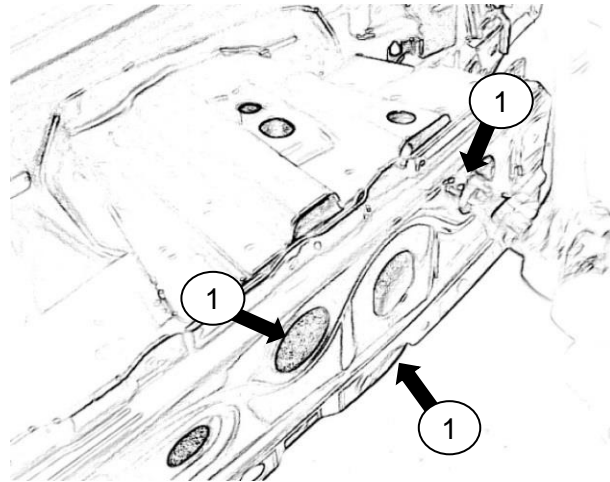


#### 4 REMOVE REAR BUMPER BEAM

- ① Using 14 mm deep socket, remove (2) bolts and (1) nut from each side of the bumper beam
- ② Discard (2) nuts and (4) bolts.
- ③ Remove the bumper beam and apply touch-up paint in the areas shown.

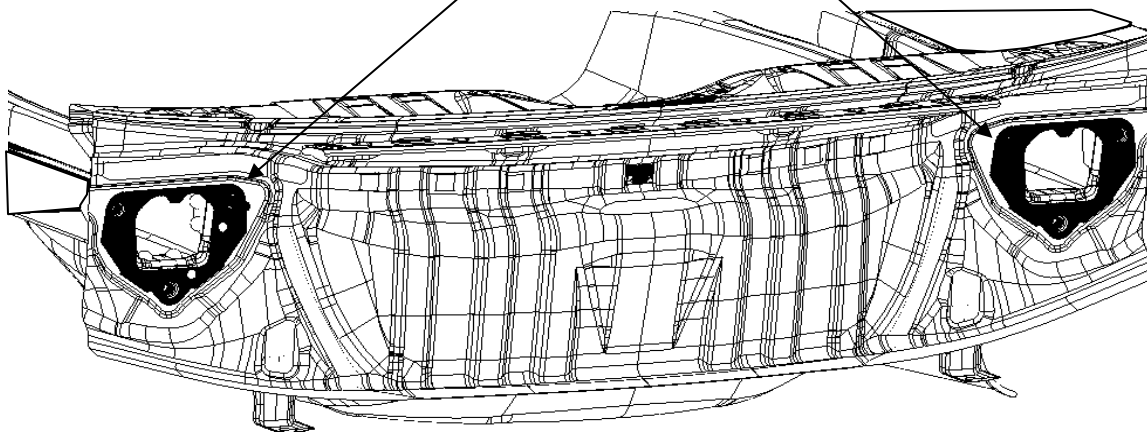
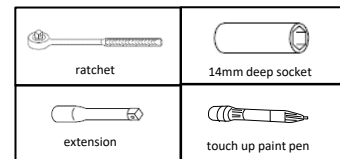


LH SIDE



RH SIDE

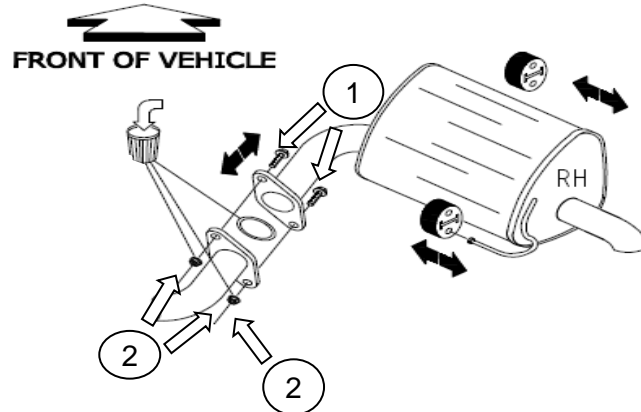
apply touch up paint in these areas



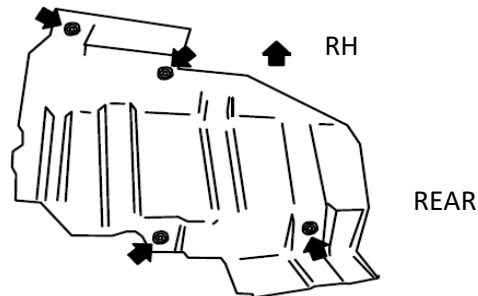
If Trailer Hitch is removed, a bumper beam **MUST** be reinstalled. Failure to reinstall a bumper beam after removal of the trailer hitch will negatively affect vehicle rear crash performance. Please contact your SUBARU dealer.

## 5 REMOVE MUFFLER AND HEAT SHIELD AND PREPARE FRAME

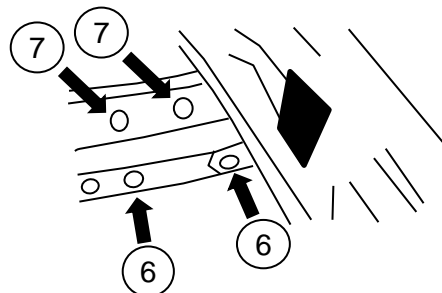
- ① Unbolt the muffler from the exhaust pipe by disconnecting 2 bolts at the flange.
- ② Discard the exhaust gasket and (2) lock nuts
- ③ Remove the muffler by first disengaging the rearmost exhaust hanger, then disengaging the forwardmost exhaust hanger.
- ④ Put the muffler aside for later reinstallation.



- ⑤ Remove (4) heat shield bolts and then remove the heat shield. Retain bolts and heat shield for reinstallation.

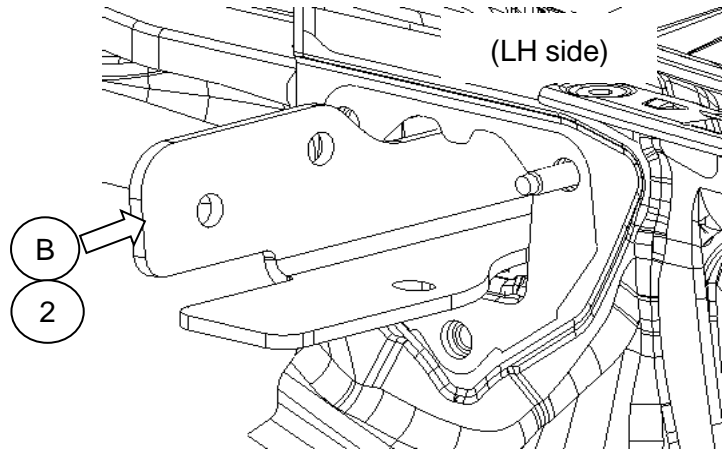
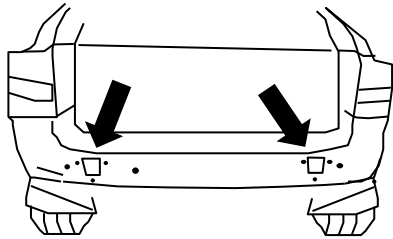


- ⑥ Remove (2) rubber grommets per side from the bottom of the side frame.
- ⑦ Remove (2) rubber grommet per side from the inside of the frame rail.

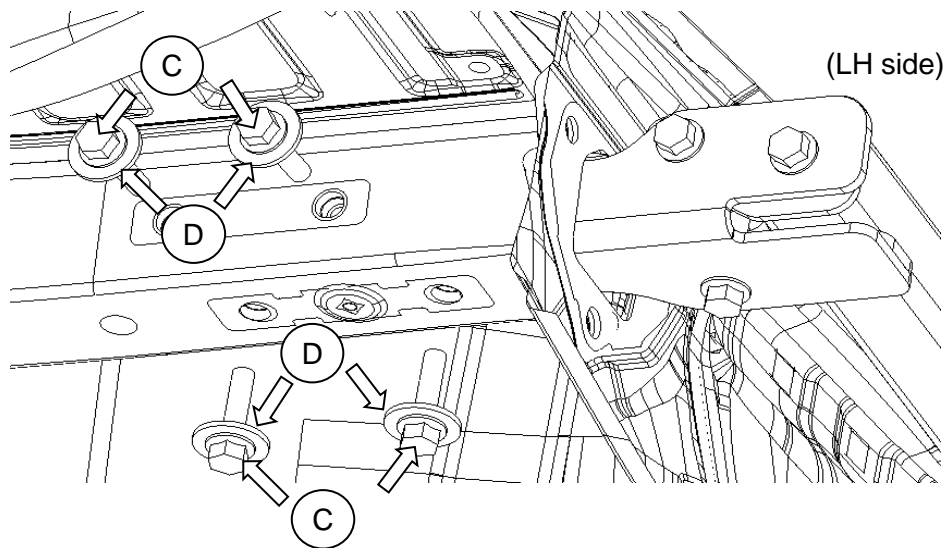


6 INSTALL LH / RH FRAME BRACKET ASSEMBLIES - PART "B"

- ② Place LH and RH welded bracket subassembly "B" into side frame hole opening.

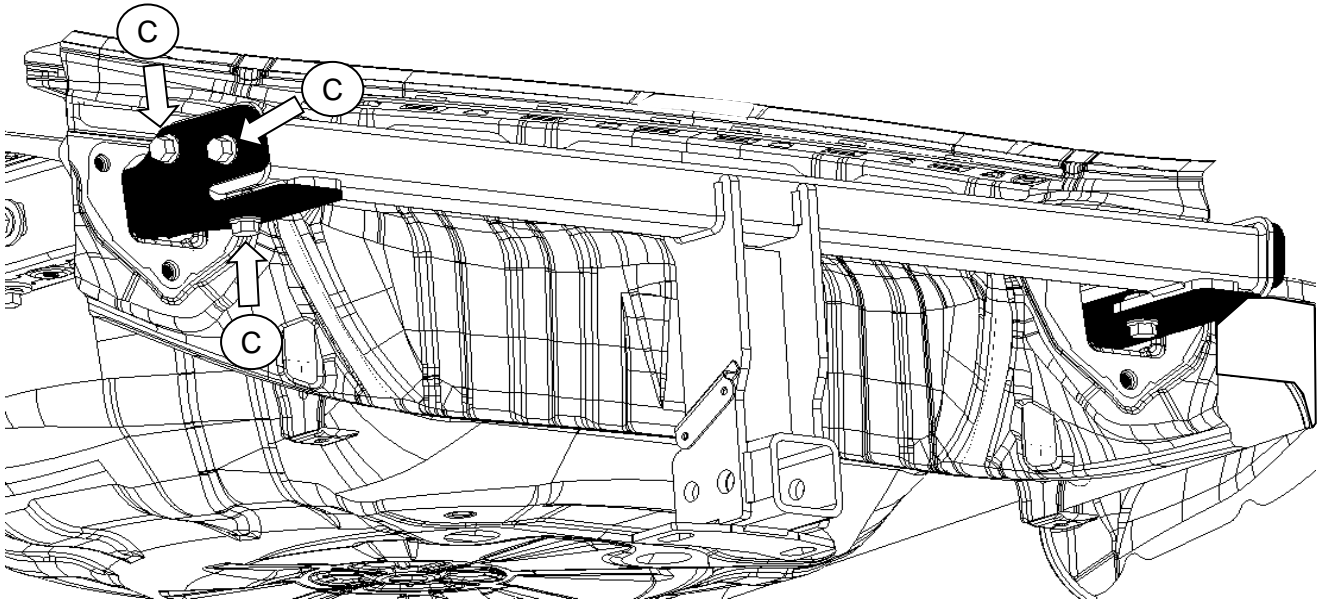


- ③ Align the bracket holes with the holes in the frame rail.
- ④ Loosely install and hand tighten (2) M12 bolt "C" and washer "D" through the bottom of the frame into the (2) frame holes and (2) into the side frame hole. Repeat on the other side of the vehicle.



**7** INSTALL MAIN HITCH MEMBER - PART "A"

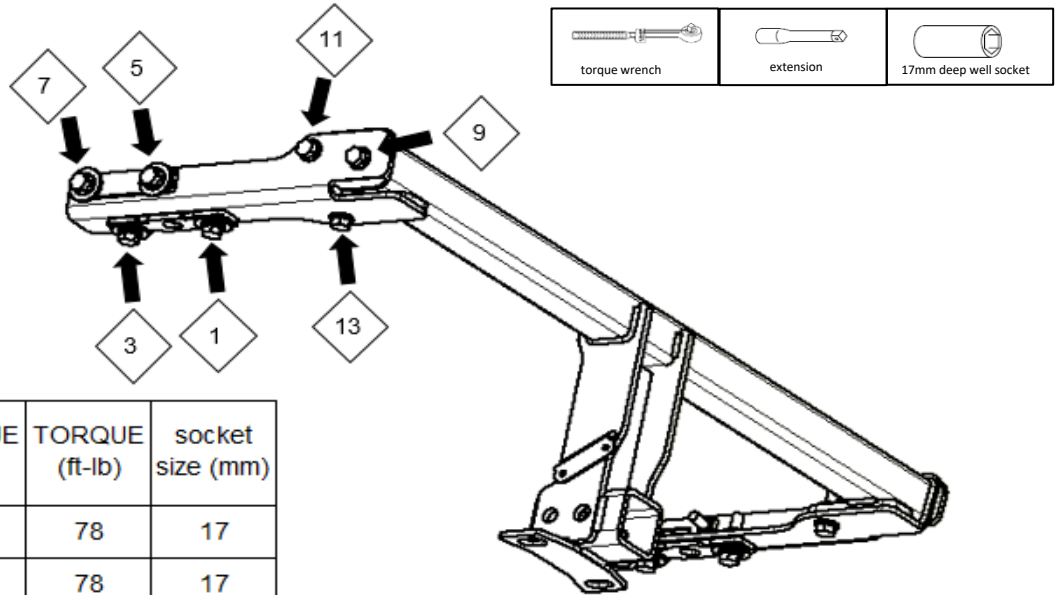
- 1 Install the main hitch "A" between the LH and RH frame bracket subassemblies.
- 2 Loosely install (3) M12 bolt "C" on each side of the hitch tube into the bracket weld nuts



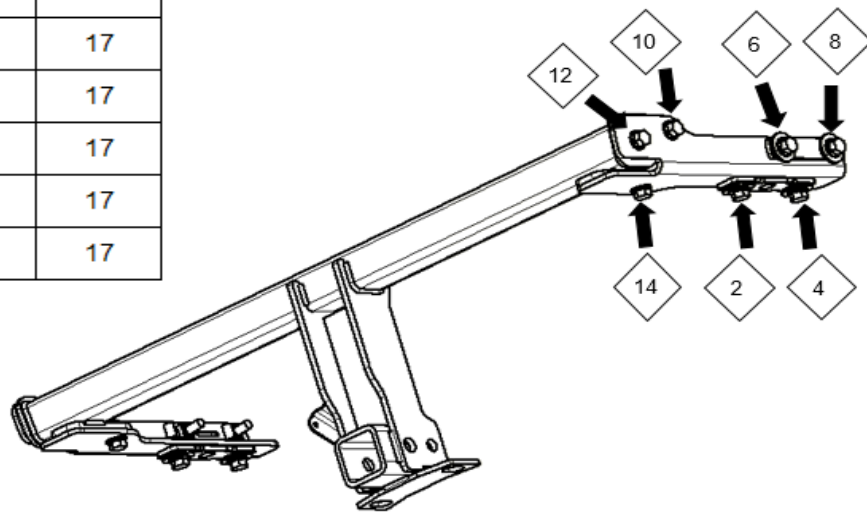
## 8 TORQUE FASTENERS



1 Torque all fasteners in the order and to the torque values as shown in the table

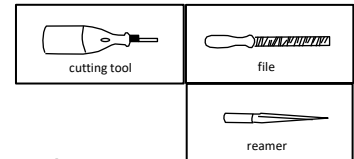
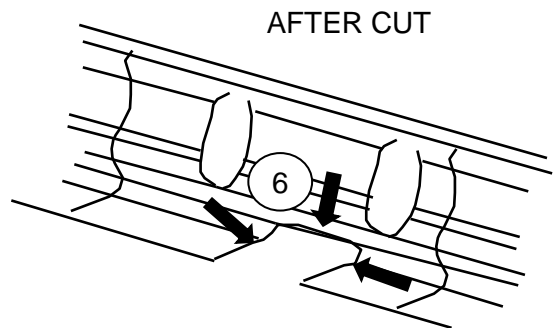
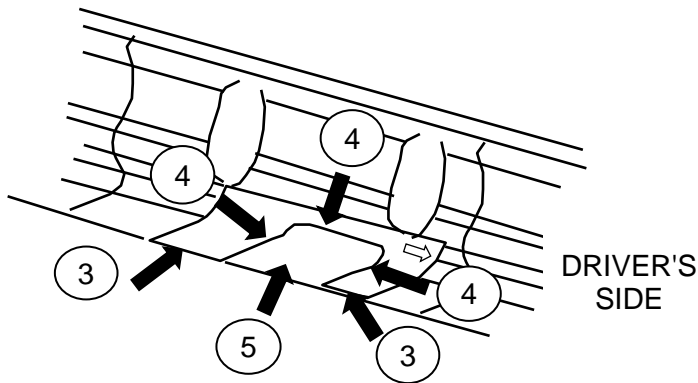


ORDER	TORQUE (Nm)	TORQUE (ft-lb)	socket size (mm)
1	105	78	17
2	105	78	17
3	105	78	17
4	105	78	17
5	105	78	17
6	105	78	17
7	105	78	17
8	105	78	17
9	105	78	17
10	105	78	17
11	105	78	17
12	105	78	17
13	105	78	17
14	105	78	17



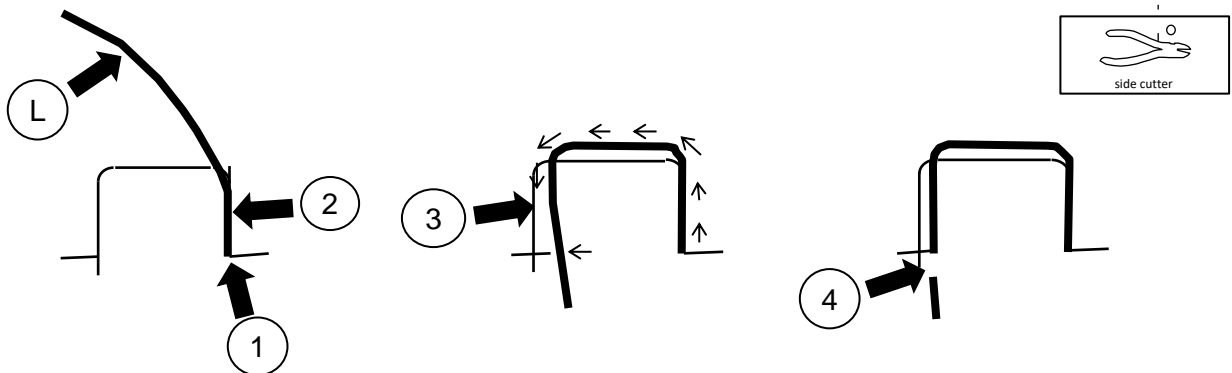
## 9 MODIFYING REAR BUMPER FASCIA

- 1 Move the fascia to a flat area in order to cut the "U" shape for the trailer hitch.
- 2 Choose the correct paper template from the following pages for vehicle trim and prepare as shown on that page.
- 3 Align the edges in the template to the features on the inside of the bumper fascia.
- 4 With the template in place, mark the opening shape.
- 5 Move the fascia to a flat area in order to cut the opening shape for the trailer hitch.
- 6 Remove all burrs and rough edges after the cut is made.

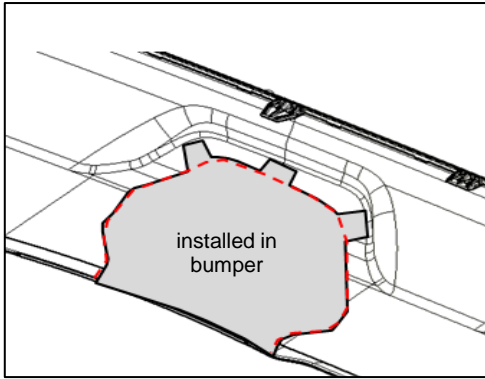


## 10 INSTALLING RUBBER BUMPER TRIM GASKET "M"

- 1 Make sure the starting end of the gasket has a 90° square cut end.
- 2 Starting at one end of the bumper opening, carefully slide the gasket "L" along the edge.
- 3 Continue to wrap around the opening, being sure to create a smooth joint as you go.
- 4 Once the gasket is in place, trim the excess length so that it is even with the edge.



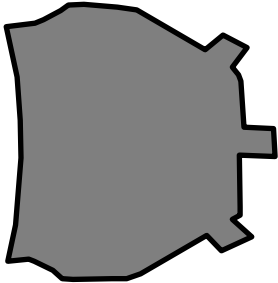
Paper Size: Letter  
Scale: 1:1  
Select "Actual Size" in printer options



BUMPER  
CUT LINE

INSTALL ON INSIDE FACE OF  
BUMPER FASCIA

when complete, template  
should look like this:



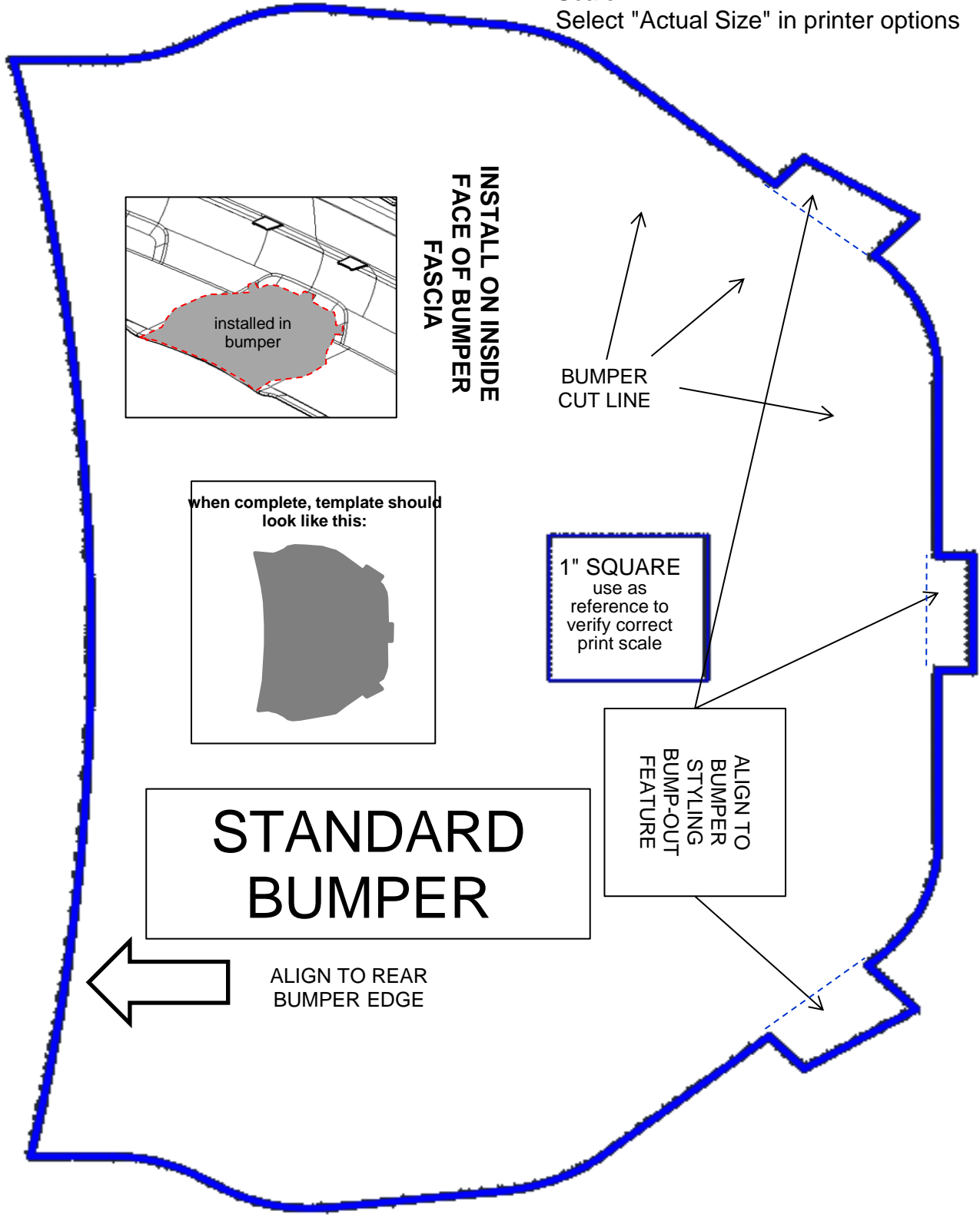
1" SQUARE  
use as  
reference to  
verify correct  
print scale

ALIGN EDGE TO  
BUMPER STYLING  
BUMP-OUT FEATURE

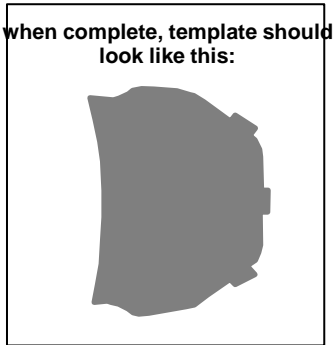
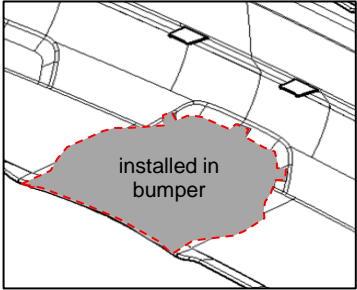
ALIGN TO  
REAR  
BUMPER  
EDGE

WILDERNESS  
BUMPER

Paper Size: Letter  
Scale: 1:1  
Select "Actual Size" in printer options



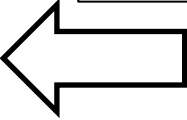
**INSTALL ON INSIDE  
FACE OF BUMPER  
FASCIA**



**1" SQUARE**  
use as  
reference to  
verify correct  
print scale

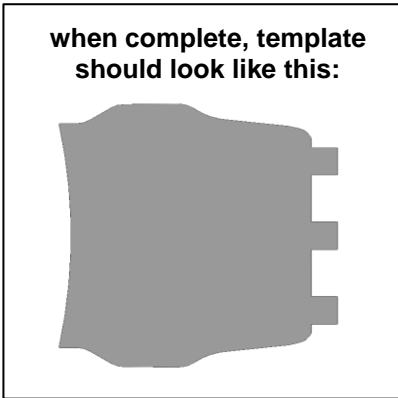
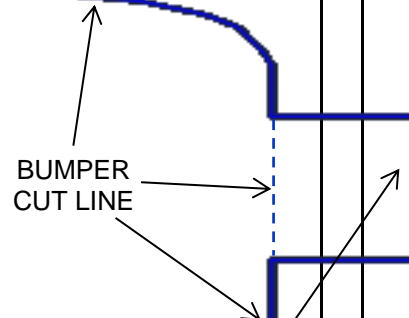
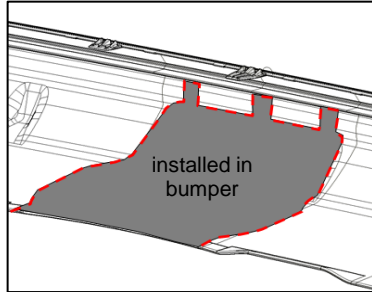
**ALIGN TO  
BUMPER  
STYLING  
BUMP-OUT  
FEATURE**

**STANDARD  
BUMPER**



**ALIGN TO REAR  
BUMPER EDGE**

Paper Size: Letter  
Scale: 1:1  
Select "Actual Size" in printer options



INSTALL ON INSIDE  
FACE OF BUMPER  
FASCIA

1" SQUARE  
use as reference  
to verify correct  
print scale

ALIGN TO  
BUMPER  
STYLING  
BUMP-OUT  
FEATURE

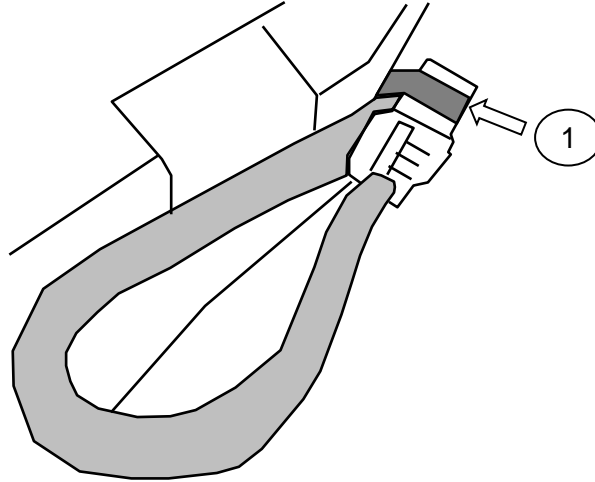
# TOURING BUMPER



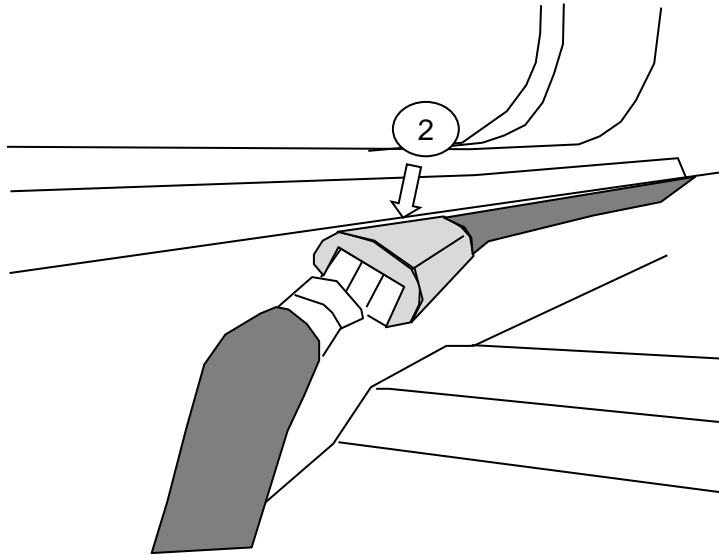
ALIGN TO REAR  
BUMPER EDGE

## 11 WIRING HARNESS INSTALLATION

- 1 Locate vehicle side connector and remove/cut tape to uncoil

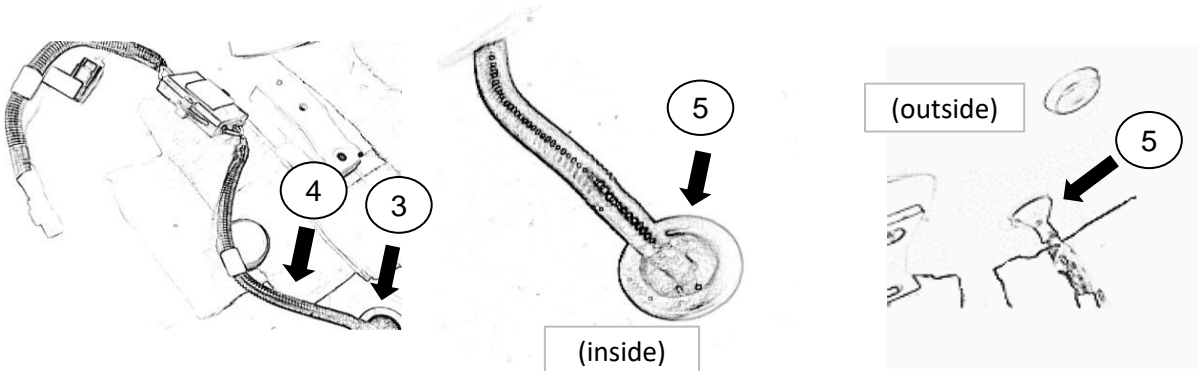


- 2 Mate trailer harness connector "H" to vehicle connector and wrap in foam tape "K".

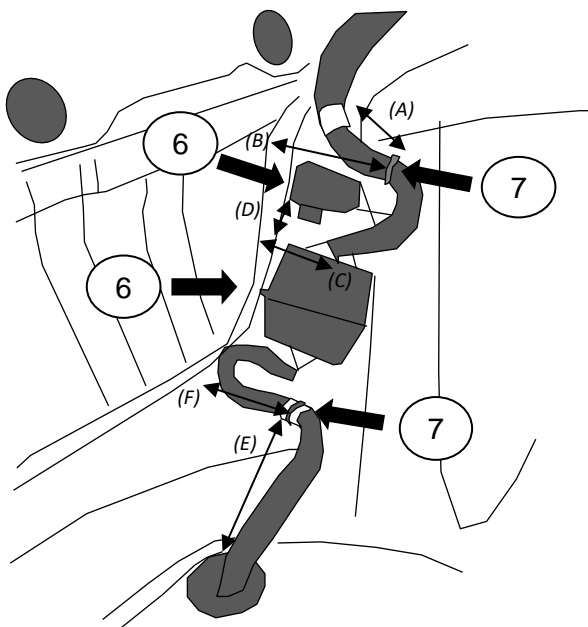


## 11 WIRING HARNESS INSTALLATION (CONT'D)

- 3 Remove plug from trunk floor panel as shown.
- 4 Route the 4-pin connector end of the trailer harness from the inside of the trunk, through the hole to the underside of the vehicle
- 5 Fully seat the rubber grommet into the hole.



- 6 Remove the adhesive line from the fuse and controller module (ECU) and secure to trunk well in locations shown in picture. (Be sure to thoroughly clean the surface before applying tape)
- 7 Route the tube as shown below and then apply adhesive cable tie mounts "J" in the locations shown. (Be sure to thoroughly clean the surface before applying mounts) Use a cable tie "I" to secure the wiring harness to the mounts using the white tape marks on the harness tube as a guide.

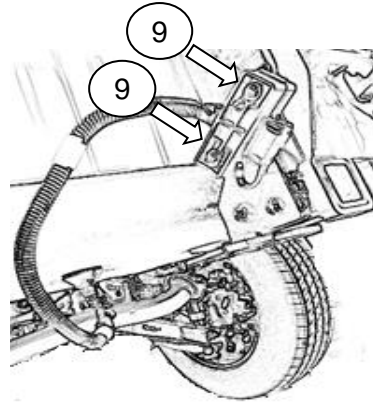
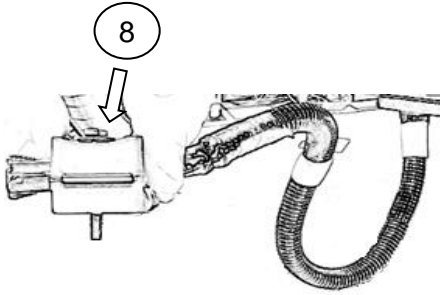


USE THESE DIMENSIONS TO REFERENCE MOUNTING LOCATIONS FOR STEPS 6 & 7

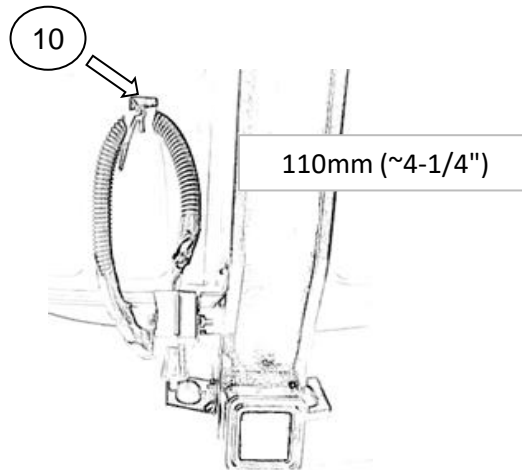
- (A) cable tie mount to tape mark  $\sim 2\text{-}1/8"$  ( $\sim 55\text{mm}$ )
- (B) rear trunk panel to cable tie mount  $\sim 3\text{-}3/8"$  ( $\sim 85\text{mm}$ )
- (C) rear trunk panel to middle of ECU  $\sim 2\text{-}3/8"$  ( $\sim 60\text{mm}$ )
- (D) distance between ECU and fuse holder  $\sim 1\text{-}1/2"$  ( $\sim 40\text{mm}$ )
- (E) edge of grommet to cable tie mount  $\sim 5\text{-}1/2"$  ( $\sim 140\text{mm}$ )
- (F) rear trunk panel to cable tie mount  $\sim 3\text{-}1/2"$  ( $\sim 90\text{mm}$ )

## 11 WIRING HARNESS INSTALLATION (CONT'D)

- 8 Install the 4-pin flat connector into the clam shell mounting connector.
- 9 Using hardware provided, install to trailer hitch wiring mounting bracket.



- 10 Install (1) adhesive back cable tie mounts "J" in the locations shown. (Be sure to thoroughly clean the surface before applying cable tie mount). Use a cable tie "I" to secure the wiring harness to the mounts using the white tape marks on the harness tube as a guide.



## 12 REINSTALLATION OF COMPONENTS

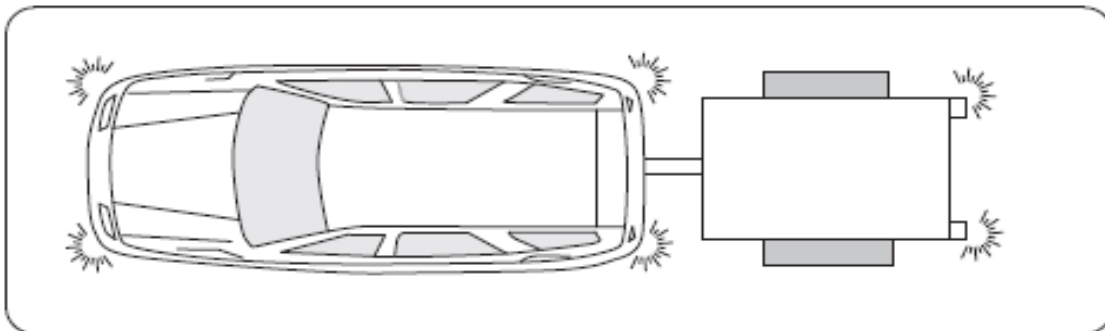
- ① Reinstall heat shield. Torque to 10 Nm (90 in-lb)
- ② Reinstall the muffler using self locking nut "N" and exhaust gasket "O" supplied in kit. Torque the exhaust nuts to  $45\pm 5$  Nm ( $35\pm 4$  ft-lb)
- ③ Reconnect RAB harness
- ④ Reinstall rear bumper fascia.
- ⑤ Reinstall rear tail lights and covers.
- ⑥ Reinstall spare tire and related components.
- ⑦ Replace rear compartment cover.
- ⑧ Place receiver plug "M" into tow hitch receiver neck.

## 13 WIRING HARNESS FUNCTION CHECK

With the ignition on but without starting the engine, perform the following checks sequentially on both the vehicle and trailer lights.

(Turn signals will not work without ignition on the ON position)

- |   |                           |   |                                       |
|---|---------------------------|---|---------------------------------------|
| ① | Turn on headlamps         | → | Tail lights and marker lights are lit |
| ② | Turn on Left Turn signal  | → | Left turn signal is flashing.         |
| ③ | Turn on Right Turn Signal | → | Right turn signal is flashing.        |
| ④ | Apply foot brake          | → | Stop lights are lit.                  |



### 13 WIRING HARNESS FUNCTION CHECK (CONT'D)

With the ignition in the "ON" position (not "START", the engine would not be running) AND the parking brake applied, perform the following checks on both the vehicle and trailer lights.

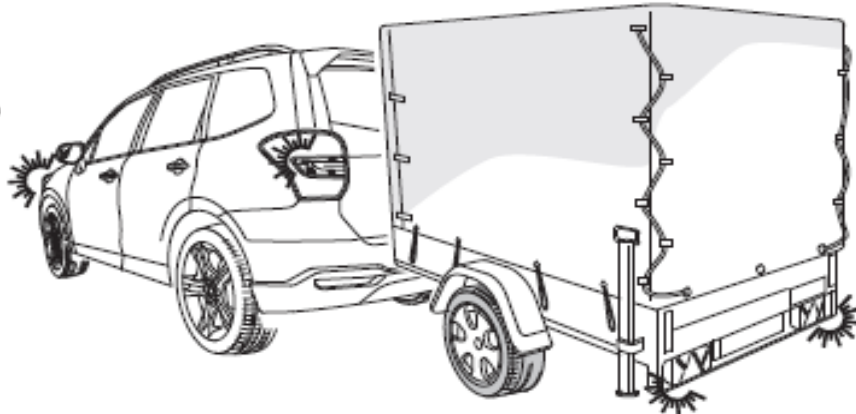


Push "START"

Press the push-button ignition twice without depressing the brake pedal

Perform the following at the same time.

- |  |   |  |
|--|---|--|
| <p>① Apply foot brake<br/>Turn on headlamps<br/>Shift into reverse<br/>Turn on Hazards</p> | → | <p>Stop lights are lit.<br/>Tail lights and marker lights are lit<br/>Backup lights are lit.<br/>Left and right turn signals are flashing.</p> |
|--|---|--|

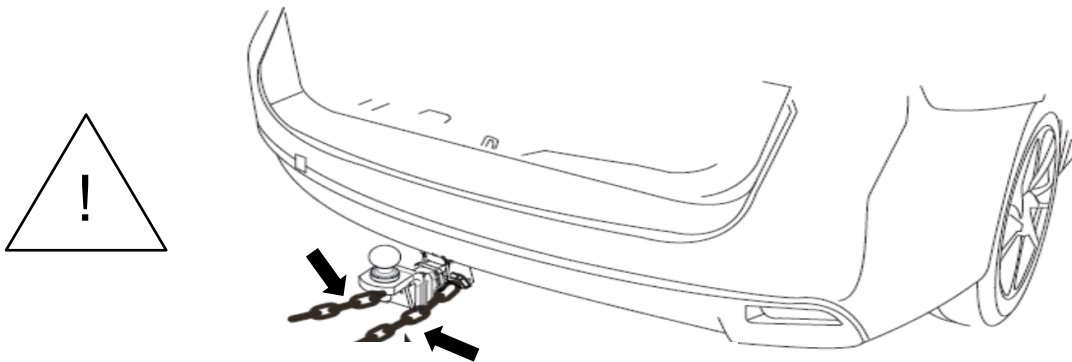


## 14 INSTALLATION INSTRUCTIONS

- 1 These instructions are an official document and an integral part of the trailer hitch. It should be stored in a glove box all the time and handed over with the vehicle if sold.

## 15 SAFETY CHAIN HOOK

- 1 Always use safety chains when towing.



## 16 CAUTION



- 1 For further information, read vehicle's owners manual or consult your dealer or dealer's service department.
- 2 SUBARU accepts no liability for product defects caused by the vehicle owner or other persons and/or incorrect use.
- 3 After the first 600 miles (966 km), please consult with SUBARU dealer to re-check the tightness of Trailer Hitch bolts and/or nuts.
- 4 For models equipped with BSD (Blind Spot Detection) and RCTA (Rear Cross Traffic Alert) driving support systems, when towing a trailer, press BSD/RCTA OFF switch to deactivate the systems. The system may not operate properly due to the blocked radar waves. For details about BSD/RCTA OFF switch, refer to the owners manual "BSD/RCTA OFF switch".
- 5 For models equipped with RAB (Reverse Automatic Braking) system, please consult with SUBARU dealer when towing a trailer.