

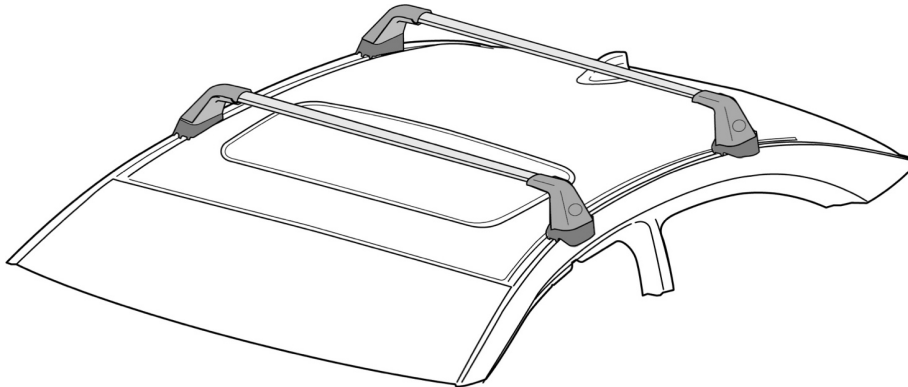


**SUBARU**

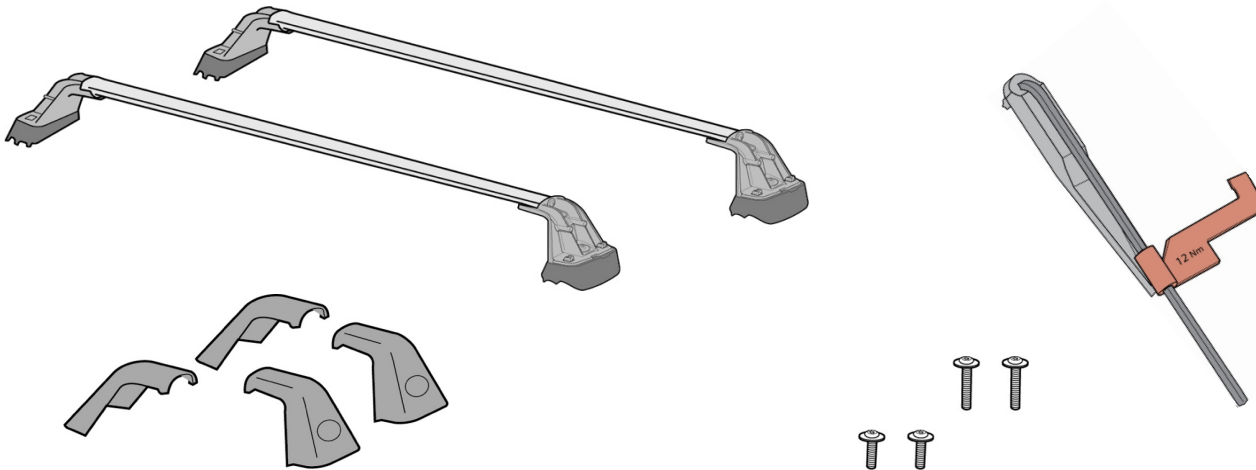
**PART NUMBER: SOA843X026**

**INSTALLATION INSTRUCTIONS**

**DESCRIPTION: 2022 WRX / Sti Cross Bar**



**KIT CONTENTS:**



**MEANING OF CHARACTERS:**



**: CAUTION** – A process that must be carefully observed in order to reduce the risk of damage to the accessory/vehicle and to ensure a quality installation.



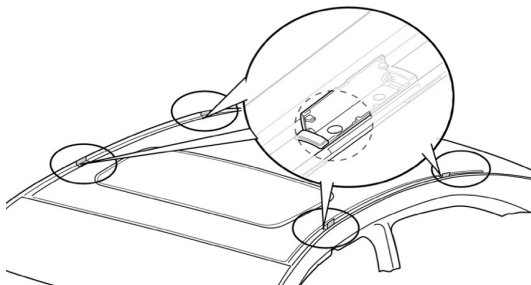
**: STOP** – Damage to the vehicle may occur. Do not proceed until process has been complied with.



**: TOOLS & EQUIPMENT** – Specific tools and equipment recommended for this process.

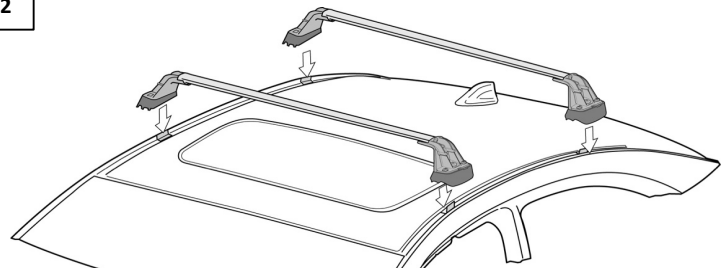
**INSTALLATION INSTRUCTIONS**

**1**



Locate the four mounting points in side rails. Open the cap to expose attaching screw holes. The forward (or front most) hole is the correct mounting hole in all four locations.

**2**



Position cross bars over the attaching holes and lower down on to vehicle roof. Note: Longer bolts are used on rear cross bar.

PART NUMBER:  
SOA843X026

ISSUE  
00

8/26/22

**SUBARU OF AMERICA**

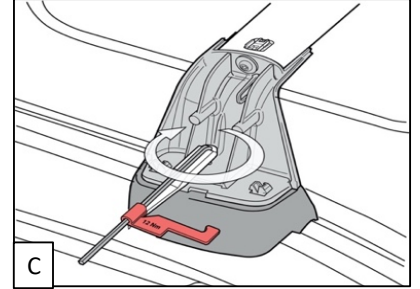
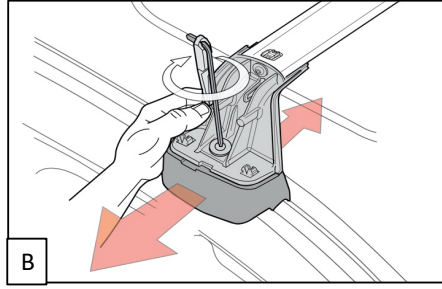
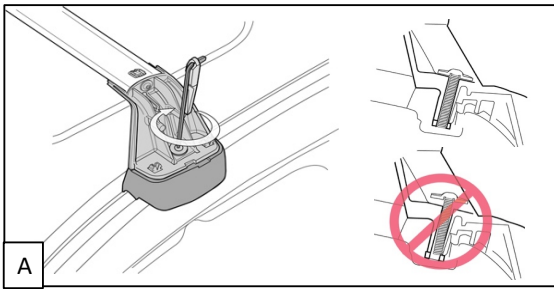
PAGE 1 / 2



**INSTALLATION INSTRUCTIONS**

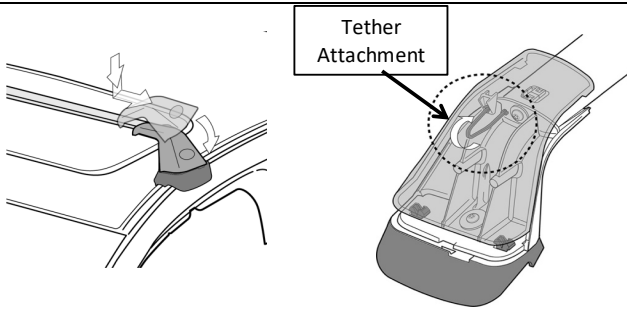
**DESCRIPTION: 2022 WRX / STi Cross Bar**

**3**

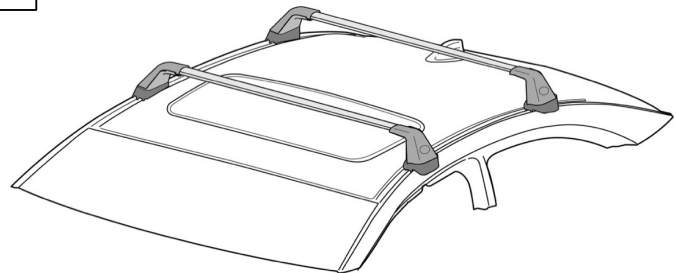


- A. Using the supplied Torque Wrench, tighten the bolt until the washer loosely contacts the stanchion. Do not fully torque yet.
- B. Move to opposite side of the vehicle and visually align stanchion and bracket holes. Hold the stanchion in place and tighten the bolt using the Torque Wrench, tighten the bolt until the washer loosely contacts the stanchion.
- C. Using Torque Wrench, tighten both bolts to 12Nm. Repeat steps (A-C) on remaining crossbar.

**4**



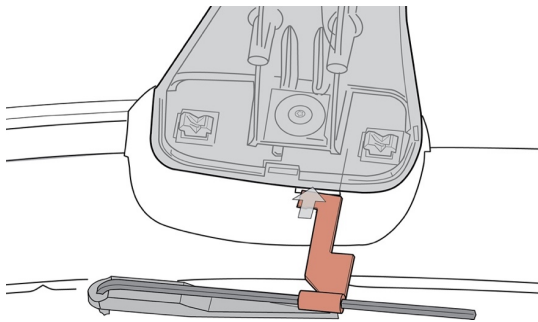
**5**



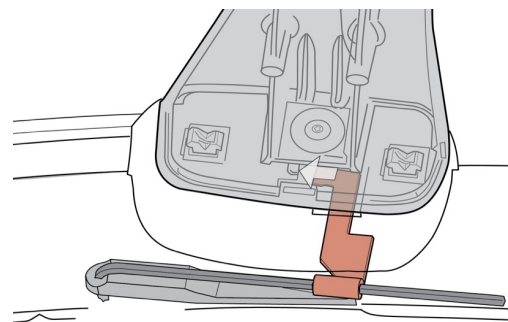
Attach the tethers from stanchion to cover. Lower the end cap covers onto the crossbar and slide outward to engage the tangs. Rotate downwards to fully snap cover into position.

**REMOVING CROSS BARS**

**6**



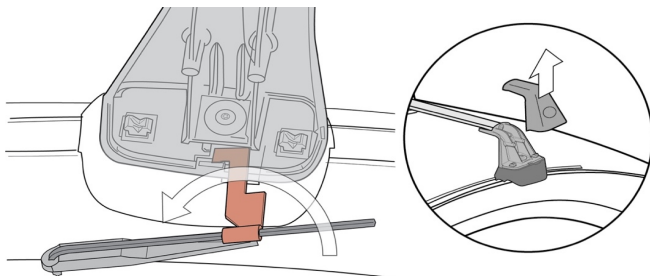
**7**



Using the supplied torque wrench, insert the red tab into the slot as shown. Slide tool in until it makes contact with the L on the casting

Slide tool sideways to get the "hook" behind the cover's tab.

**8**



Rotate the tool using the Allen wrench as a handle to push the back of the tool against the L and the "hook" against the cover tab until the tab pops loose.